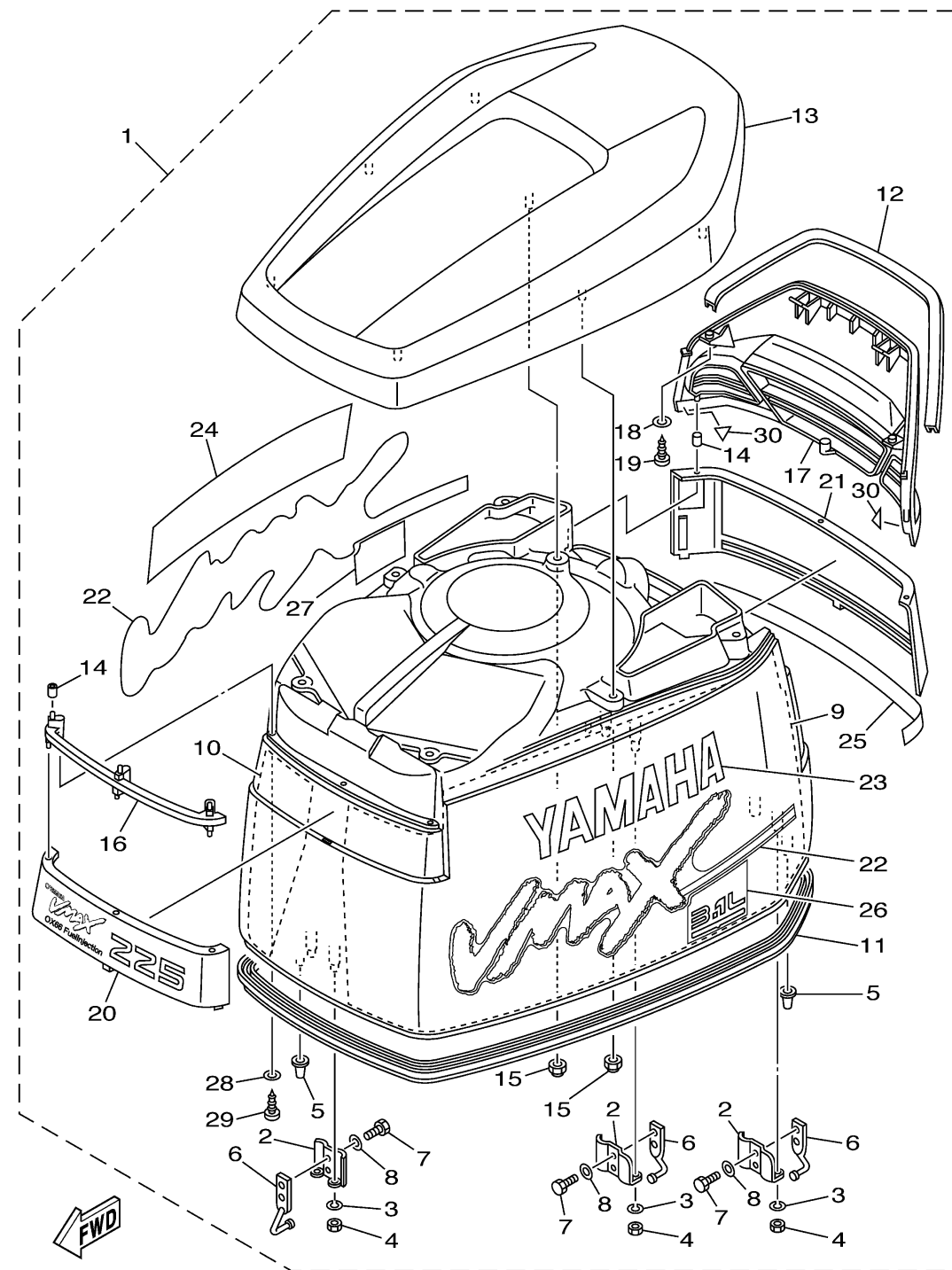


TOP COWLING

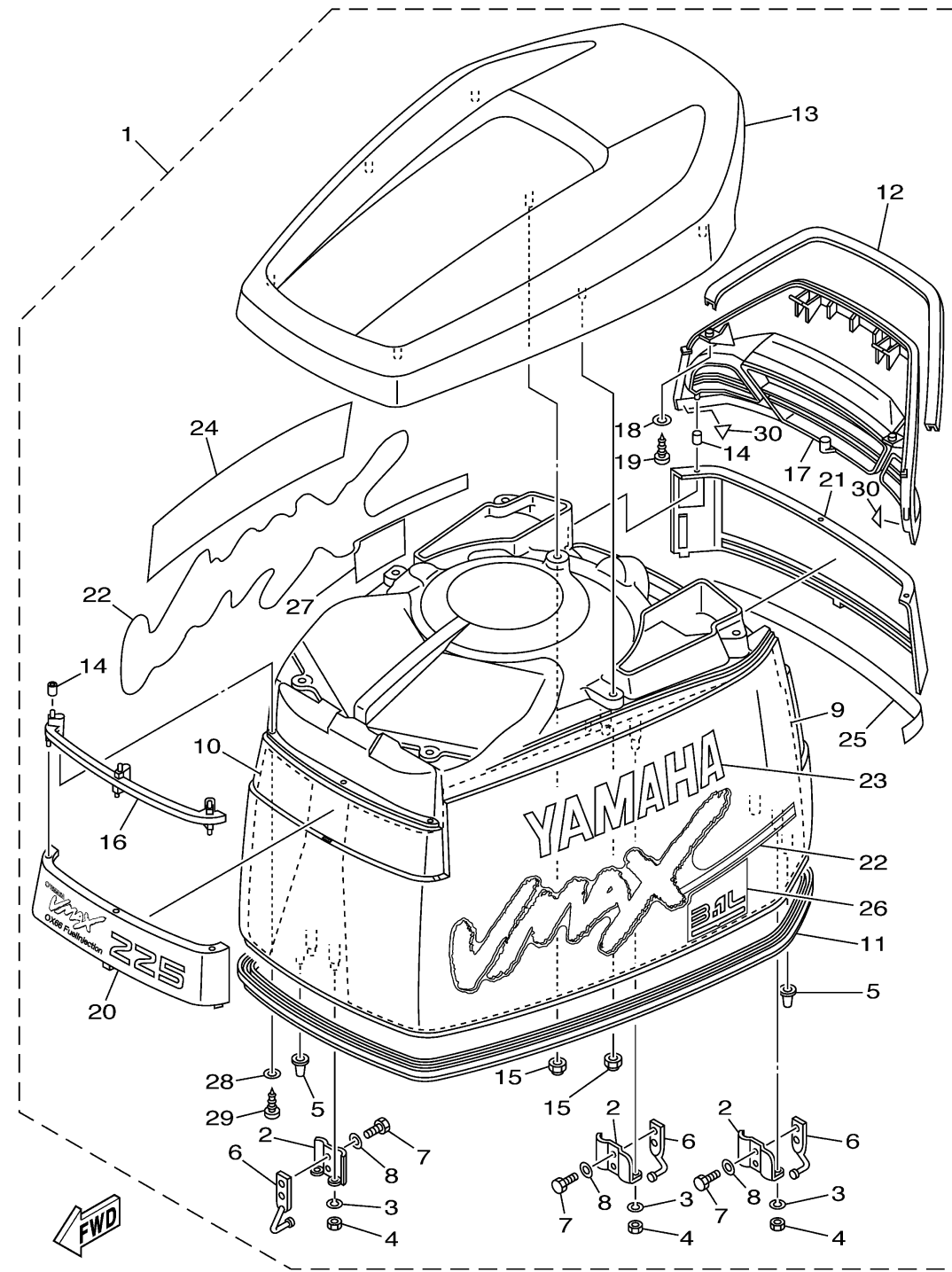


Ref No.	Part Number	Description	Qty	Remarks
1	66X-42610-P0-NA	TOP COWLING ASSY	1	
2	6R3-42647-00-00	..HOLDER, CLAMP BAND	3	
3	92990-06100-00	..WASHER, SPRING	6	
4	95380-06600-00	..NUT, HEXAGON	6	
5	6R3-42662-00-00	..DAMPER	3	
6	6R3-42814-00-00	..HOOK, CLAMP	3	
7	97095-06012-00	..BOLT	6	
8	92995-06600-00	..WASHER	6	
9	61A-42619-02-00	..DAMPER, FORM	1	
10	61A-42627-02-00	..DAMPER, FORM	1	
11	61A-42615-01-00	..SEAL	1	
12	66K-42662-00-00	..DAMPER	1	
13	66K-42613-00-NA	..MOLDING, AIR DUCT	1	
14	90385-04M05-00	..BUSH	6	
15	90179-06M24-00	..NUT	7	
16	61A-42626-00-00	..LOUVER, 1	1	
17	66K-42636-00-NA	..LOUVER 2	1	
18	92990-05200-00	..WASHER, PLAIN	4	
19	97780-50616-00	..SCREW, TAPPING	4	
20	66X-42686-P0-00	..EMBLEM, FRONT	1	

CONTINUED ON NEXT FRAME >

66X1010-2010

TOP COWLING



66X1010-2010

Ref No.	Part Number	Description	Qty	Remarks
21	66X-42687-N0-00	. .EMBLEM, REAR	1	
22	66K-W0070-N0-00	. .GRAPHIC SET	1	
23	66K-42681-N0-00	. .MARK, COWLING	1	
24	66K-42682-N0-00	. .MARK, COWLING	1	
25	66K-4267A-N0-00	. .GRAPHIC, REAR 2	1	
26	66K-42683-N1-00	. .MARK, COWLING	1	
27	66K-42684-N1-00	. .MARK, COWLING	1	
28	92990-04600-00	. .WASHER, PLATE	3	
29	97780-40520-00	. .SCREW, TAPPING	3	
30	66K-42628-00-00	. .SEAL	2	