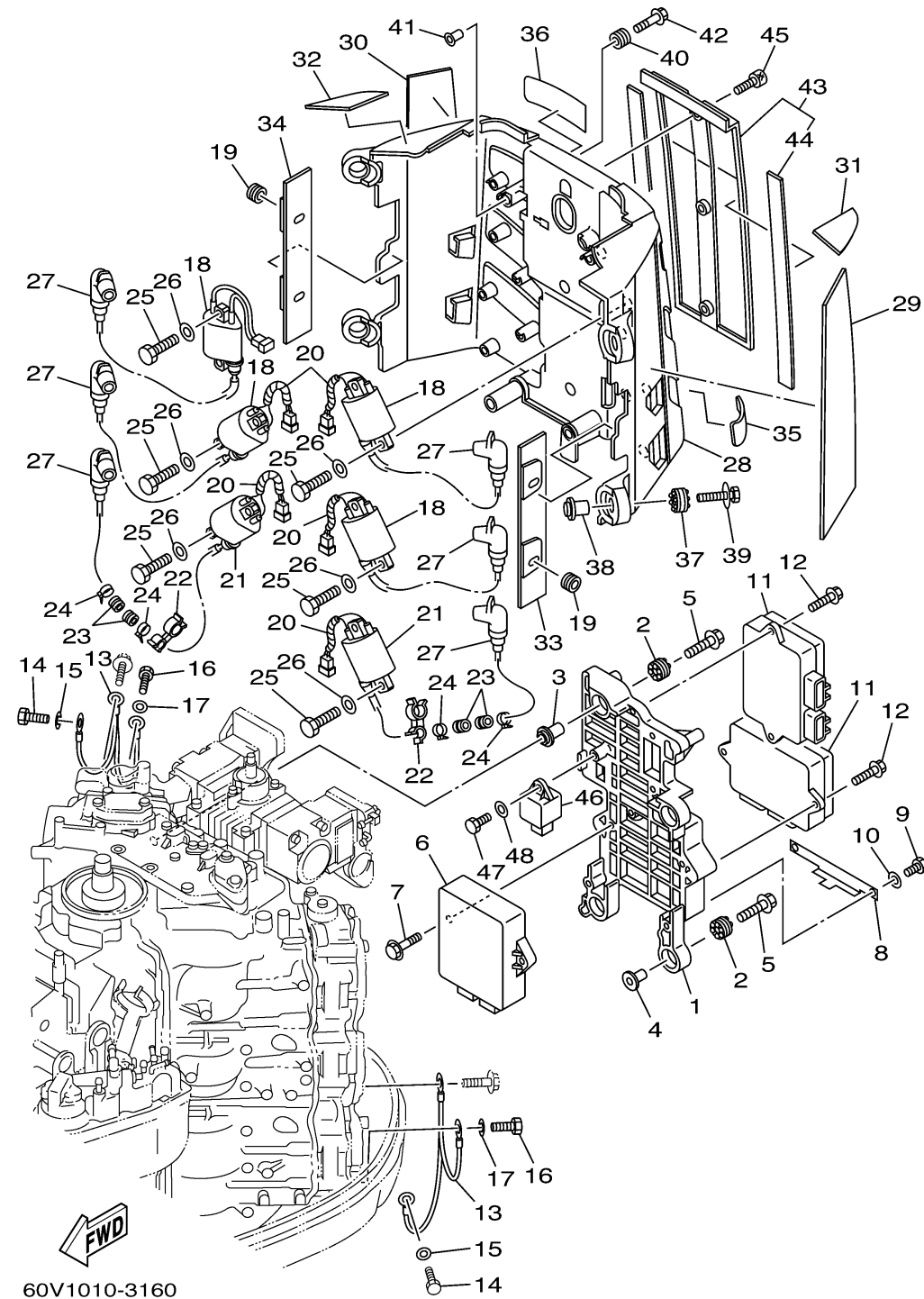


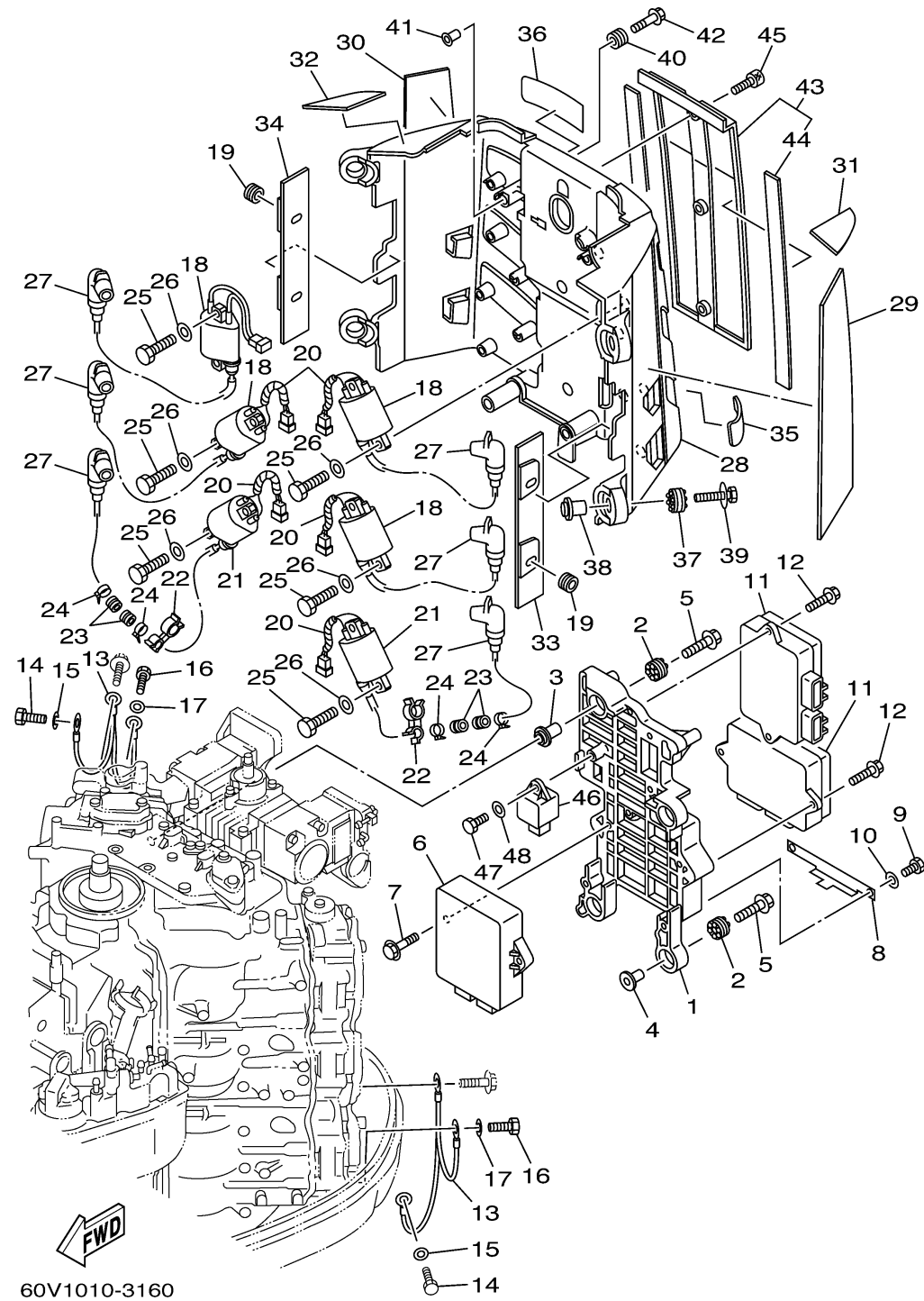
ELECTRICAL 1

Ref No.	Part Number	Description	Qty	Remarks
1	60V-85542-01-94	BRACKET	1	
2	60V-85564-00-00	GROMMET	4	
3	68F-86129-00-00	COLLAR	2	
4	68F-86129-10-00	COLLAR	2	
5	68F-85119-00-00	BOLT	4	
6	60X-8591A-10-00	ENGINE CONTROL UNIT ASSY	1	UR VZ250
6	6P5-8591A-00-00	ENGINE CONTROL UNIT ASSY	1	UR VZ200
6	60Y-8591A-10-00	ENGINE CONTROL UNIT ASSY	1	UR VZ225
7	90119-06MA3-00	BOLT, WITH WASHER	2	
8	60V-85548-00-00	HOLDER	1	
9	97013-06014-00	BOLT	2	
10	92903-06600-00	WASHER, PLATE	2	
11	60V-8591B-00-00	DRIVER, INJECTOR ASSY	2	
12	90119-06MA2-00	BOLT, WITH WASHER	4	
13	6E5-82519-00-00	WIRE, EARTH LEAD	2	
14	97095-06012-00	BOLT	2	
15	92995-06600-00	WASHER	2	
16	97095-06012-00	BOLT	2	
17	92995-06600-00	WASHER	2	
18	60V-82310-00-00	IGNITION COIL ASSY	4	

CONTINUED ON NEXT FRAME >



ELECTRICAL 1



Ref No.	Part Number	Description	Qty	Remarks
19	90480-25161-00	GROMMET	4	
20	90446-10M01-00	HOSE (L60)	5	
21	60V-82310-10-00	IGNITION COIL ASSY	2	
22	90464-18003-00	CLAMP	2	
23	90480-22M15-00	GROMMET	4	
24	90465-11M10-00	CLAMP	4	
25	97013-05020-00	BOLT	12	
26	92903-05600-00	WASHER, PLATE	12	
27	68F-82370-01-00	PLUG CAP ASSY	6	
28	60V-82314-01-00	COVER, IGNITION COIL	1	
29	60V-24198-00-00	SEAT, RUBBER	1	
30	60V-24198-10-00	SEAT, RUBBER	1	
31	60V-8818D-00-00	SEAT 1	1	
32	60V-8818D-10-00	SEAT 1	1	
33	60V-23116-00-00	SEAT 2	1	
34	60V-23116-10-00	SEAT 2	1	
35	60V-2318U-00-00	PLATE, SEAT	3	
36	60V-2318U-10-00	PLATE, SEAT	3	
37	68F-85516-01-00	SPACER	4	
38	68F-86129-10-00	COLLAR	4	

CONTINUED ON NEXT FRAME >

ELECTRICAL 1

Ref No.	Part Number	Description	Qty	Remarks
39	68F-85119-00-00	BOLT	4	
40	6A0-82317-00-00	DAMPER, IGNITION COIL	4	
41	624-42542-00-00	PIPE	4	
42	90119-06M65-00	BOLT, WITH WASHER	4	
43	60V-8252U-01-00	COVER	1	
44	60V-23115-00-00	..SEAT 1	2	
45	90111-06034-00	BOLT,HEX. SOCKET BUTTON	3	
46	68V-81950-00-00	RELAY ASSY	1	
47	97095-06016-00	BOLT	1	
48	92995-06600-00	WASHER	1	

