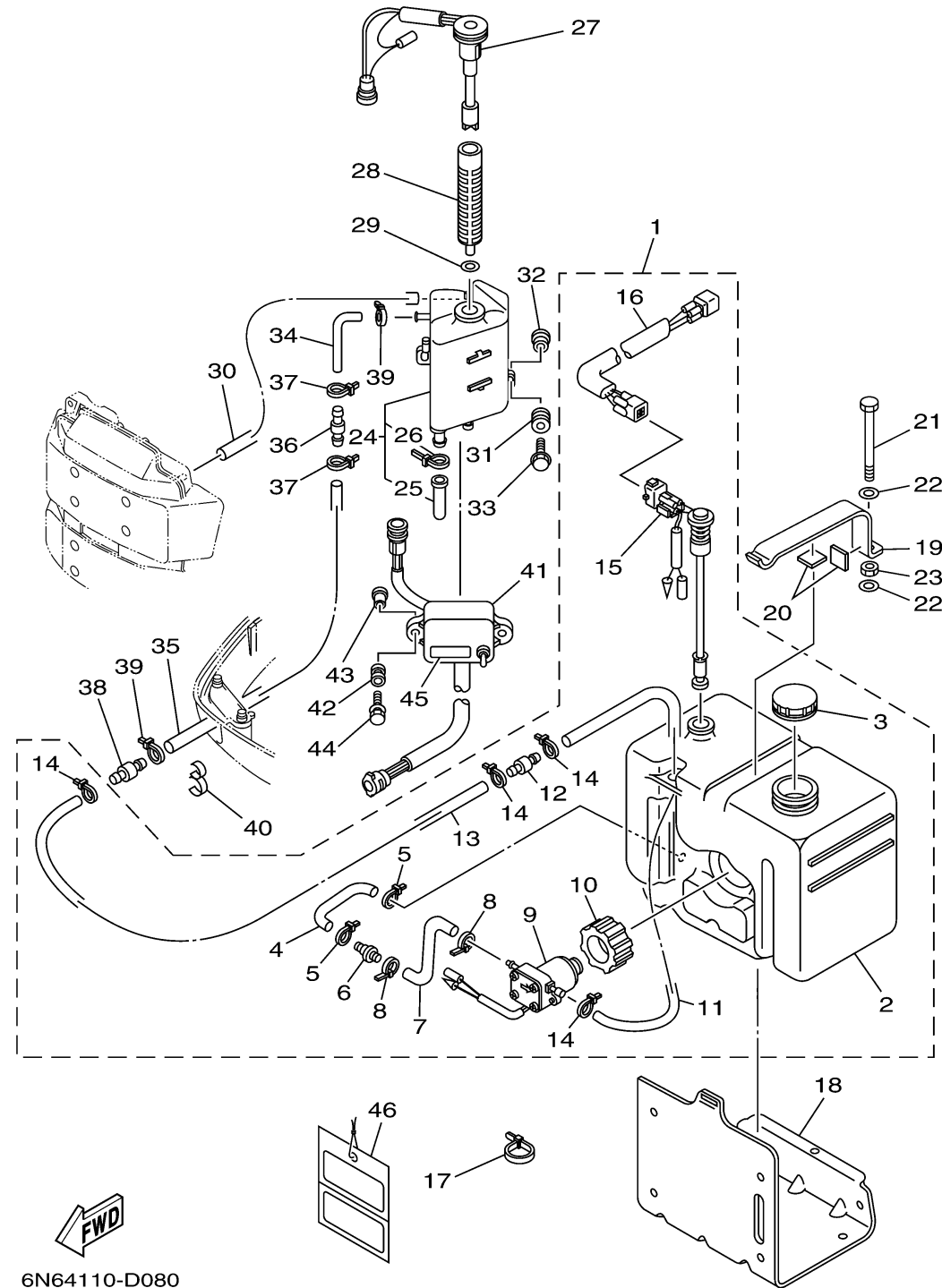


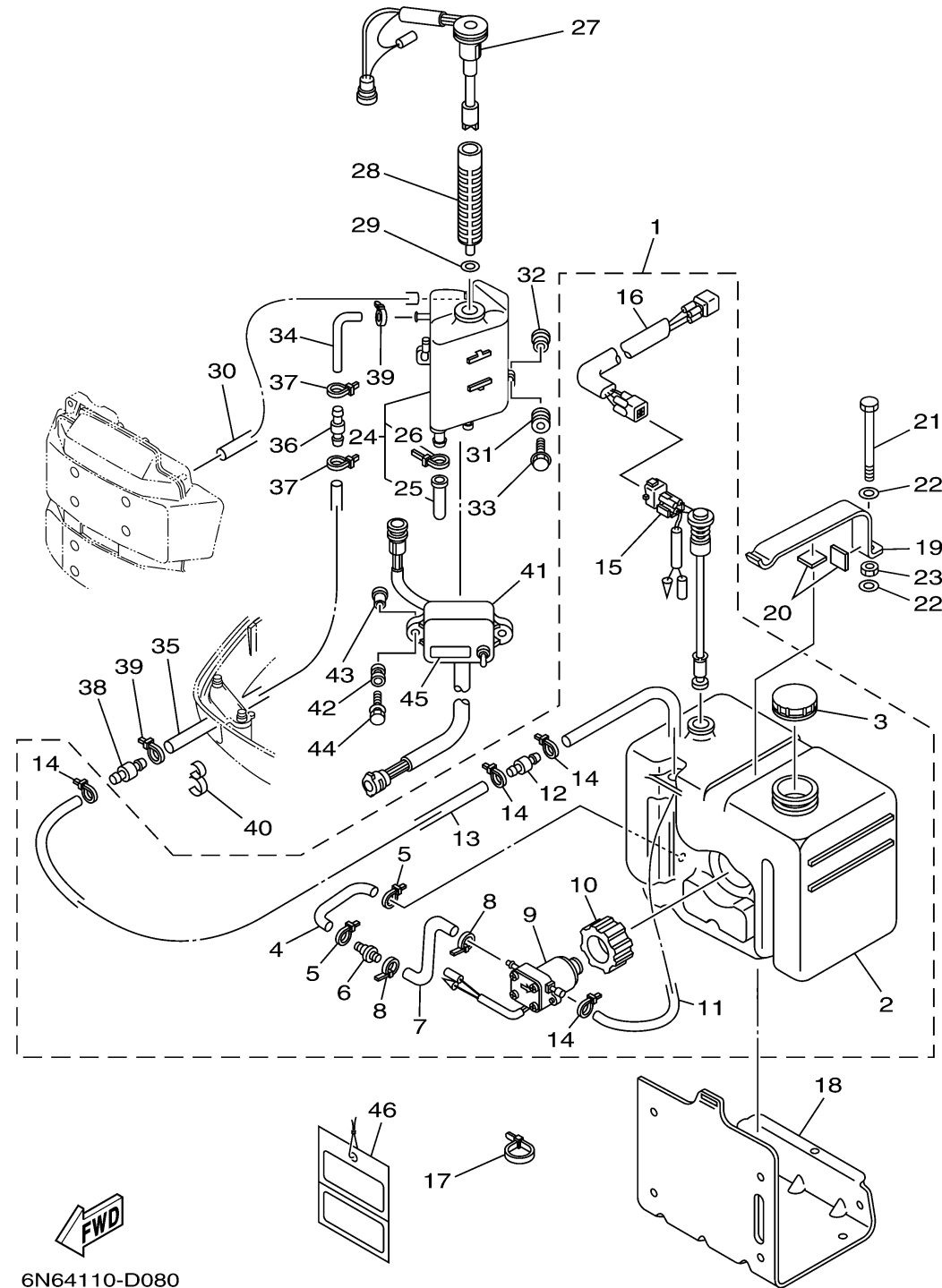
# OIL TANK



Ref No.	Part Number	Description	Qty	Remarks
1	61A-21708-20-00	SUB OIL TANK ASSY	1	
2	6E5-21733-20-00	..SUB TANK, OIL (10.5L)	1	
3	6E5-21770-03-00	..OIL TANK CAP ASSY	1	
4	6E5-24322-00-00	..PIPE 11	1	
5	90465-11M10-00	..CLAMP	2	
6	646-24251-02-00	..STRAINER 1	1	
7	6E5-24319-01-00	..PIPE, OIL	1	
8	90465-11M10-00	..CLAMP	2	
9	6E5-81900-01-00	..OIL FEED PUMP ASSY	1	
10	6E5-81922-00-00	..GROMMET	1	
11	6E5-24321-01-00	..PIPE 10	1	
12	6E5-24379-00-00	..PIPE, JOINT 4	1	
13	90445-11M26-00	..HOSE (L6500)	1	
14	90465-11M10-00	..CLAMP	4	
15	6E5-85720-05-00	..OIL LEVEL GAUGE ASSY	1	
16	6R3-85721-80-00	..WIRE, LEAD (L=8.0M)	1	
17	90465-13M11-00	CLAMP	1	
18	6E5-21734-01-33	HOLDER, OIL SUB TANK	1	
19	6E5-21798-01-33	BRACKET, DAMPER	1	
20	6E5-21746-00-00	DAMPER	2	

CONTINUED ON NEXT FRAME >

# OIL TANK



Ref No.	Part Number	Description	Qty	Remarks
21	97080-06100-00	BOLT	1	
22	92990-06600-00	. WASHER, PLATE	2	
23	95380-06600-00	. NUT, HEXAGON	1	
24	6E5-21750-05-00	OIL TANK ASSY	1	
25	6E5-13448-00-00	. .CAP	1	
26	90465-13M11-00	. CLAMP	1	
27	6G7-85730-04-00	OIL LEVEL GAUGE ASSY	1	
28	6E5-13411-00-00	STRAINER, OIL	1	
29	6E5-13414-00-00	GASKET, STRAINER COVER	1	
30	90445-05M02-00	HOSE (L380)	1	
31	6A0-82317-00-00	DAMPER, IGNITION COIL	3	
32	90387-06119-00	COLLAR	3	
33	90119-06M65-00	BOLT, WITH WASHER	3	
34	64E-24323-00-00	PIPE 12	1	
35	90445-12207-00	HOSE (L2400)	1	
36	6E5-24379-00-00	PIPE, JOINT 4	1	
37	90465-11M10-00	CLAMP	2	
38	6E5-24379-00-00	PIPE, JOINT 4	1	
39	90465-11M10-00	CLAMP	2	
40	90464-13M34-00	CLAMP	1	

CONTINUED ON NEXT FRAME >

# OIL TANK

Ref No.	Part Number	Description	Qty	Remarks
41	6N7-85740-00-00	CONTROL UNIT ASSY	1	
42	6A0-82317-00-00	DAMPER, IGNITION COIL	2	
43	90387-06119-00	COLLAR	2	
44	90119-06M65-00	BOLT, WITH WASHER	2	
45	6E5-85711-40-00	MARK, CAUTION	1	
46	61H-2819R-31-00	TAG, WARNING	1	

