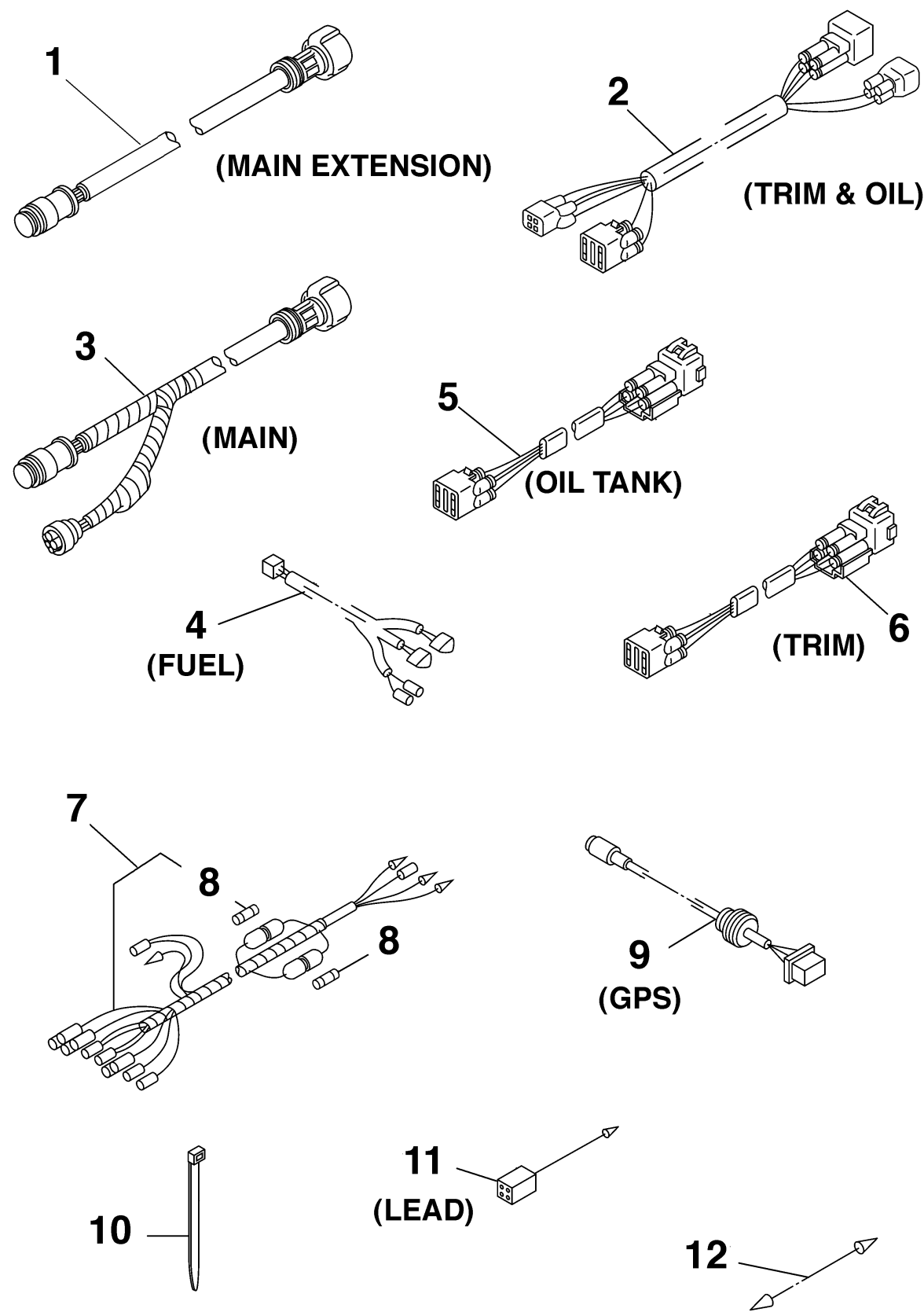


# ELECTRICAL WIRE HARNESSSES

Ref No.	Part Number	Description	Qty	Remarks
1	703-8258A-00-00	EXTENSION, WIRE HARNESS (0.5M)	1	7 TO 10 PIN ADAPTER
1	688-8258A-30-00	EXTENSION, WIRE HARNESS (3M)	1	EXTENSION, MAIN
1	688-8258A-10-00	EXTENSION, WIRE HARNESS (2M)	1	EXTENSION, MAIN
1	688-8258A-20-00	. .EXTENSION, WIRE HARNESS (4.9M)	1	EXTENSION, MAIN
2	68F-82553-70-00	EXTENSION, WIRE LEAD (L=7.0M)	1	TRIM & OIL GAUGE
2	68F-82553-90-00	EXTENSION, WIRE LEAD (L=9.5M)	1	TRIM & OIL GAUGE
2	68F-82553-50-00	EXTENSION, WIRE LEAD (L=5.0M)	1	TRIM & OIL GAUGE
2	68F-82553-80-00	EXTENSION, WIRE LEAD (L=8.0M)	1	TRIM & OIL GAUGE
2	68F-82553-60-00	TRIM HARNESS 6M (20')	1	TRIM & OIL GAUGE
3	61B-8258A-01-00	EXTENSION, WIRE HARNESS (9.5M)	1	AP (10P)
3	6X3-8258A-10-00	EXTENSION, WIRE HARNESS (6M)	1	MAIN 10 PIN
3	6X3-8258A-00-00	EXTENSION, WIRE HARNESS (5M)	1	MAIN 10 PIN
3	688-8258A-40-00	EXTENSION, WIRE LEAD (8M)	1	AP (10P)
3	6K1-8258A-40-00	EXTENSION, WIRE HARNESS (8M)	1	MAIN 10 PIN
3	688-8258A-50-00	EXTENSION, WIRE HARNESS (5M)	1	MAIN 10 PIN
4	6Y5-83553-F1-00	WIRE, LEAD (L=8.0M)	1	AP
5	6R3-85721-50-00	WIRE, LEAD (L=5.0M)	1	OIL TANK
5	6R3-82553-70-00	EXTENSION, WIRE LEAD (L=7.0M)	1	AP RP, 7M
5	6R3-85721-80-00	WIRE, LEAD (L=8.0M)	1	OIL TANK
5	6R3-85721-30-00	WIRE, LEAD (L=3.0M)	1	OIL TANK

CONTINUED ON NEXT FRAME >



# ELECTRICAL WIRE HARNESSSES

Ref No.	Part Number	Description	Qty	Remarks
6	6R3-82553-80-00	EXTENSION, WIRE LEAD (L=8.0M)	1	TRIM GAUGE
6	6R3-82553-50-00	EXTENSION, WIRE LEAD (L=5.0M)	1	TRIM GAUGE
6	6R3-82553-30-00	EXTENSION, WIRE LEAD (L=3.0M)	1	TRIM GAUGE
6	6R3-85721-70-00	WIRE, LEAD	1	AP 7M
6	6R3-82553-70-00	EXTENSION, WIRE LEAD (L=7.0M)	1	TRIM GAUGE
7	6Y5-83553-N0-00	WIRE, LEAD (L=2.5M)	1	
8	1E6-82151-00-00	. . FUSE (10A)	1	
9	6Y5-87122-S0-00	. . . CORD ASSY 1	1	
9	6Y5-97122-S0-00	. . CORD ASSY 1	1	
10	90450-11M10-00	CLAMP	2	AP
11	6Y5-82149-00-00	WIRE, LEAD (BLUE) (L300)	1	Y-LEAD
11	6Y5-82117-00-00	WIRE, LEAD (BLACK) (L300)	1	Y-LEAD
11	6Y5-82521-00-00	WIRE, LEAD (YELLOW)	1	Y-LEAD
12	703-82531-00-00	. WIRE, LEAD (L70)	1	AP

