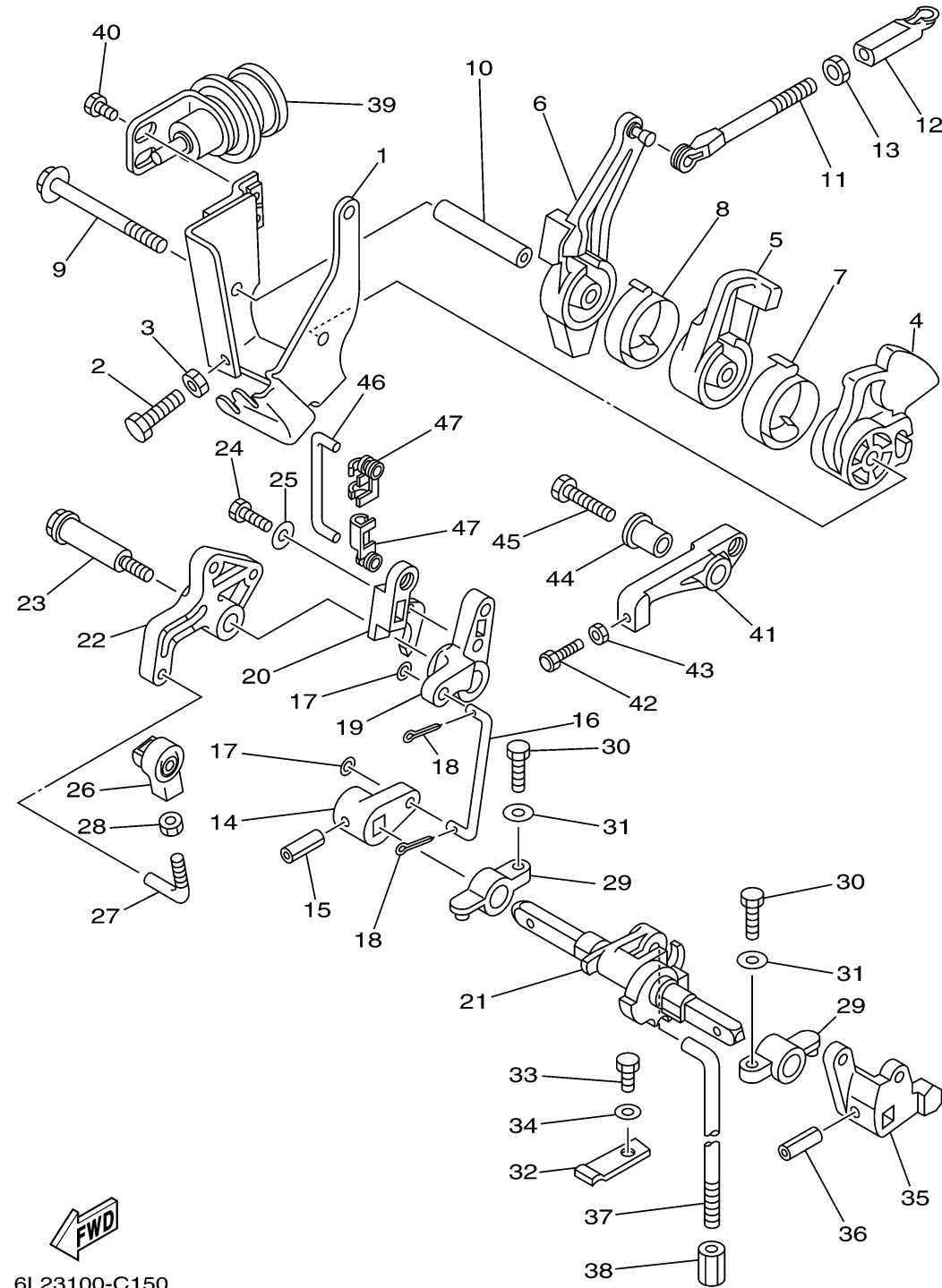


# CONTROL 1

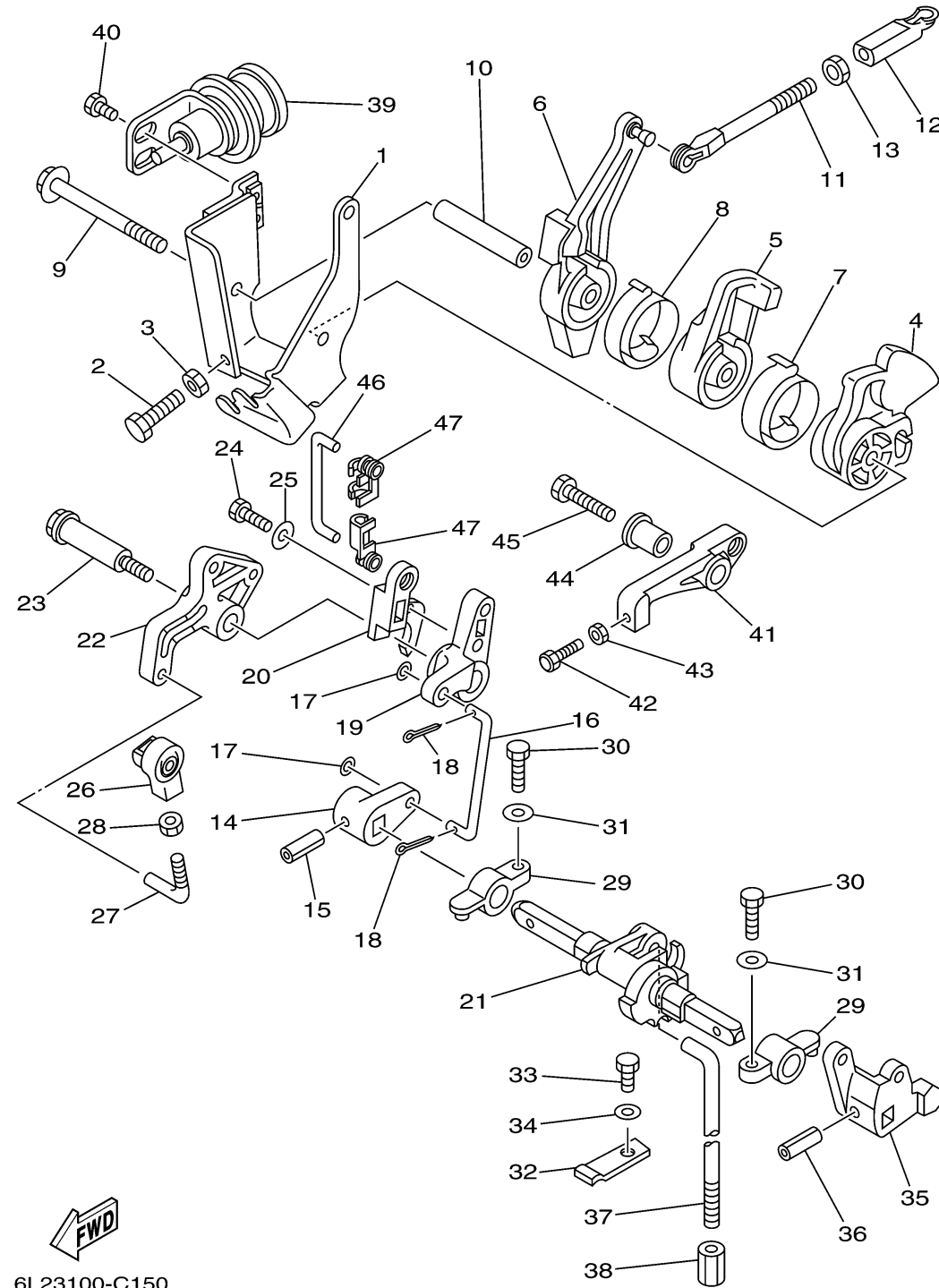


6L23100-C150

Ref No.	Part Number	Description	Qty	Remarks
1	6L2-14497-00-00	STAY, THROTTLE WIRE	1	
2	97095-06020-00	BOLT	1	
3	95380-06700-00	NUT	1	
4	6L2-41213-00-00	CAM, ACCEL.	1	
5	6L2-41283-00-00	LEVER, FREE ACCEL.	1	
6	6L2-41631-00-00	LEVER, MAGNETO CONTROL	1	
7	6J8-42167-00-00	SPRING 1	1	
8	6L2-42167-00-00	SPRING 1	1	
9	97595-06575-00	BOLT, WITH WASHER	1	
10	90387-06M18-00	COLLAR	1	
11	689-42169-01-00	JOINT	1	
12	662-41237-01-00	JOINT, LINK	1	
13	95380-05600-00	.NUT	1	
14	6L2-44122-00-00	BUSHING, SHIFT ROD LEVER	1	
15	90254-03M04-00	.PIN, SPRING	1	
16	6L2-42192-00-00	ROD 2	1	
17	90202-05088-00	.WASHER, PLATE	2	
18	91490-20010-00	PIN. COTTER	2	
19	6L2-44141-02-00	LINK, SHIFT ROD	1	
20	6L2-44141-10-94	LINK, SHIFT ROD	1	

CONTINUED ON NEXT FRAME >

# CONTROL 1



6L23100-C150

Ref No.	Part Number	Description	Qty	Remarks
21	6L2-44121-00-00	LEVER, SHIFT ROD	1	
22	6L2-41212-00-00	ARM, ACCEL.	1	
23	90109-06M28-00	BOLT	1	
24	97013-05016-00	BOLT	1	
25	92903-05600-00	WASHER, PLATE	1	
26	6L2-41237-00-00	JOINT, LINK	1	
27	6L2-41238-00-00	JOINT, LINK	1	
28	95380-05700-00	NUT	1	
29	6G1-41662-01-94	BRACKET 2	2	
30	97013-06020-00	BOLT	2	
31	92903-06600-00	WASHER, PLATE	2	
32	6J8-44116-00-00	SPRING	1	
33	97095-06012-00	.BOLT	1	
34	92995-06600-00	WASHER	1	
35	6L2-44123-00-00	ARM, SHIFT ROD	1	
36	90254-03M04-00	.PIN, SPRING	1	
37	6L2-44143-00-00	ROD, SHIFT	1	
38	90170-06015-00	NUT	1	
39	6L2-14368-00-00	DIAPHRAGM ASSY 1	1	
40	97095-06008-00	BOLT	2	

CONTINUED ON NEXT FRAME >

# CONTROL 1

Ref No.	Part Number	Description	Qty	Remarks
41	6L2-44114-10-00	STOPPER	1	MH/EH
42	90149-06M09-00	SCREW	1	MH/EH
43	95380-06700-00	NUT	1	MH/EH
44	90387-06M15-00	COLLAR	1	MH/EH
45	97095-06030-00	BOLT	1	MH/EH
46	6L2-42192-10-00	ROD 2	1	MH/EH
47	6F5-41237-00-00	JOINT, LINK	2	MH/EH

