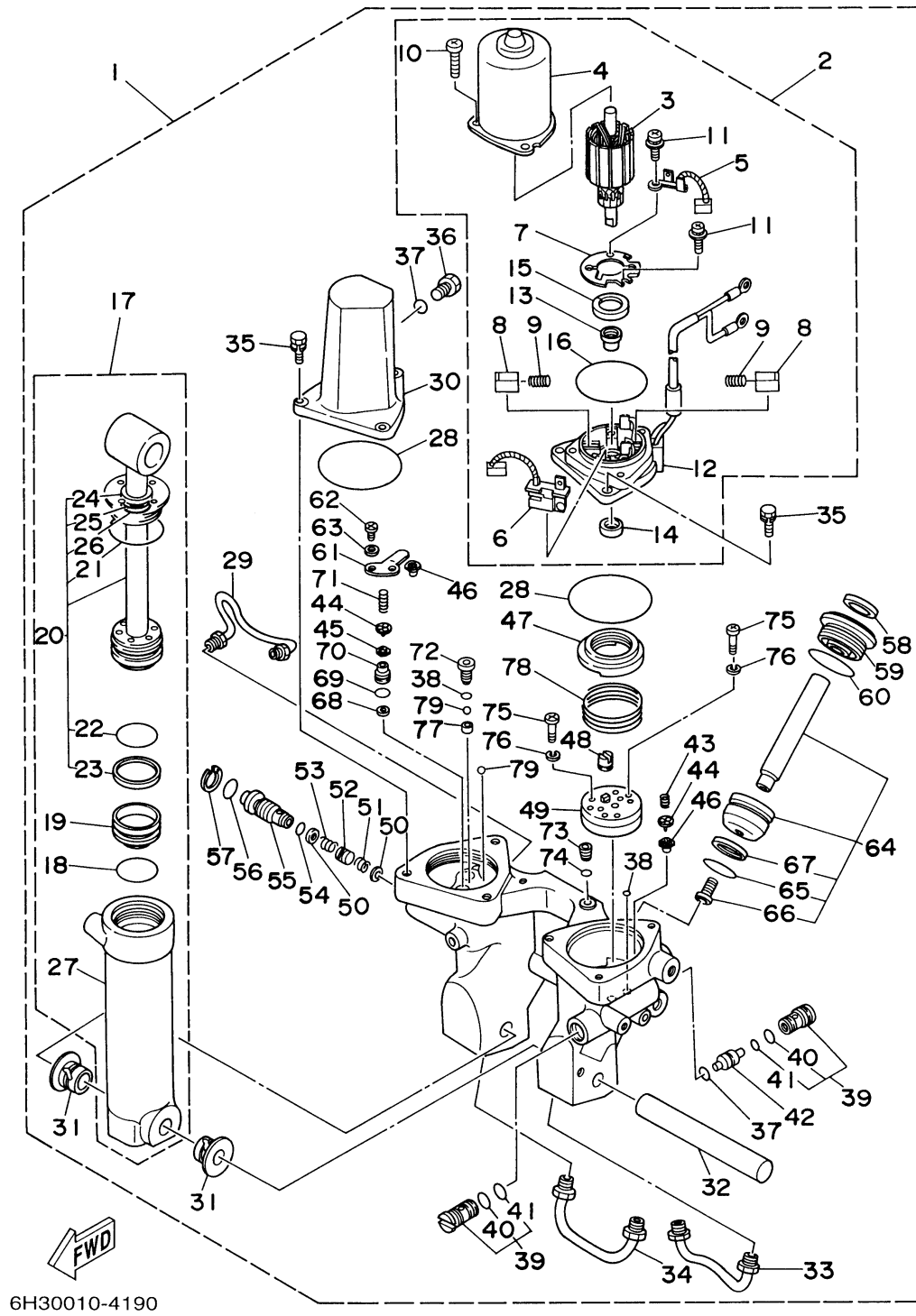


POWER TRIM TILT ASSY

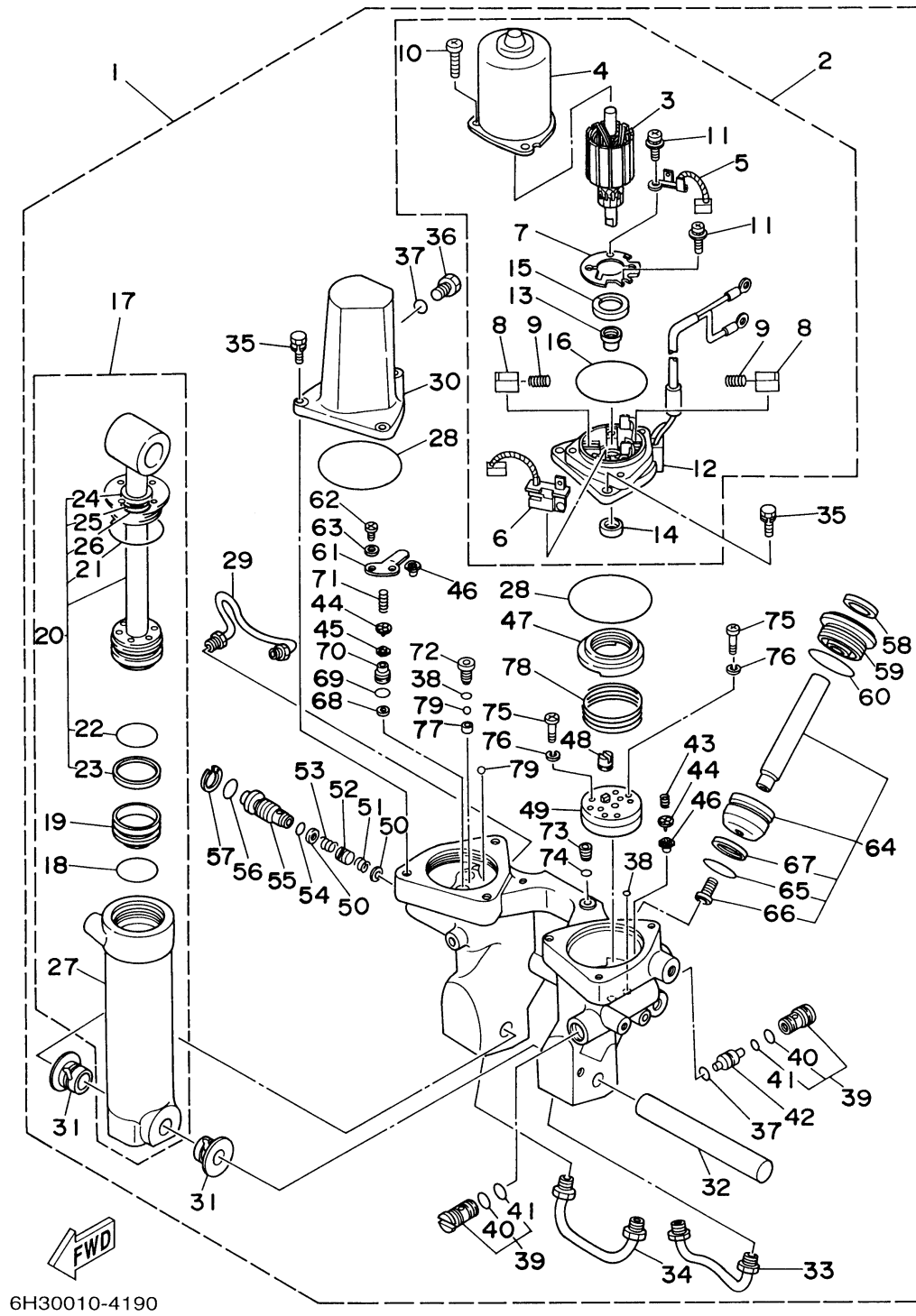


6H30010-4190

Ref No.	Part Number	Description	Qty	Remarks
1	6H1-43800-17-4D	POWER TRIM & TILT ASSY	1	
2	6H1-43880-02-00	..MOTOR ASSY	1	
3	6H1-43805-10-00	...ARMATURE ASSY	1	
4	6H1-43804-10-00	...STATOR ASSY	1	
5	6H1-43891-10-00	...BRUSH 1	1	
6	6H1-43892-10-00	...BREAKER COMP. (BRUSH 2)	1	
7	6H1-4380F-10-00	...PLATE, BRUSH HOLDER	1	
8	6H1-4380J-10-00	...HOLDER, BRUSH	2	
9	6H1-4386K-10-00	...SPRING, BRUSH	2	
10	97885-05016-00	.. SCREW, PAN HEAD	3	
11	97607-04310-00	...SCREW, WITH WASHER	2	
12	6H1-43881-10-00	...FRAME, END	1	
13	6H1-4380H-10-00	...METAL	1	
14	93102-08M43-00	...OIL SEAL	1	
15	6H1-4380G-10-00	...PLATE	1	
16	6H1-43865-10-00	...O-RING	1	
17	6H1-43840-11-00	..POWER TILT ASSY	1	
18	6H1-43861-10-00	...O-RING	1	
19	6H1-43814-11-00	...PISTON, FREE	1	
20	6H1-43810-11-00	...TILT PISTON SUB ASSY	1	

CONTINUED ON NEXT FRAME >

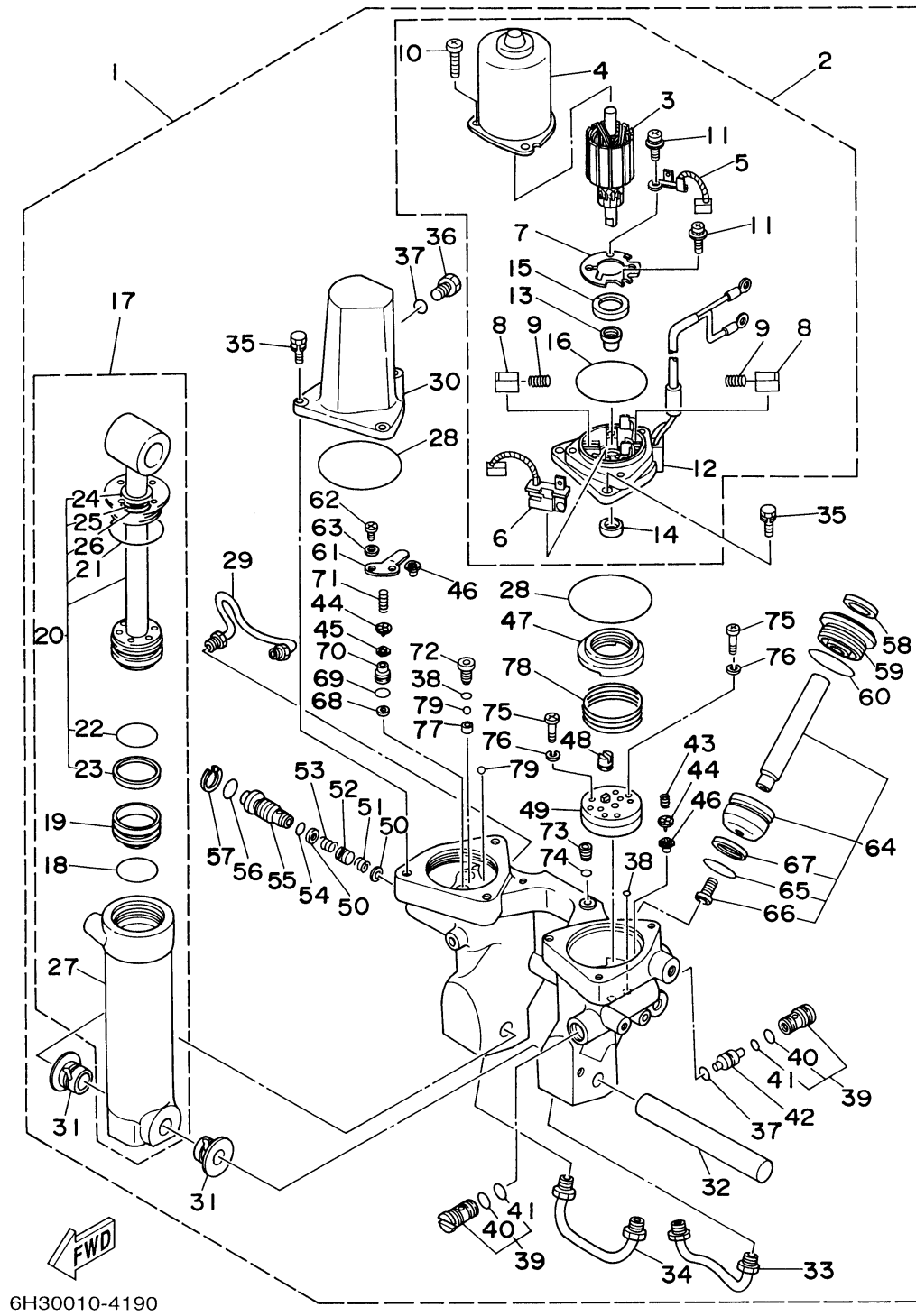
POWER TRIM TILT ASSY



Ref No.	Part Number	Description	Qty	Remarks
21	6H1-43861-00-00	...O-RING	1	
22	6H1-43861-10-00	...O-RING	1	
23	6H1-43871-10-00	...RING, BACK UP	1	
24	6H1-43812-00-00	...SEAL, DUST	1	
25	6H1-43872-10-00	... RING, BACK UP	1	
26	93210-18397-00	... O-RING	1	
27	6H1-43813-10-00	...CYLINDER, TILT	1	
28	93210-68N50-00	. O-RING	2	
29	6H1-43835-10-00	..PIPE	1	
30	6H1-43828-10-00	..BODY, RESERVOIR	1	
31	90386-18M14-00	..BUSH	2	
32	6E5-43818-00-00	..PIN, LOWER SHOCK MOUNT	1	
33	6H1-43833-10-00	..PIPE	1	
34	6H1-43834-00-00	..PIPE	1	
35	97595-06420-00	..BOLT, WITH WASHER	6	
36	6H1-43829-00-00	..PLUG, RESERVOIR	1	
37	93210-09165-00	..O-RING	2	
38	93210-064A5-00	..O-RING	1	
39	67F-43802-00-00	..VALVE SUB ASSY	2	
40	6H1-43866-00-00	...O-RING	1	

CONTINUED ON NEXT FRAME >

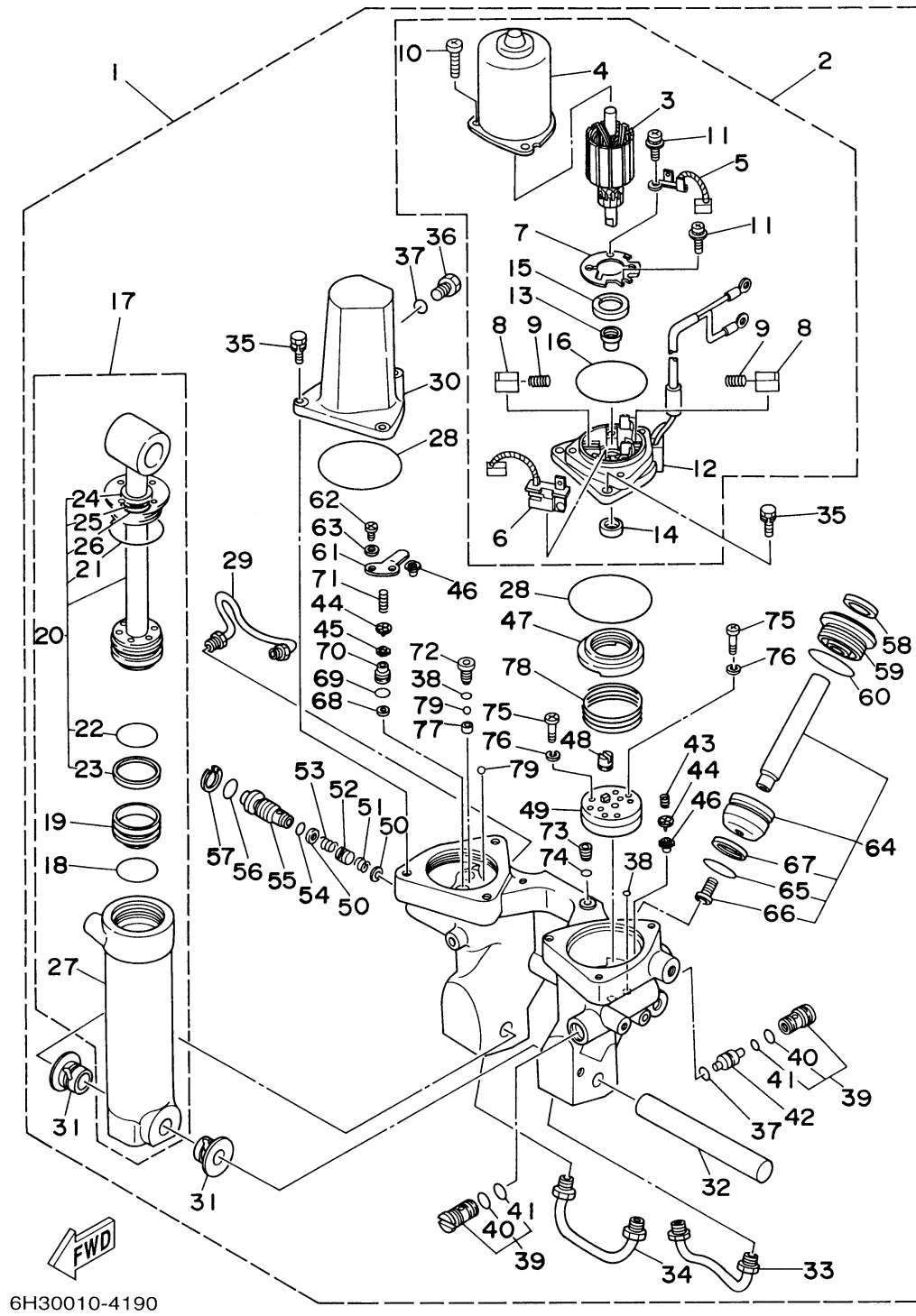
POWER TRIM TILT ASSY



Ref No.	Part Number	Description	Qty	Remarks
41	6H1-43867-00-00	...O-RING	1	
42	6H1-43841-11-00	. PISTON, SHUTTLE	1	
43	6H1-43856-10-00	. .SPRING, DOWN RELIEF	1	
44	6H1-43844-10-00	. .PIN, VALVE SUPPORT	2	
45	6H1-4384G-11-00	. .SEAL, RELIEF VALVE	1	
46	6H1-4384F-10-00	. .SEAL, MAIN VALVE	2	
47	6H1-43817-01-00	. .FILTER 2	1	
48	6H1-43831-10-00	. CONNECTOR, SHAFT	1	
49	6H1-43830-11-00	. .GEAR PUMP ASSY	1	
50	6H1-43847-00-00	. .SEAT, MANUAL VALVE	2	
51	6H1-43899-00-00	. .SPRING, MANUAL RELEASE	1	
52	6H1-4382A-10-00	. .ADAPTOR 1	1	
53	6H1-43854-00-00	. .SPRING, MANUAL RELEASE	1	
54	93210-10M74-00	. O-RING	1	
55	6H1-43845-00-00	. .SCREW, MANUAL RELEASE	1	
56	93210-18M75-00	. O-RING	1	
57	6H1-43875-00-00	. RING, SNAP	1	
58	6H1-43822-10-00	. SEAL, TRIM DUST	2	
59	6H1-43821-11-00	. .SCREW, TRIM CYLINDER END	2	
60	6H1-43861-10-00	...O-RING	2	

CONTINUED ON NEXT FRAME >

POWER TRIM TILT ASSY



Ref No.	Part Number	Description	Qty	Remarks
61	6H1-4384E-20-00	. .SPRING, TRIM	1	
62	98501-05010-00	. .SCREW, PAN HEAD	2	
63	92901-05200-00	. .WASHER, PLAIN	2	
64	6H1-43820-11-00	. .TRIM PISTON SUB ASSY	2	
65	6H1-43864-00-00	. .O-RING	1	
66	91318-08016-00	. . .BOLT, SOCKET HEAD	1	
67	6H1-43874-00-00	. . .RING, BACK UP	1	
68	6H1-43816-00-00	. .FILTER 1	1	
69	6H1-43896-00-00	. .O-RING	1	
70	6H1-43895-12-00	. .SEAT, RELIEF VALVE	1	
71	6H1-43855-11-00	. .SPRING, UP RELIEF	1	
72	6H1-43843-11-00	. .SCREW, VALVE LOCK	1	
73	6H1-4388E-11-00	. .PLUG, TAPER SCREW	1	
74	6H1-43868-00-00	. .O-RING	1	
75	98501-04025-00	. .SCREW, PAN HEAD	4	
76	92901-04100-00	. .WASHER, SPRING	4	
77	6H1-4387J-00-00	. .WASHER, SPECIAL 2	1	
78	6H1-4385H-00-00	. .SPRING, SEAL	1	
79	93505-32038-00	. .BALL	2	