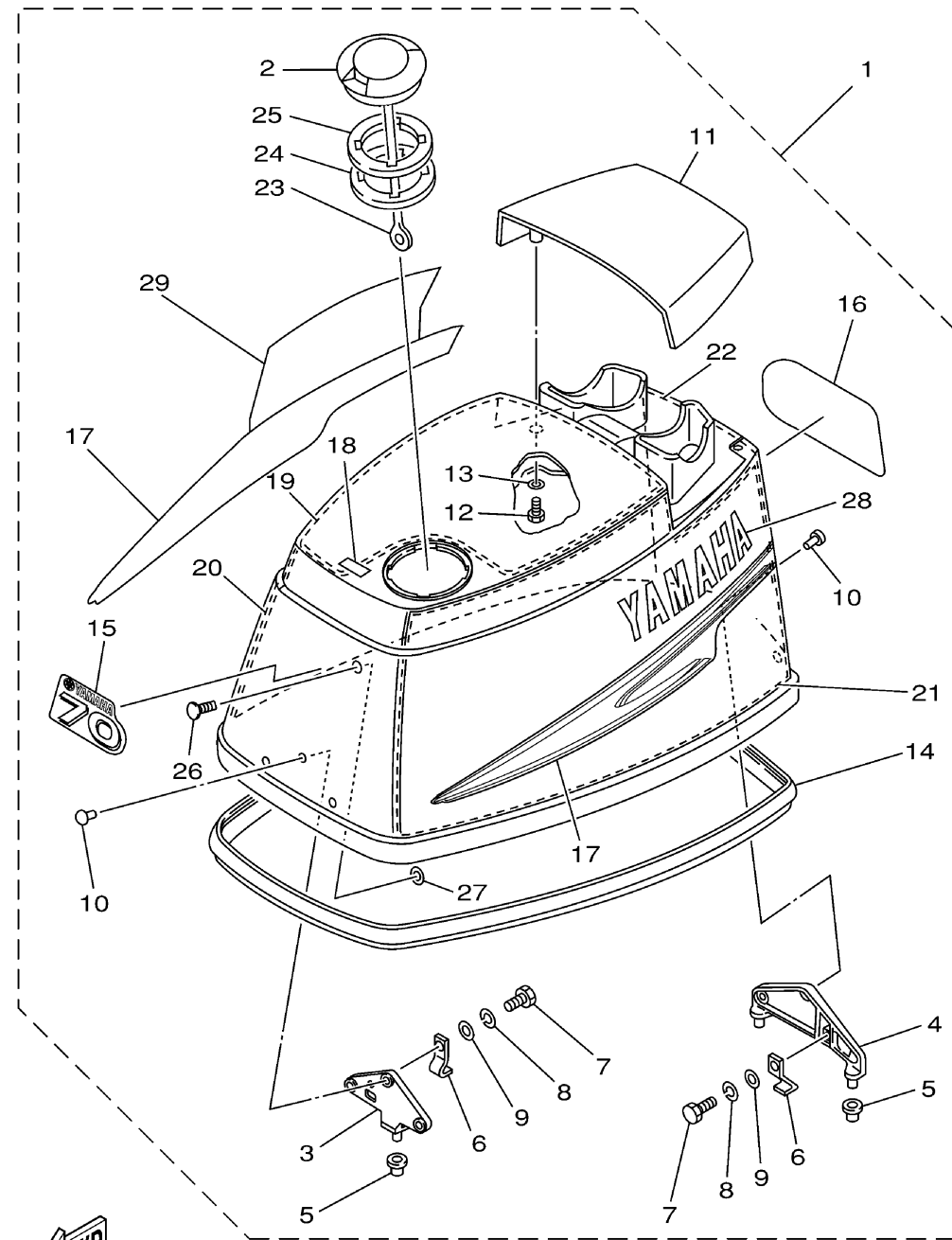


TOP COWLING



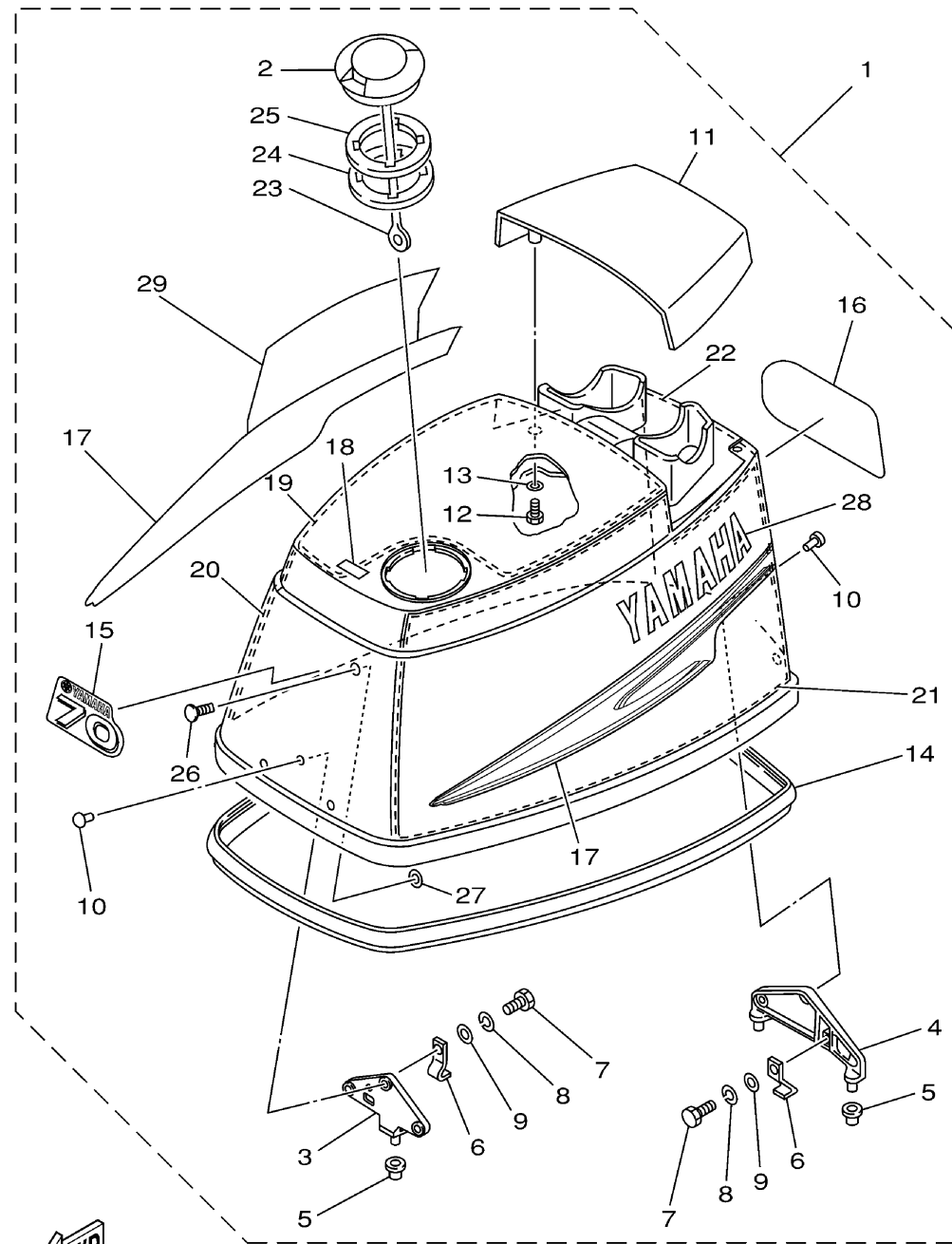
6H31100-2010

Ref No.	Part Number	Description	Qty	Remarks
1	6H3-42610-60-4D	TOP COWLING ASSY	1	UR 70TR
1	6H2-42610-90-4D	TOP COWLING ASSY	1	UR 60TR
2	63D-2177H-00-00	.DISK CAP 2	1	
3	6H3-42647-00-94	.HOLDER, CLAMP BAND	1	
4	6H3-42649-00-94	.HOLDER, CLAMP BAND	1	
5	663-42662-00-00	.DAMPER	3	
6	6H3-42652-00-00	.HOOK	2	
7	97095-06016-00	.BOLT	2	
8	92995-06100-00	.WASHER, SPRING	2	
9	92995-06600-00	.WASHER	2	
10	90266-06009-00	.RIVET	6	
11	6H3-42613-01-4D	.MOLDING, AIR DUCT	1	
12	97095-06016-00	.BOLT	4	
13	92995-06600-00	.WASHER	4	
14	6H3-42615-00-00	.SEAL	1	
15	6H2-42677-60-00	.GRAPHIC, FRONT	1	UR 60TR
15	6H3-42677-60-00	.GRAPHIC, FRONT	1	UR 70TR
16	6H3-42678-50-00	.GRAPHIC, REAR	1	UR 70TR
16	6H2-42678-50-00	.GRAPHIC, REAR	1	UR 60TR
17	6H3-W0070-50-00	.GRAPHIC SET	1	

CONTINUED ON NEXT FRAME >

TOP COWLING

Ref No.	Part Number	Description	Qty	Remarks
18	6H3-13436-40-00	. .MARK	1	
19	6H3-42617-10-00	. .DAMPER, FORM	1	
20	6H3-42619-00-00	. .DAMPER, FORM	1	
21	6H3-42627-00-00	. .DAMPER, FORM	1	
22	6H3-42637-00-00	. .DAMPER, FORM	1	
23	6H1-42694-00-00	. .BAND	1	
24	6H3-21732-00-00	. .SEAL 1	1	
25	6H3-21735-00-00	. .SEAL 2	1	
26	90338-05M03-00	. .PLUG	1	
27	90183-05M06-00	. .NUT, SPRING	1	
28	6H3-42681-50-00	. .MARK, COWLING	1	
29	6H3-42682-50-00	. .MARK, COWLING	1	



6H31100-2010