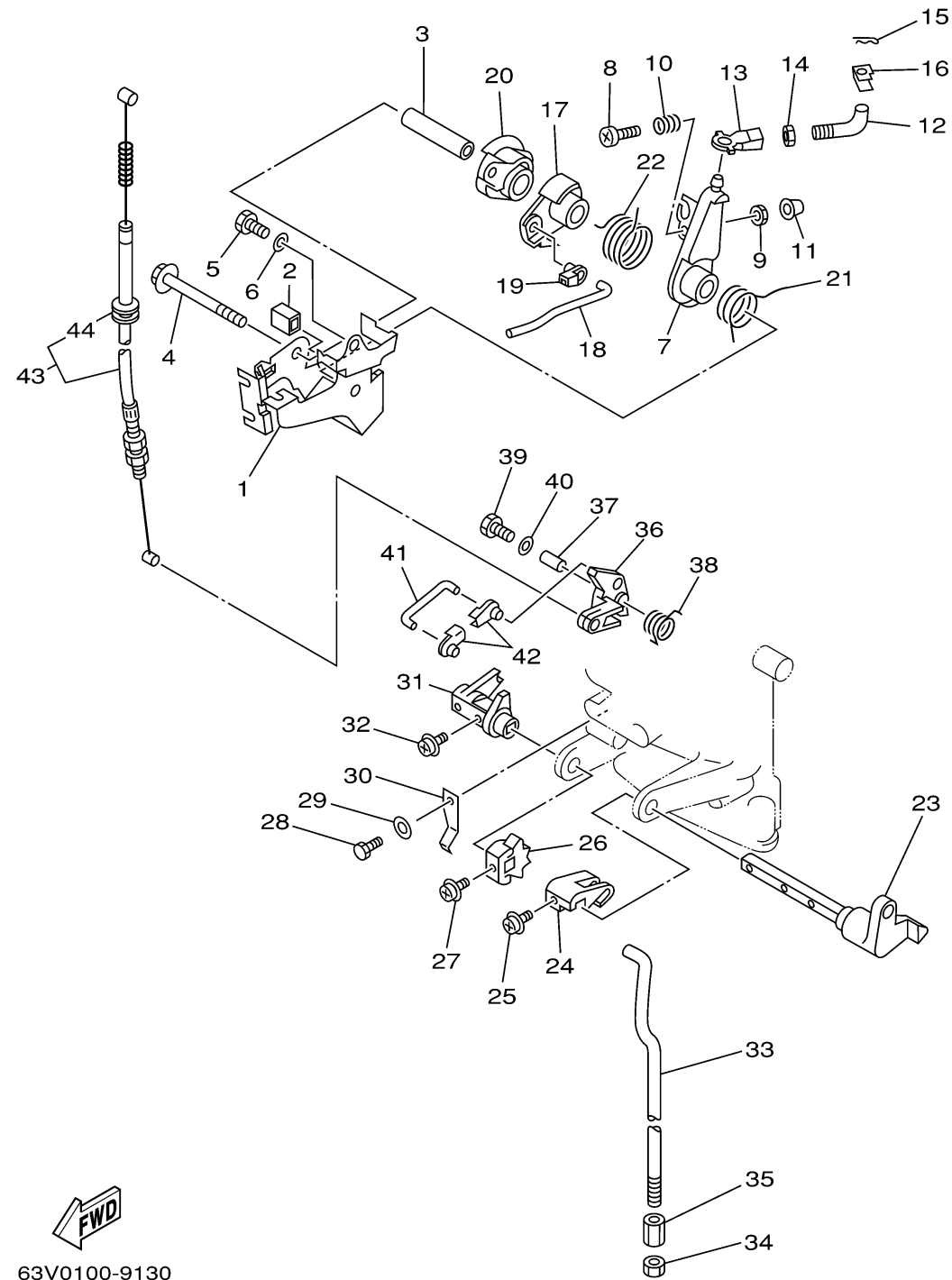


# CONTROL

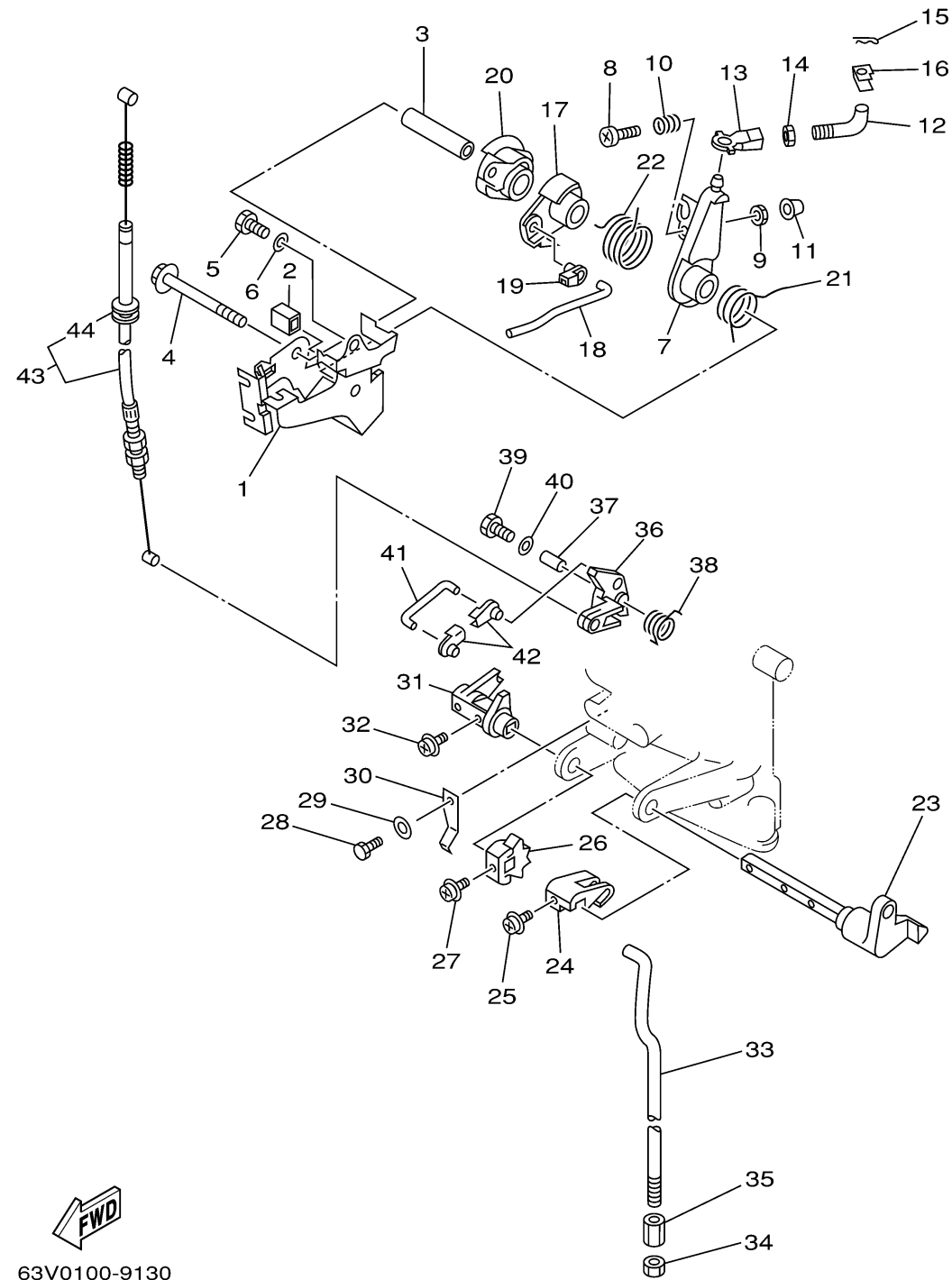
Ref No.	Part Number	Description	Qty	Remarks
1	63V-14497-02-00	STAY, THROTTLE WIRE	1	
2	689-44194-00-00	CAP	1	
3	90387-06M50-00	COLLAR	1	
4	95895-06065-00	BOLT, FLANGE	1	
5	97095-06012-00	BOLT	1	
6	92995-06600-00	WASHER	1	
7	63V-41631-00-00	LEVER, MAGNETO CONTROL	1	
8	97885-06030-00	SCREW, PAN HEAD	1	
9	95380-06600-00	.NUT, HEXAGON	1	
10	90501-12M16-00	SPRING, COMPRESSION	1	
11	688-44194-00-00	CAP	1	
12	63V-41238-00-00	JOINT, LINK	1	
13	6H4-41237-00-00	JOINT, LINK	1	
14	95380-05700-00	NUT	1	
15	90468-10005-00	CLIP	1	
16	63V-41223-00-00	WASHER, LOCK 1	1	
17	63V-41283-01-00	LEVER, FREE ACCEL.	1	
18	63V-41211-00-00	LINK, ACCEL.	1	
19	661-41262-02-00	JOINT, CHOKE LEVER	1	
20	63V-41638-00-00	PULLEY	1	

CONTINUED ON NEXT FRAME >



63V0100-9130

# CONTROL



63V0100-9130

Ref No.	Part Number	Description	Qty	Remarks
21	90508-16M37-00	SPRING, TORSION	1	
22	90508-20M38-00	SPRING, TORSION	1	
23	63V-44123-01-00	ARM, SHIFT ROD	1	
24	63V-44121-01-00	LEVER, SHIFT ROD	1	
25	90159-05M25-00	.SCREW, WITH WASHER	1	
26	63V-44125-00-00	LEVER, SHIFT ROD	1	
27	90159-05M25-00	.SCREW, WITH WASHER	1	
28	97095-06012-00	BOLT	1	
29	92995-06600-00	WASHER	1	
30	63V-44116-00-00	SPRING	1	
31	63V-44122-01-00	BUSHING, SHIFT ROD LEVER	1	
32	90159-05M25-00	.SCREW, WITH WASHER	1	
33	63V-44143-01-00	ROD, SHIFT	1	
34	95380-06700-00	NUT	1	
35	90170-06015-00	NUT	1	
36	63V-15746-00-00	ARM	1	
37	90387-06M06-00	COLLAR	1	
38	90508-08M39-00	SPRING, TORSION	1	
39	97095-06020-00	BOLT	1	
40	92995-06600-00	WASHER	1	

CONTINUED ON NEXT FRAME >

# CONTROL

Ref No.	Part Number	Description	Qty	Remarks
41	6L2-15747-00-00	LINK	1	
42	661-41262-02-00	JOINT, CHOKE LEVER	2	
43	63V-15770-01-00	CABLE COMP., STARTER STOP	1	
44	90480-10M16-00	..GROMMET	1	

