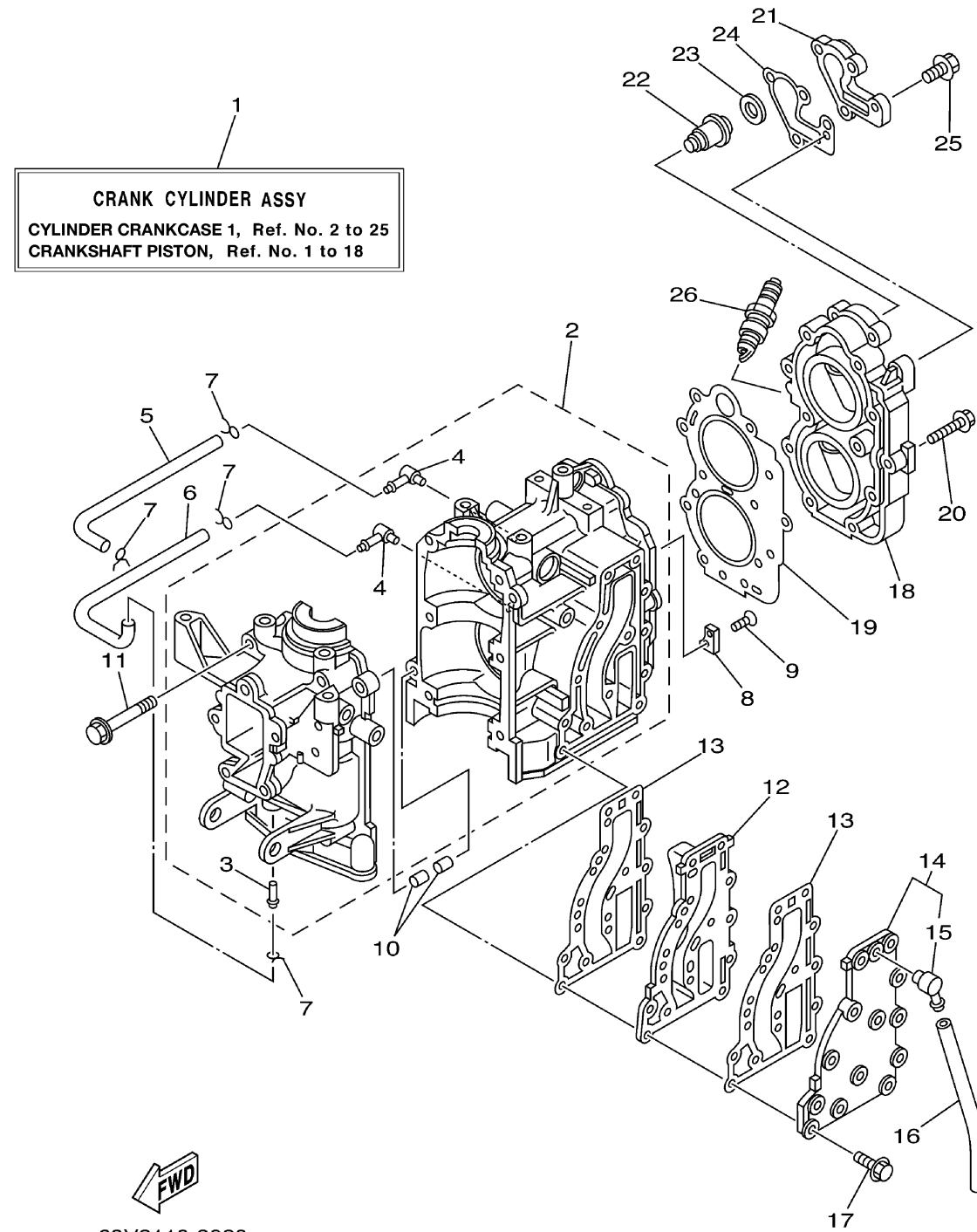


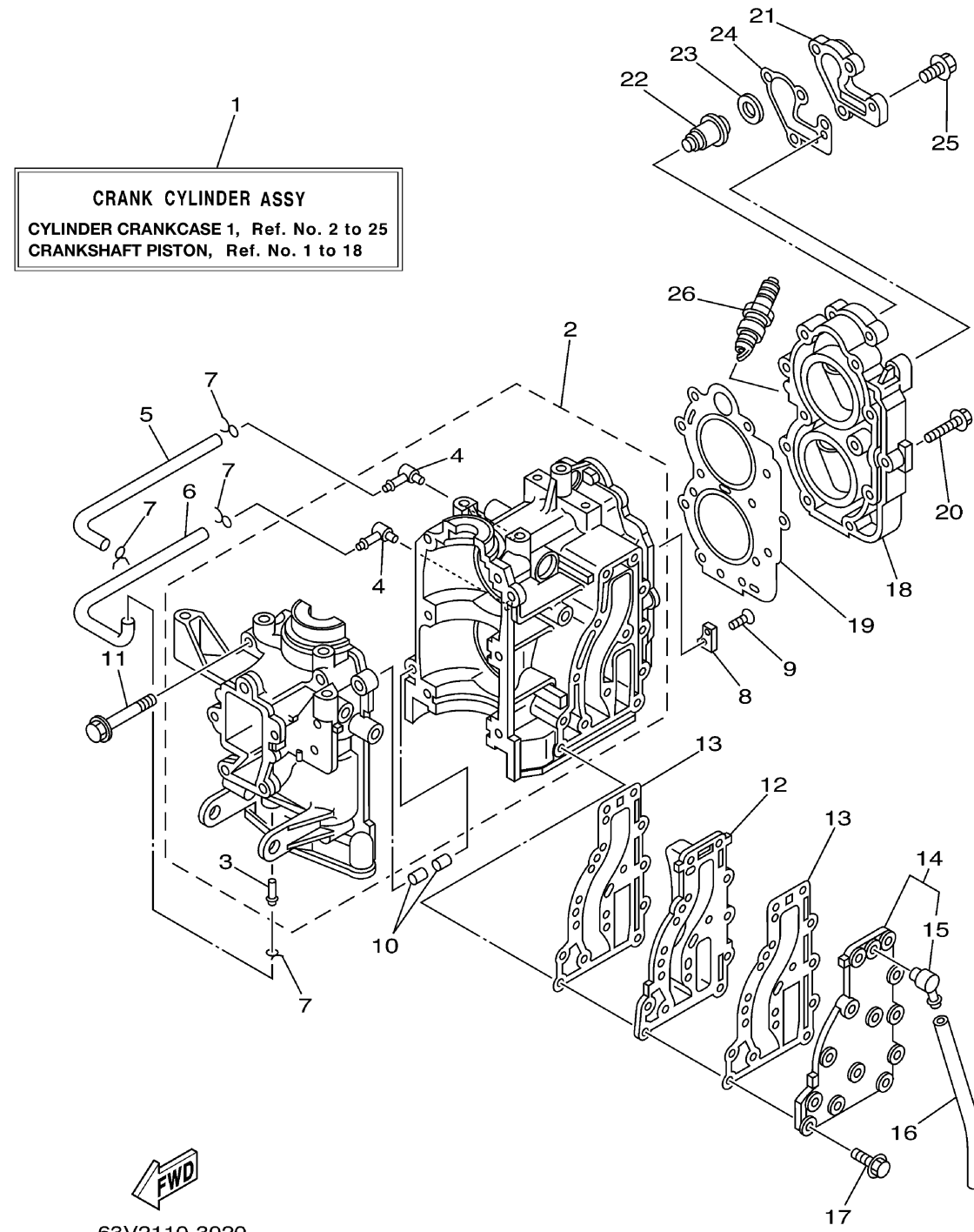
CYLINDER CRANKCASE



Ref No.	Part Number	Description	Qty	Remarks
1	63V-W0090-03-1S	CRANK CYLINDER ASSY	1	
2	63V-15100-02-1S	CRANKCASE ASSY	1	
3	624-14485-00-00	. .PIPE, JOINT	1	
4	650-14485-03-00	. .PIPE, JOINT	2	
5	90445-07M08-00	HOSE (L220)	1	
6	90445-07M08-00	HOSE (L220)	1	
7	90467-06016-00	CLIP	4	
8	682-11325-00-00	ANODE	1	
9	98780-05015-00	SCREW, FLAT HEAD	1	
10	93606-12019-00	PIN, DOWEL	2	
11	90119-08M07-00	BOLT, WITH WASHER	6	
12	63V-41111-00-1S	INNER COVER, EXHAUST	1	
13	63V-41112-A0-00	.GASKET, EXHAUST INNER COVER	2	
14	63V-41113-00-1S	OUTER COVER, EXHAUST	1	
15	676-11372-00-00	. .NIPPLE, HOSE	1	
16	90445-09104-00	HOSE (L300)	1	
17	90119-06MA4-00	BOLT, WITH WASHER	13	
18	6E7-11111-01-1S	HEAD, CYLINDER 1	1	
19	63V-11181-A1-00	.GASKET, CYLINDER HEAD 1	1	
20	90105-07M05-00	BOLT, FLANGE	11	

CONTINUED ON NEXT FRAME >

CYLINDER CRANKCASE



Ref No.	Part Number	Description	Qty	Remarks
21	682-12413-00-1S	COVER, THERMOSTAT	1	
22	6E5-12411-30-00	THERMOSTAT	1	
23	90201-16M03-00	WASHER, PLATE	1	
24	682-12414-A1-00	.GASKET, COVER	1	
25	90119-06MA2-00	BOLT, WITH WASHER	4	
26	NGK-B7HS1-00-00	PLUG, SPARK (NGK B7HS-10)	2	