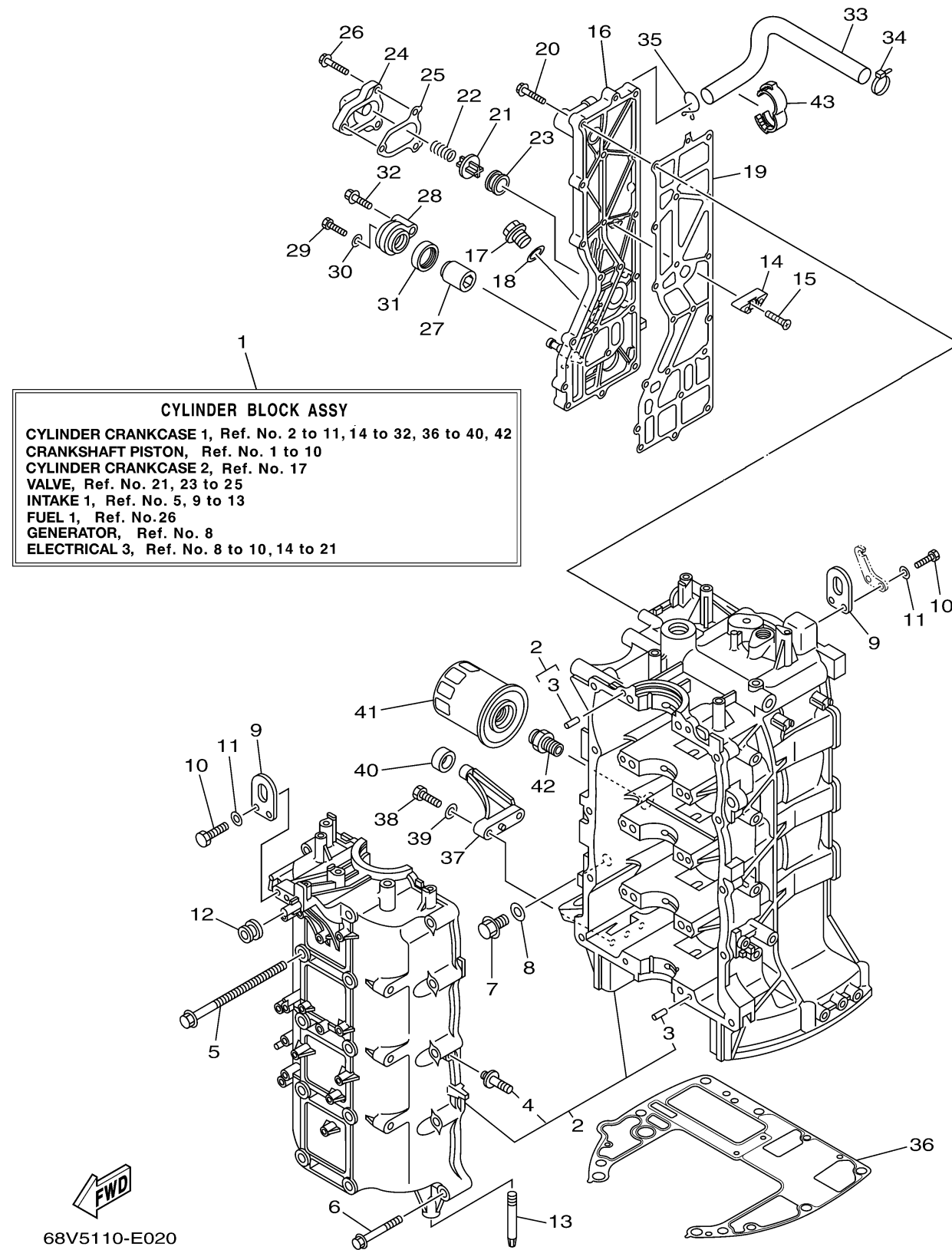


# CYLINDER CRANKCASE 1



**CYLINDER BLOCK ASSY**  
 CYLINDER CRANKCASE 1, Ref. No. 2 to 11, 14 to 32, 36 to 40, 42  
 CRANKSHAFT PISTON, Ref. No. 1 to 10  
 CYLINDER CRANKCASE 2, Ref. No. 17  
 VALVE, Ref. No. 21, 23 to 25  
 INTAKE 1, Ref. No. 5, 9 to 13  
 FUEL 1, Ref. No. 26  
 GENERATOR, Ref. No. 8  
 ELECTRICAL 3, Ref. No. 8 to 10, 14 to 21

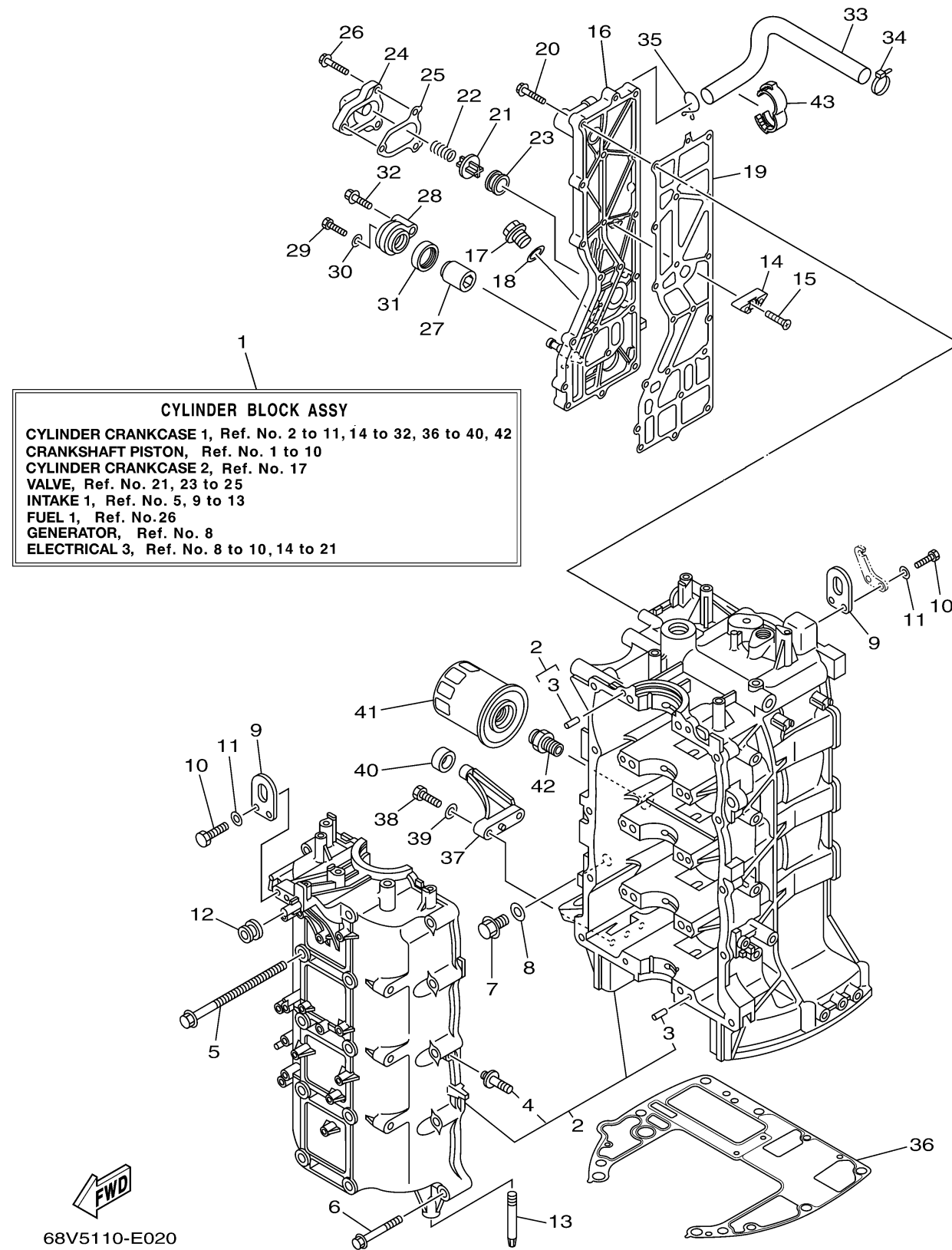
Ref No.	Part Number	Description	Qty	Remarks
1	68V-W009B-06-1S	CYLINDER BLOCK ASSY	1	
2	68V-15100-02-1S	CRANKCASE ASSY	1	
3	93606-12019-00	. PIN, DOWEL	10	
4	68V-44581-01-00	. .BOLT	1	
5	90119-10M88-00	BOLT, WITH WASHER	10	
6	90119-08M66-00	BOLT, WITH WASHER	10	
7	90340-14M06-00	PLUG, STRAIGHT SCREW	1	
8	90430-14115-00	.GASKET	1	
9	62Y-11119-00-00	HANGER, ENGINE	2	
10	97095-06020-00	BOLT	4	
11	92995-06600-00	WASHER	4	
12	90480-12072-00	.GROMMET	1	
13	67F-15142-00-00	GUIDE 1	2	
14	6E5-11325-00-00	ANODE	3	
15	98780-04016-00	SCREW, FLAT HEAD	3	
16	6D8-41113-00-1S	OUTER COVER, EXHAUST	1	
17	90340-18M09-00	.PLUG, STRAIGHT SCREW	1	
18	90430-18130-00	GASKET	1	
19	6D8-41114-A0-00	.GASKET, EXHAUST OUTER COVER	1	
20	90119-06MA4-00	BOLT, WITH WASHER	18	

CONTINUED ON NEXT FRAME >

68V5110-E020

f115tlr\_txr\_tjr\_lf115txr\_0405

# CYLINDER CRANKCASE 1



Ref No.	Part Number	Description	Qty	Remarks
21	6G5-12416-00-00	VALVE, PRESSURE CONTROL	1	
22	90501-16M11-00	SPRING, COMPRESSION	1	
23	90480-20M05-00	GROMMET	1	
24	67F-1246A-01-1S	COVER 1	1	
25	67F-12435-A0-00	.GASKET	1	
26	90119-06MA2-00	BOLT, WITH WASHER	3	
27	68V-11325-01-00	ANODE	1	
28	69J-11327-00-94	COVER, ANODE	1	
29	97075-06020-00	BOLT	1	
30	92995-06600-00	WASHER	1	
31	67F-11328-00-00	.GROMMET, ANODE	1	
32	97575-08540-00	BOLT, WITH WASHER	1	
33	67F-1243A-00-00	HOSE 1	1	
34	90465-11M10-00	CLAMP	1	
35	90467-20M15-00	CLIP	1	
36	68V-11351-00-00	.GASKET, CYLINDER	1	
37	67F-42761-00-94	STOPPER	2	
38	97095-06025-00	.BOLT	4	
39	92995-06600-00	WASHER	4	
40	68F-44533-00-00	DAMPER, UPPER MOUNT RUBBER	2	

CONTINUED ON NEXT FRAME >



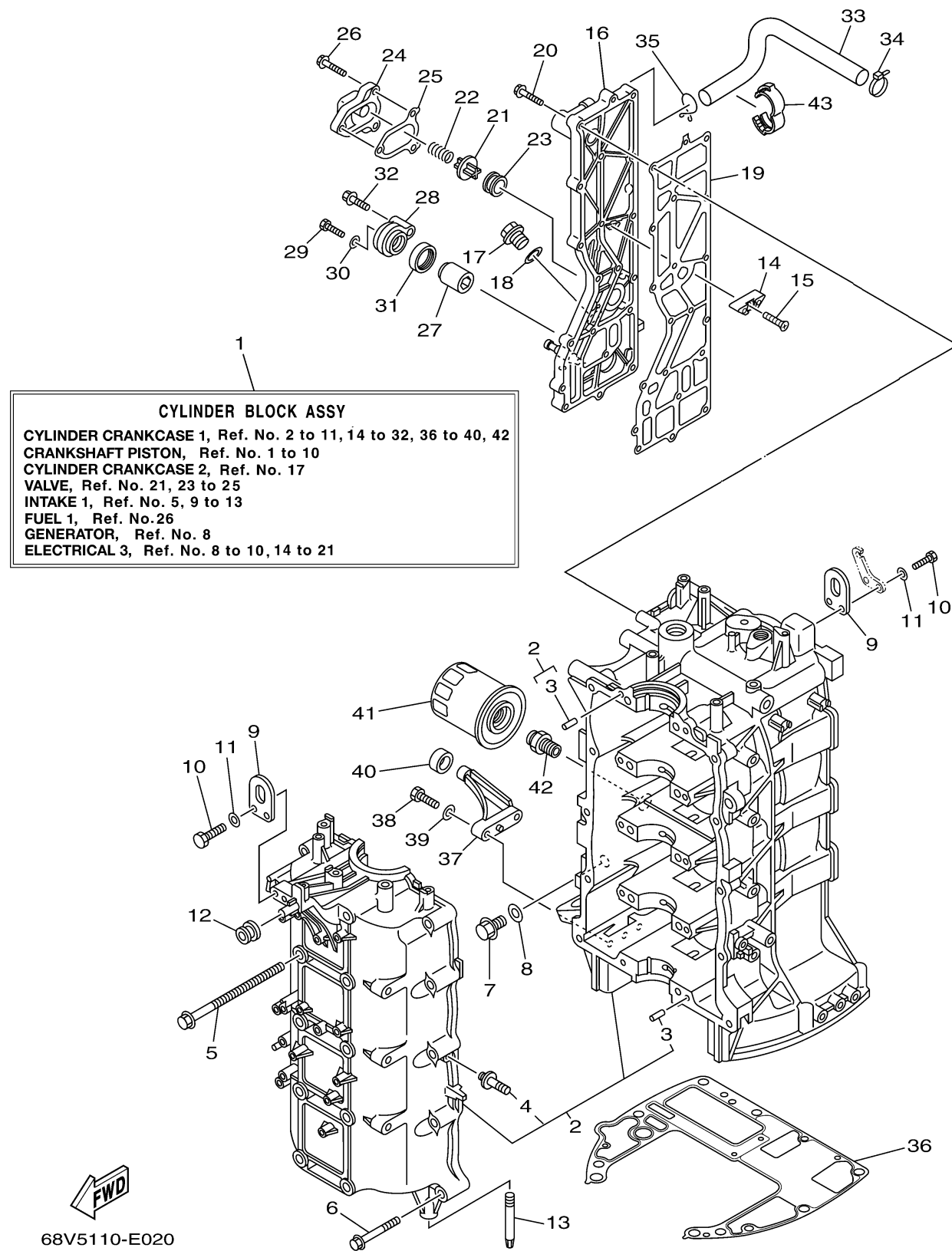
68V5110-E020

f115tlr\_txr\_tjr\_lf115txr\_0405

A5

# CYLINDER CRANKCASE 1

Ref No.	Part Number	Description	Qty	Remarks
41	5GH-13440-00-00	ELEMENT ASSY, OIL CLEANER	1	
42	90401-20145-00	BOLT, UNION	1	
43	90464-16001-00	CLAMP	1	



68V5110-E020

f115tlr\_txr\_tjr\_lf115txr\_0405