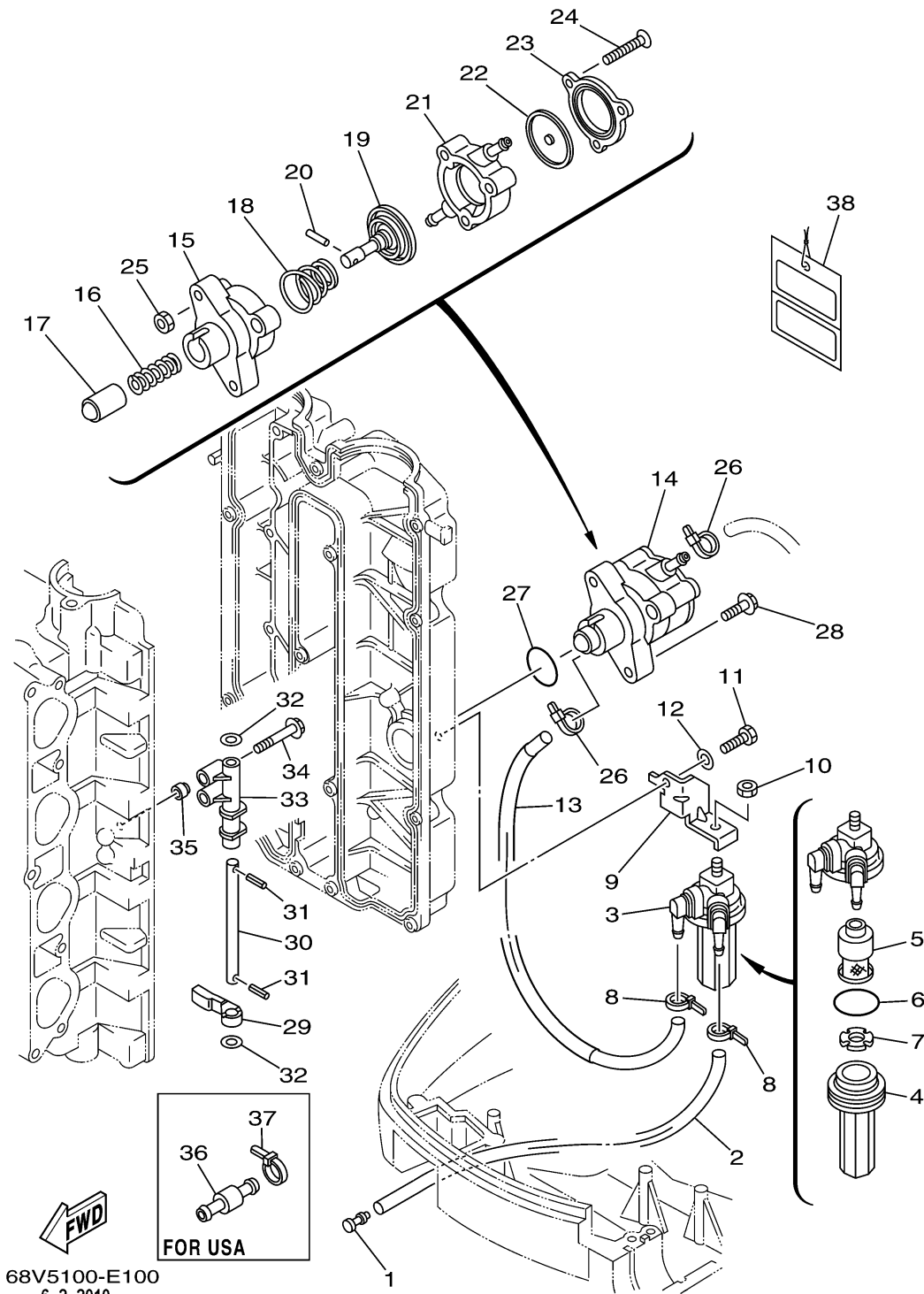


FUEL 1

Ref No.	Part Number	Description	Qty	Remarks
1	689-85547-00-00	DAMPER	1	
2	90445-13M37-00	HOSE (L2300)	1	
3	68V-24560-01-00	FILTER ASSY	1	
4	68V-24521-01-00	. CUP, FILTER	1	
5	68V-24563-00-00	. ELEMENT, FILTER	1	
6	93210-32738-00	. .O-RING	1	
7	68V-24469-01-00	. FLOAT, WATER LEVEL	1	
8	90465-11M10-00	CLAMP	2	
9	68V-24566-00-00	BRACKET, FILTER	1	
10	95380-08600-00	NUT	1	
11	97095-06016-00	BOLT	1	
12	92995-06600-00	WASHER	1	
13	68V-24311-00-00	PIPE, FUEL 1	1	
14	68V-24410-00-00	FUEL PUMP ASSY	1	
15	68V-24412-00-00	. .BODY 1	1	
16	68V-24454-00-00	. .SPRING	1	
17	68V-13131-00-00	. .PLUNGER	1	
18	68V-24423-00-00	. .SPRING, DIAPHRAGM	1	
19	68V-24411-00-00	. .DIAPHRAGM	1	
20	68V-24374-00-00	. .PIN	1	

CONTINUED ON NEXT FRAME >



68V5100-E100
6-2-2010

FUEL 1

Ref No.	Part Number	Description	Qty	Remarks
21	68V-24413-00-00	. BODY 2	1	
22	68V-24471-00-00	. DIAPHRAGM	1	
23	68V-24414-00-00	. BODY 3	1	
24	68V-24444-00-00	. .SCREW	3	
25	68V-24149-00-00	. .NUT	3	
26	90465-11M10-00	CLAMP	2	
27	93210-30682-00	.O-RING	1	
28	90119-06M83-00	BOLT, WITH WASHER	2	
29	67F-24575-00-00	LEVER, FUEL CHANGE	1	
30	68V-24495-00-00	SHAFT	1	
31	91609-25014-00	PIN, SPRING	2	
32	90201-08M12-00	.WASHER, PLATE	2	
33	67F-24491-00-00	BRACKET, FUEL PUMP	1	
34	90119-07235-00	.BOLT/WASHER-CAM CAPS	2	
35	91809-08006-00	.PIN, DOWEL	2	
36	6R3-24377-10-00	PIPE, JOINT 2	1	
37	90465-11M10-00	CLAMP	1	
38	61H-2819R-31-00	TAG, WARNING	1	