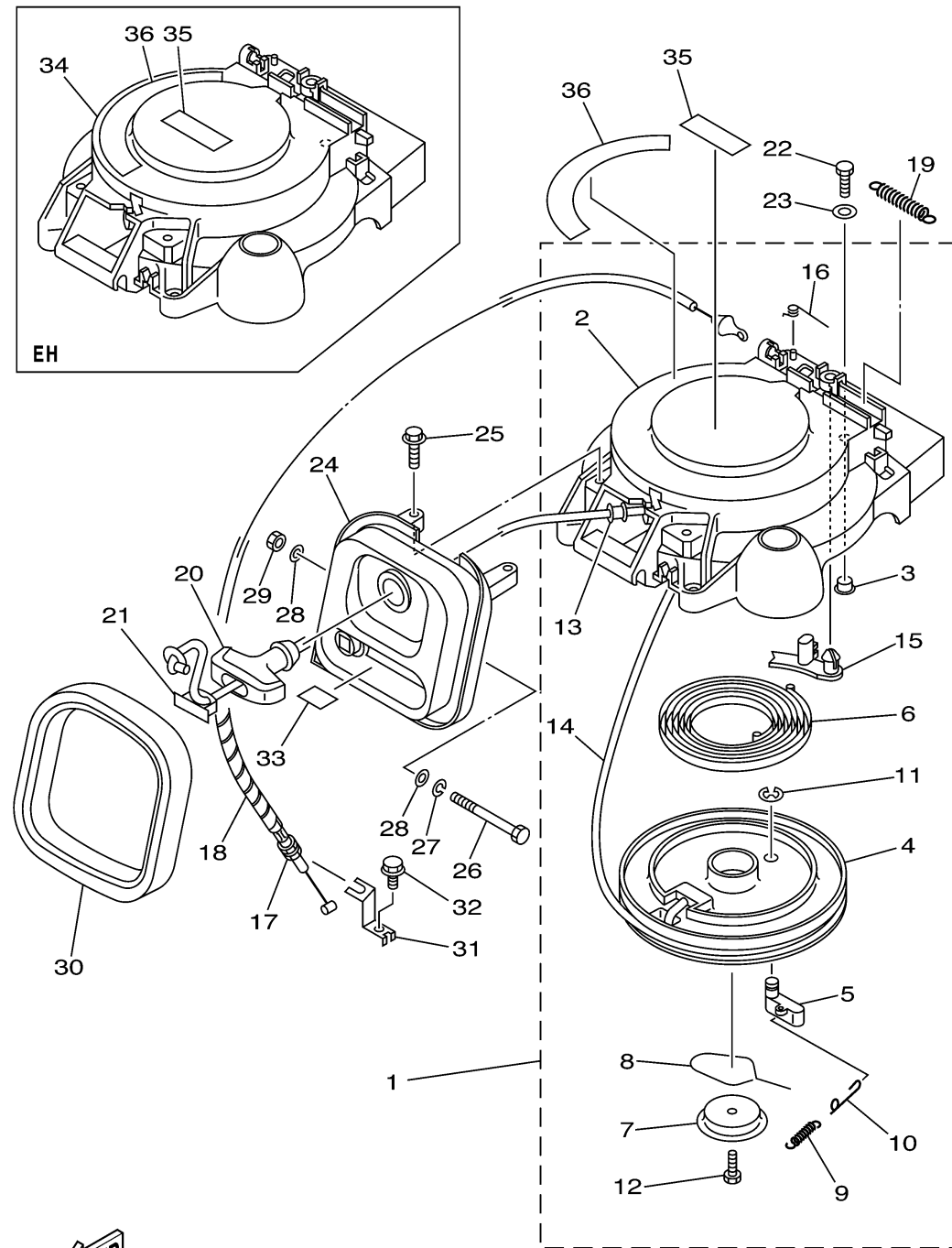


STARTER

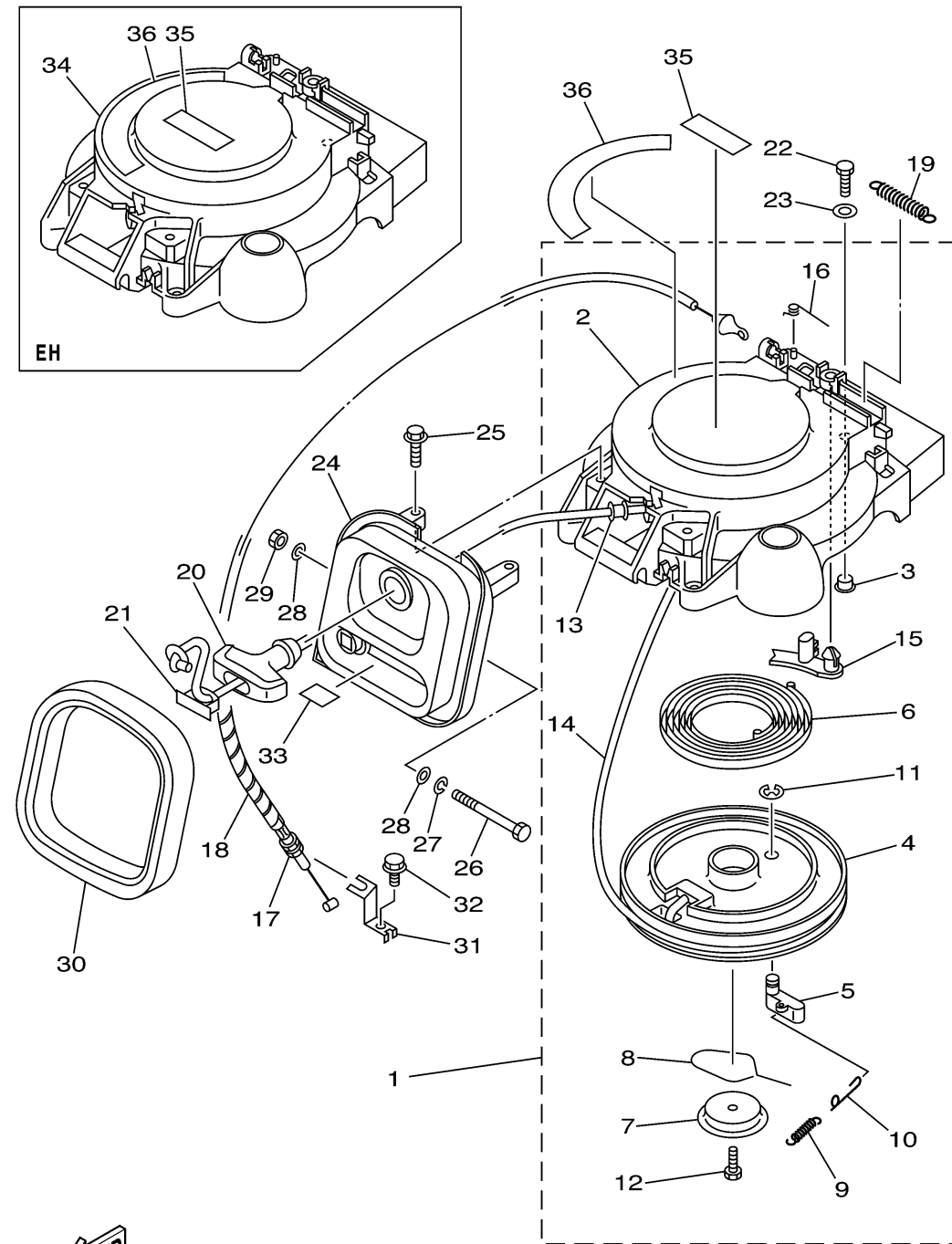


66M3110-C110

Ref No.	Part Number	Description	Qty	Remarks
1	66M-15710-02-00	STARTER ASSY	1	MH
2	66M-15711-01-00	..CASE, STARTER	1	
3	90387-06M05-00	..COLLAR	3	
4	63V-15714-00-00	..DRUM, SHEAVE	1	
5	63V-15741-00-00	..PAWL, DRIVE	1	
6	63V-15713-00-00	..SPRING, STARTER	1	
7	63V-15716-00-00	..PLATE, DRIVE	1	
8	63V-15705-01-00	..SPRING, DRIVE PAWL	1	
9	63V-15767-01-00	..SPRING	1	
10	63V-15784-01-00	..SPRING, RETURN	1	
11	63V-15744-00-00	..CIRCLIP	1	
12	63V-15768-00-00	..BOLT	1	
13	63V-15764-00-00	..COLLAR 1	1	
14	90890-44373-00	ROPE, STARTER	1	UNAVAILABLE - OBTAIN LOCALLY - CUT TO 1.8M LENGTH
15	66T-15794-00-00	..STOPPER	1	
16	66T-15734-00-00	..SPRING, RETURN	1	
17	66M-15770-00-00	CABLE COMP., STARTER STOP	1	MH
18	90446-06M90-00	HOSE (L120)	1	MH
19	66T-15731-00-00	..SPRING, RETURN	1	MH
20	6G1-15755-00-00	HANDLE, STARTER	1	MH

CONTINUED ON NEXT FRAME >

STARTER



66M3110-C110

Ref No.	Part Number	Description	Qty	Remarks
21	6G1-15779-00-00	COVER	1	MH
22	97095-06020-00	BOLT	3	
23	92995-06600-00	WASHER	3	
24	66M-15758-00-00	GUIDE, ROPE	1	UR MH
24	66M-15758-10-00	GUIDE, ROPE	1	UR EH
25	90119-06M59-00	BOLT, WITH WASHER	2	
26	97095-06090-00	BOLT	1	
27	92995-06100-00	WASHER, SPRING	1	
28	90201-06M05-00	WASHER, PLATE	2	
29	95380-06700-00	NUT	1	
30	66M-15762-00-00	SEAL, RUBBER 2	1	
31	66M-15774-00-00	STAY 4	1	MH
32	90109-06M86-00	BOLT	1	MH
33	66M-84342-00-00	SEAT, EMBLEM	1	
34	66M-15711-10-00	CASE, STARTER	1	EH
35	6A1-83625-41-00	MARK 5	1	
36	66M-14427-40-00	LABEL, INSTRUCTION	1	