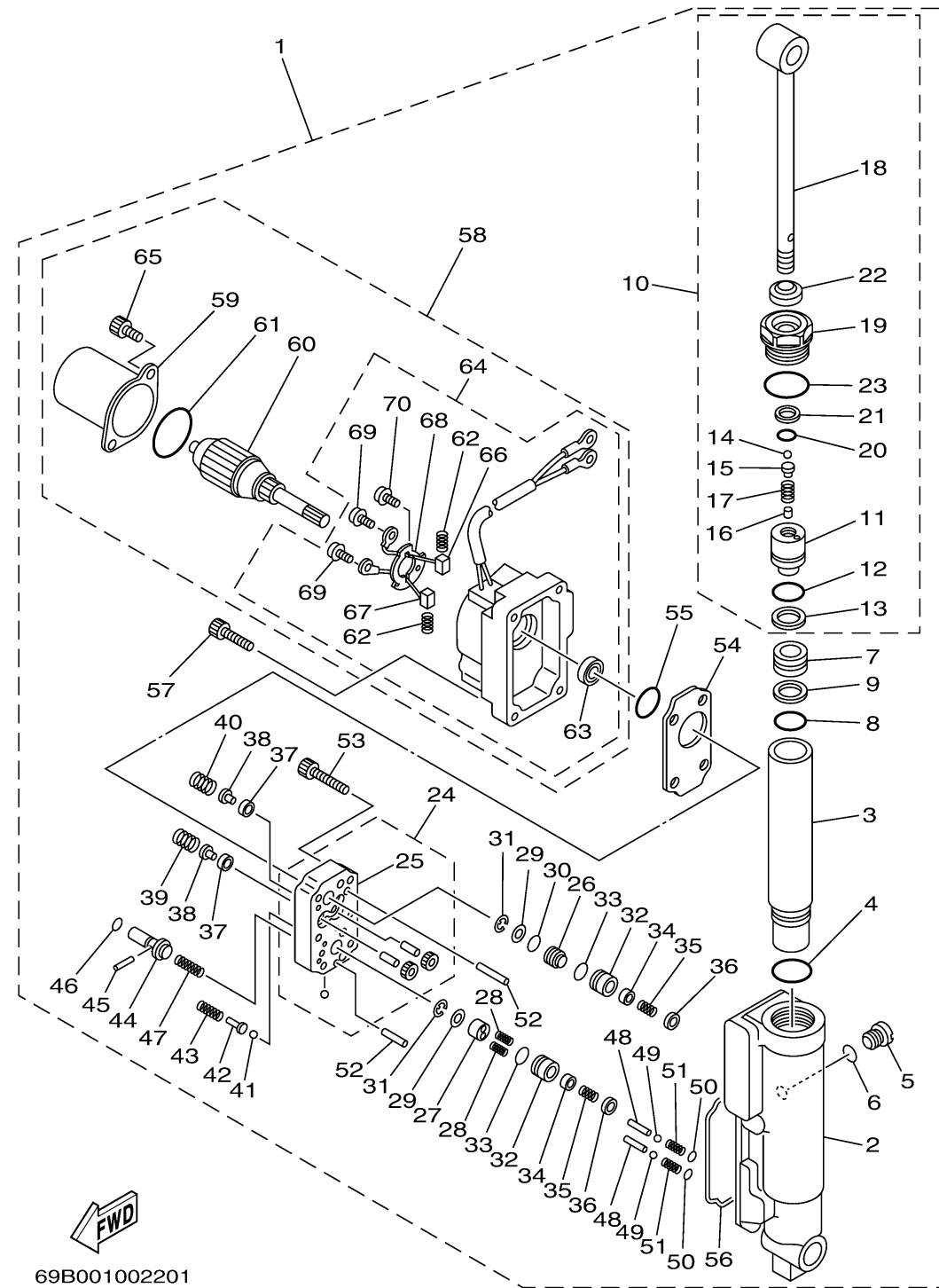


POWER TILT ASSY

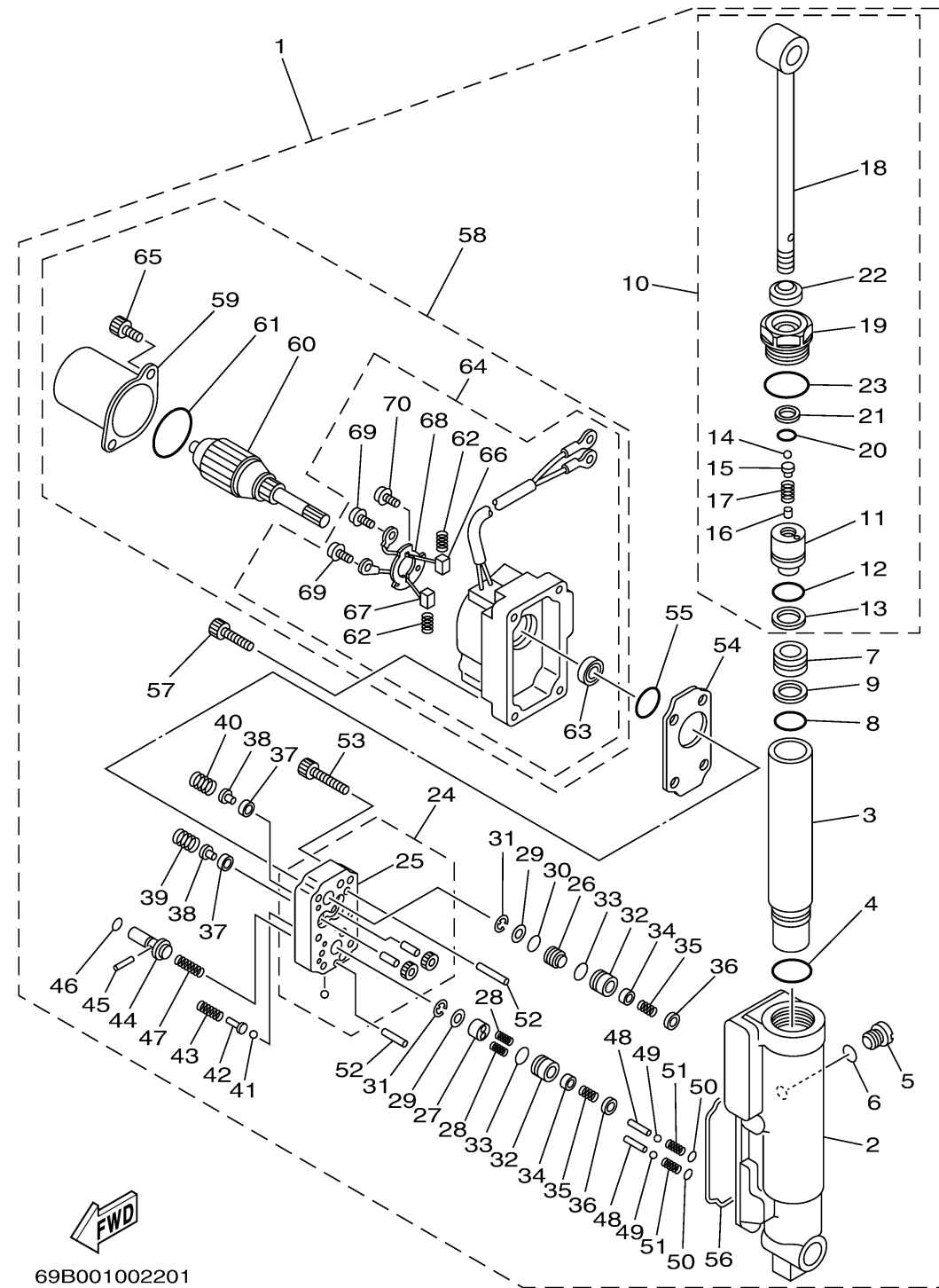


69B001002201
Revised: 11-9-2016

Ref No.	Part Number	Description	Qty	Remarks
1	69A-43840-00-4D	POWER TILT ASSY	1	
2	69A-4380K-00-00	..CYLINDER, TILT SUB ASSY	1	
3	69A-22471-00-00	..CASE, CYLINDER	1	
4	93210-27666-00	..O-RING	1	
5	6H1-4388E-11-00	..PLUG, TAPER SCREW	1	
6	93210-07003-00	..O-RING	1	
7	69A-43814-00-00	..PISTON, FREE	1	
8	93210-21276-00	...O-RING	1	
9	69A-43872-00-00	...RING, BACK UP	1	
10	69A-43810-00-00	..TILT PISTON SUB ASSY	1	
11	69A-4380D-00-00	...PISTON COMP.	1	
12	93210-21276-00	...O-RING	1	
13	69A-43872-00-00	...RING, BACK UP	1	
14	93505-32038-00	...BALL	1	
15	65W-4386A-00-00	.. PIN, ABSORBER VALVE	1	
16	93604-06136-00	...PIN, DOWEL	1	
17	69A-43857-00-00	...SPRING, ABSORBER VALVE	1	
18	69A-43801-00-00	...ROD	1	
19	69A-43811-01-00	...SCREW, CYLINDER END	1	
20	6H1-43866-00-00	...O-RING	1	

CONTINUED ON NEXT FRAME >

POWER TILT ASSY

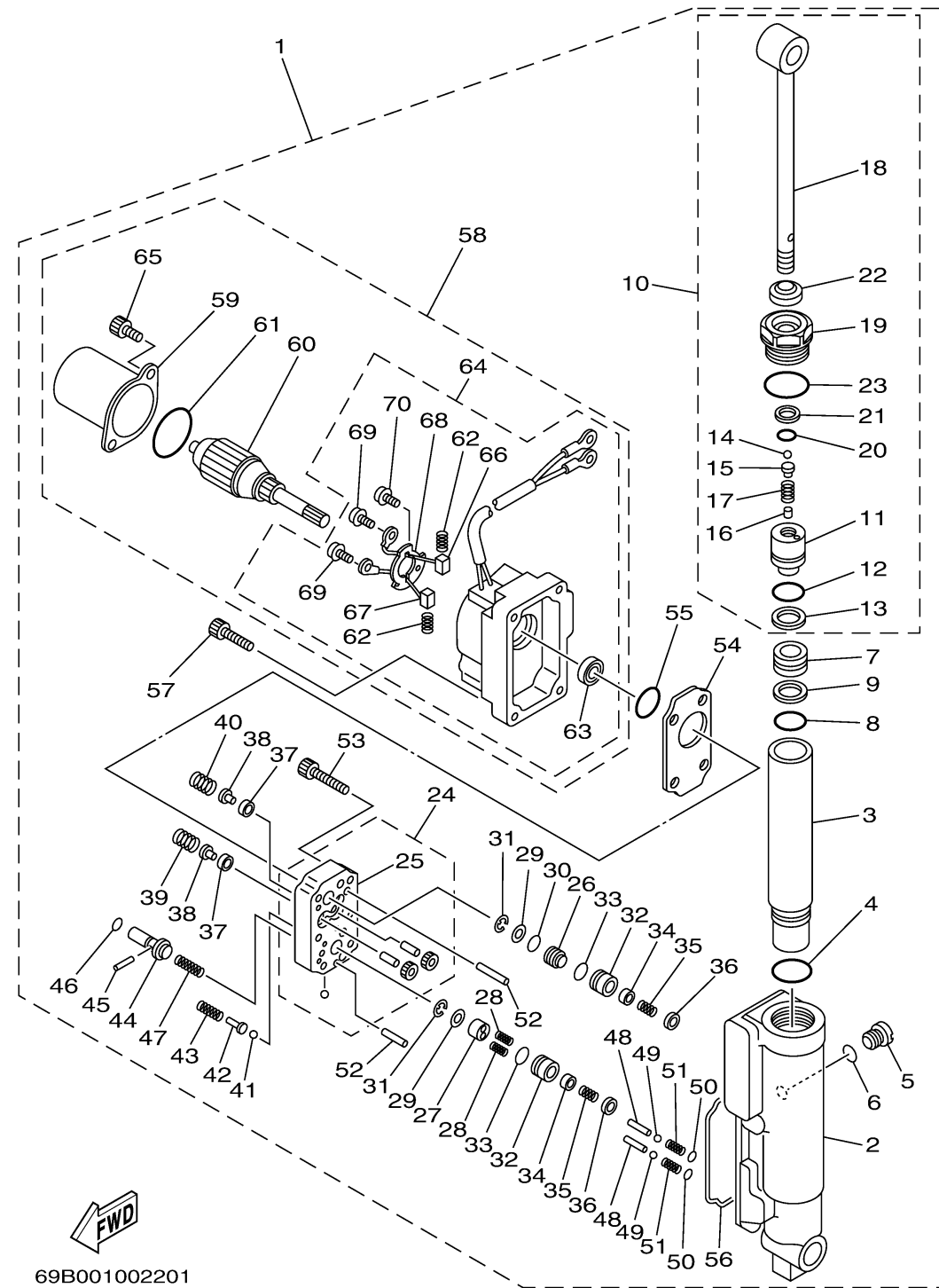


69B001002201
Revised: 11-9-2016

Ref No.	Part Number	Description	Qty	Remarks
21	69A-43871-00-00	...RING, BACK UP	1	
22	69A-43812-00-00	...SEAL, DUST	1	
23	69A-43869-00-00	...O-RING	1	
24	69A-43830-00-00	..GEAR PUMP ASSY	1	
25	69A-4380C-00-00	...GEAR HOUSING ASSY	1	
26	69A-43841-00-00	..PISTON, SHUTTLE	1	
27	69A-4384M-00-00	..PISTON, SHUTTLE 2	1	
28	62Y-43894-00-00	..SPRING, SHUTTLE RETURN	2	
29	69A-4384F-00-00	..SEAL, MAIN VALVE	2	
30	6H1-43883-00-00	..O-RING	1	
31	99001-03600-00	..CIRCLIP	2	
32	69A-4382G-00-00	..VALVE SEAT	2	
33	93210-12N52-00	..O-RING	2	
34	6T4-43808-00-00	..SEAT VALVE COMP. 1	2	
35	6T4-43853-00-00	..SPRING, MAIN VALVE	2	
36	6H1-43816-00-00	..FILTER 1	2	
37	6H1-4384G-11-00	..SEAL, RELIEF VALVE	2	
38	6H1-43844-10-00	..PIN, VALVE SUPPORT	2	
39	69A-43855-00-00	..SPRING, UP RELIEF	1	
40	6H1-43856-10-00	..SPRING, DOWN RELIEF	1	

CONTINUED ON NEXT FRAME >

POWER TILT ASSY

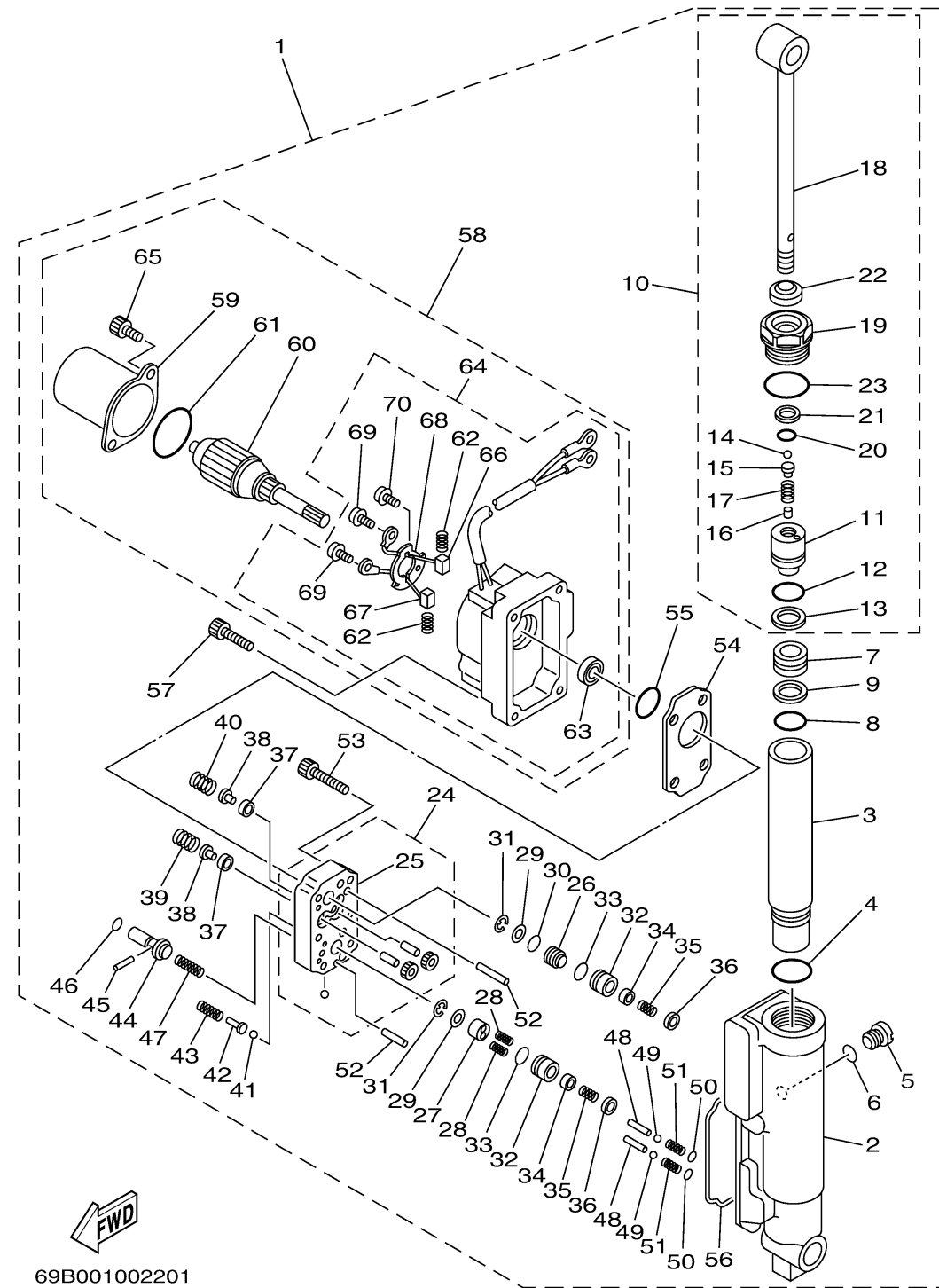


69B001002201
Revised: 11-9-2016

Ref No.	Part Number	Description	Qty	Remarks
41	93501-08001-00	..BALL	2	
42	69A-4386A-00-00	..PIN, ABSORBER VALVE	2	
43	69A-43824-00-00	..SPRING, DOWN RELIEF 2	2	
44	69A-43848-00-00	..ROD, MANUAL RELEASE	1	
45	93602-15250-00	..PIN, DOWEL	1	
46	93210-06001-00	..O-RING	1	
47	69A-43854-00-00	..SPRING, MANUAL RELEASE	1	
48	69A-4381G-00-00	..PIN 1	2	
49	93501-08001-00	..BALL	2	
50	6H1-43883-00-00	..O-RING	2	
51	69A-4384H-00-00	..SPRING	2	
52	93606-14081-00	..PIN, DOWEL	2	
53	91317-05025-00	..BOLT, HEX. SOCKET HEAD	6	
54	69A-43816-01-00	..FILTER 1	1	
55	N35-43862-10-00	..O-RING	1	
56	69A-23129-00-00	..GASKET, DRAIN PLUG	1	
57	69A-43878-00-00	..BOLT, SOCKET	4	
58	69A-43880-00-00	..MOTOR ASSY	1	
59	65W-43804-00-00	...STATOR ASSY	1	
60	65W-43805-00-00	...ARMATURE ASSY	1	

CONTINUED ON NEXT FRAME >

POWER TILT ASSY



Ref No.	Part Number	Description	Qty	Remarks
61	65W-43869-00-00	...O-RING	1	
62	65W-4386K-00-00	... SPRING, BRUSH	2	
63	65W-43882-00-00	... OIL SEAL	1	
64	69A-43881-00-00	.. FRAME, END	1	
65	65W-43887-00-00	.. BOLT	2	
66	65W-43892-00-00	... BRUSH 2	1	
67	65W-43891-00-00	... BRUSH 1	1	
68	65W-4380F-00-00	... PLATE, BRUSH HOLDER	1	
69	65W-43879-00-00	... SCREW, WITH WASHER	2	
70	65W-4388E-00-00	... BOLT	1	

69B001002201
Revised: 11-9-2016