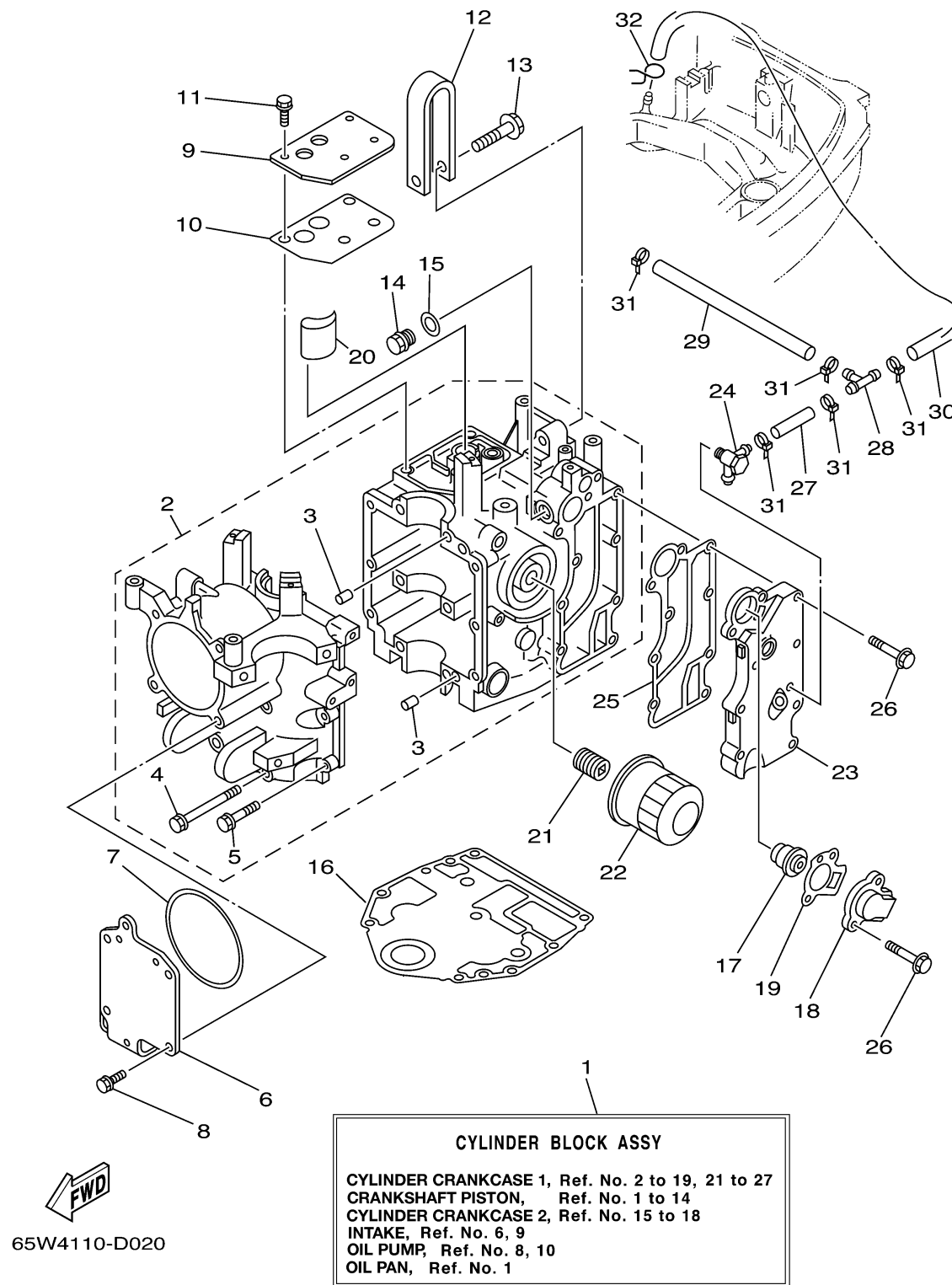


# CYLINDER CRANKCASE 1

Ref No.	Part Number	Description	Qty	Remarks
1	65W-W009B-12-1S	CYLINDER BLOCK ASSY	1	
2	65W-15100-11-1S	CRANKCASE ASSY	1	
3	99530-08012-00	. PIN, DOWEL	2	
4	90119-08M01-00	. BOLT, WITH WASHER	6	
5	90119-06MA5-00	. BOLT, WITH WASHER	6	
6	65W-15121-01-00	CRANKCASE 2	1	
7	65W-15663-00-00	.SEAL	1	
8	65W-12228-00-00	BOLT	4	
9	65W-11168-01-00	COVER, BREATHER	1	
10	65W-11169-01-00	.GASKET, BREATHER COVER	1	
11	65W-12228-00-00	BOLT	4	
12	65W-11119-00-00	HANGER, ENGINE	1	
13	90105-08M87-00	BOLT, FLANGE	1	
14	90340-14M06-00	PLUG, STRAIGHT SCREW	1	
15	90430-14115-00	.GASKET	1	
16	65W-11351-10-00	.GASKET, CYLINDER	1	
17	6G8-12411-03-00	THERMOSTAT	1	
18	6H3-12413-00-1S	COVER, THERMOSTAT	1	
19	62Y-12414-00-00	.GASKET, COVER	1	
20	65W-13286-00-00	CLEANER	1	

CONTINUED ON NEXT FRAME >



# CYLINDER CRANKCASE 1

Ref No.	Part Number	Description	Qty	Remarks
21	90401-20M00-00	BOLT, UNION	1	
22	5GH-13440-00-00	ELEMENT ASSY, OIL CLEANER	1	
23	65W-41113-10-1S	OUTER COVER, EXHAUST	1	
24	62Y-11372-01-00	NIPPLE, HOSE	1	FLUSHING KIT
25	65W-41114-00-00	.GASKET, EXHAUST OUTER COVER	1	
26	90119-06MA5-00	BOLT, WITH WASHER	9	
27	90445-09068-00	HOSE (L110)	1	
28	688-24378-00-00	PIPE, JOINT 3	1	
29	90445-09095-00	HOSE (L215)	1	
30	90445-09104-00	HOSE (L300)	1	
31	90465-11M10-00	.CLAMP	5	
32	90467-08004-00	CLIP	1	

