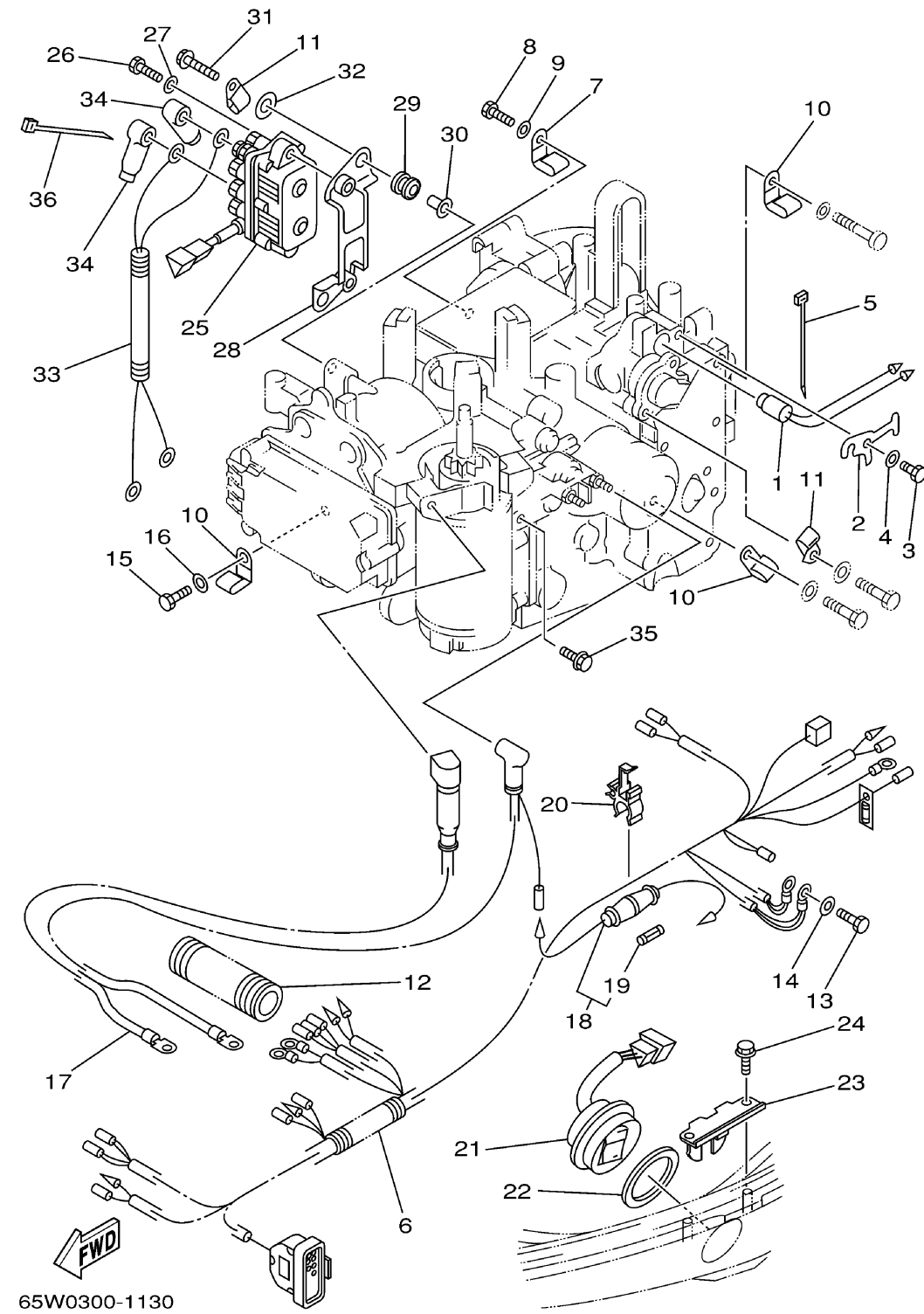
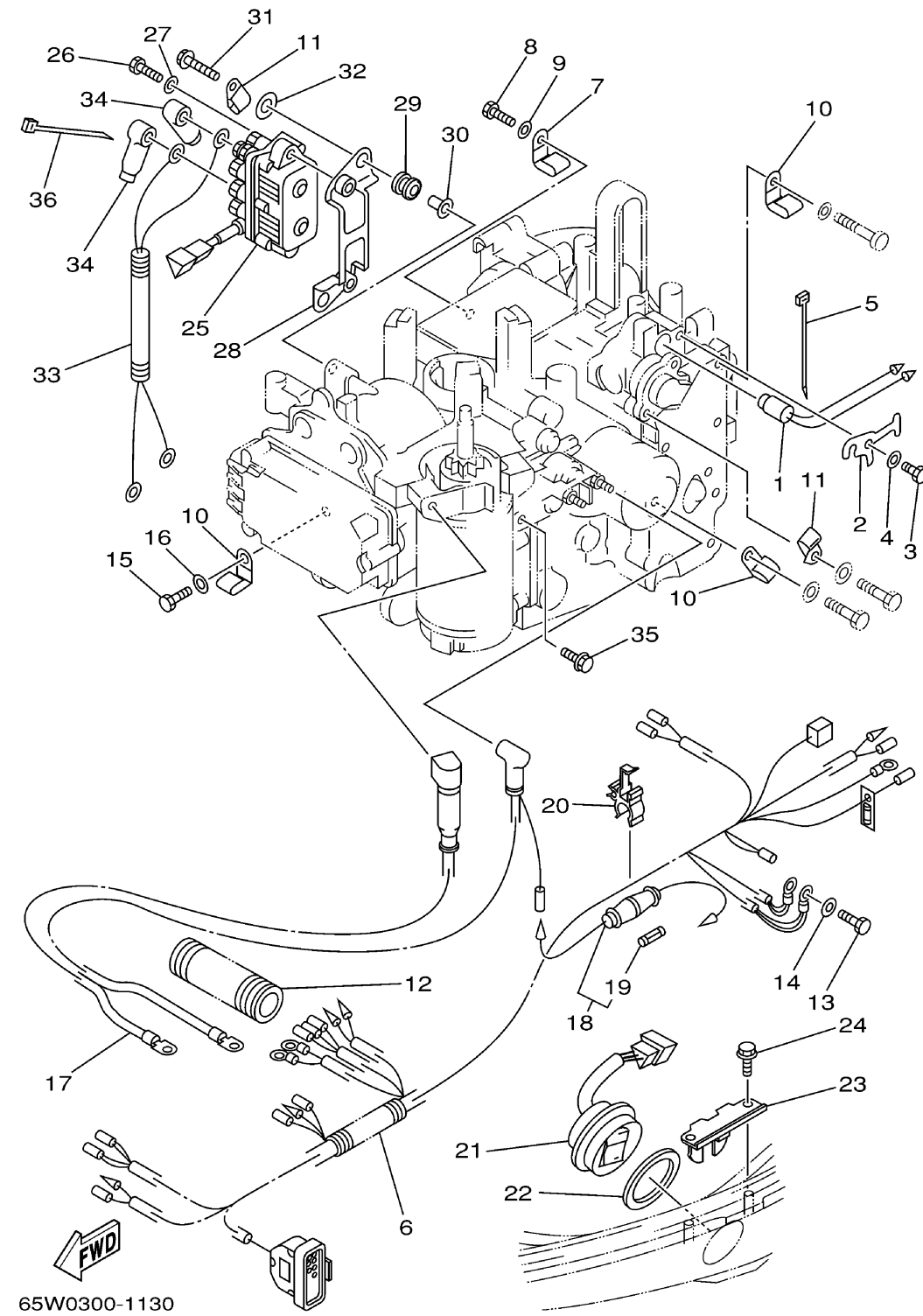


# ELECTRICAL 2



Ref No.	Part Number	Description	Qty	Remarks
1	65W-85790-00-00	THERMOSENSOR ASSY	1	
2	65W-85757-00-00	RETAINER	1	
3	97095-06012-00	.BOLT	1	
4	92995-06600-00	WASHER	1	
5	90465-11M10-00	.CLAMP	1	
6	65W-82590-00-00	WIRE HARNESS ASSY	1	UR EH
6	65W-82590-20-00	WIRE HARNESS ASSY (10P)	1	UR ER
6	65W-82590-40-00	WIRE HARNESS ASSY	1	UR MH
6	65W-82590-30-00	WIRE HARNESS ASSY (10P)	1	UR TR
7	90465-08M08-00	CLAMP	1	TR
8	97095-06016-00	BOLT	1	TR
9	92995-06600-00	WASHER	1	TR
10	90465-08M08-00	CLAMP	3	
11	90465-06M88-00	CLAMP	2	UR EH/ER/TR
11	90465-06M88-00	CLAMP	1	UR MH
12	6N7-83557-00-00	TUBE (I.DIA:22MM)	1	
13	97095-06016-00	BOLT	2	
14	92995-06600-00	WASHER	2	
15	97095-05016-00	.BOLT	1	
16	92995-05600-00	.WASHER	1	

CONTINUED ON NEXT FRAME >



## ELECTRICAL 2

Ref No.	Part Number	Description	Qty	Remarks
17	65W-82105-00-00	BATTERY CABLE	1	EH/ER/TR
18	6G8-82150-00-00	FUSE HOLDER ASSY	1	EH/ER/TR
19	663-82151-00-00	. .FUSE (12V-20A)	1	
20	6G5-82152-00-00	HOLDER, FUSE	1	EH/ER/TR
21	6H1-82563-10-00	TRIM & TILT SWITCH ASSY	1	TR
22	6E5-82587-00-00	GASKET	1	TR
23	62Y-83614-00-00	BRACKET	1	TR
24	90109-06M86-00	.BOLT	2	TR
25	61A-81950-00-00	RELAY ASSY	1	TR
26	97075-06020-00	BOLT	2	TR
27	92995-06600-00	WASHER	2	TR
28	65W-81948-00-00	BRACKET	1	TR
29	6A0-82317-00-00	DAMPER, IGNITION COIL	2	TR
30	90387-06119-00	COLLAR	2	TR
31	95895-06030-00	BOLT, FLANGE	2	TR
32	90201-12M16-00	WASHER, PLATE	2	TR
33	65W-81949-00-00	WIRE, LEAD	1	TR
34	682-82119-01-00	COVER, LEAD WIRE	4	TR
35	97575-06516-00	BOLT, WITH WASHER	1	TR
36	90465-11M10-00	.CLAMP	1	TR