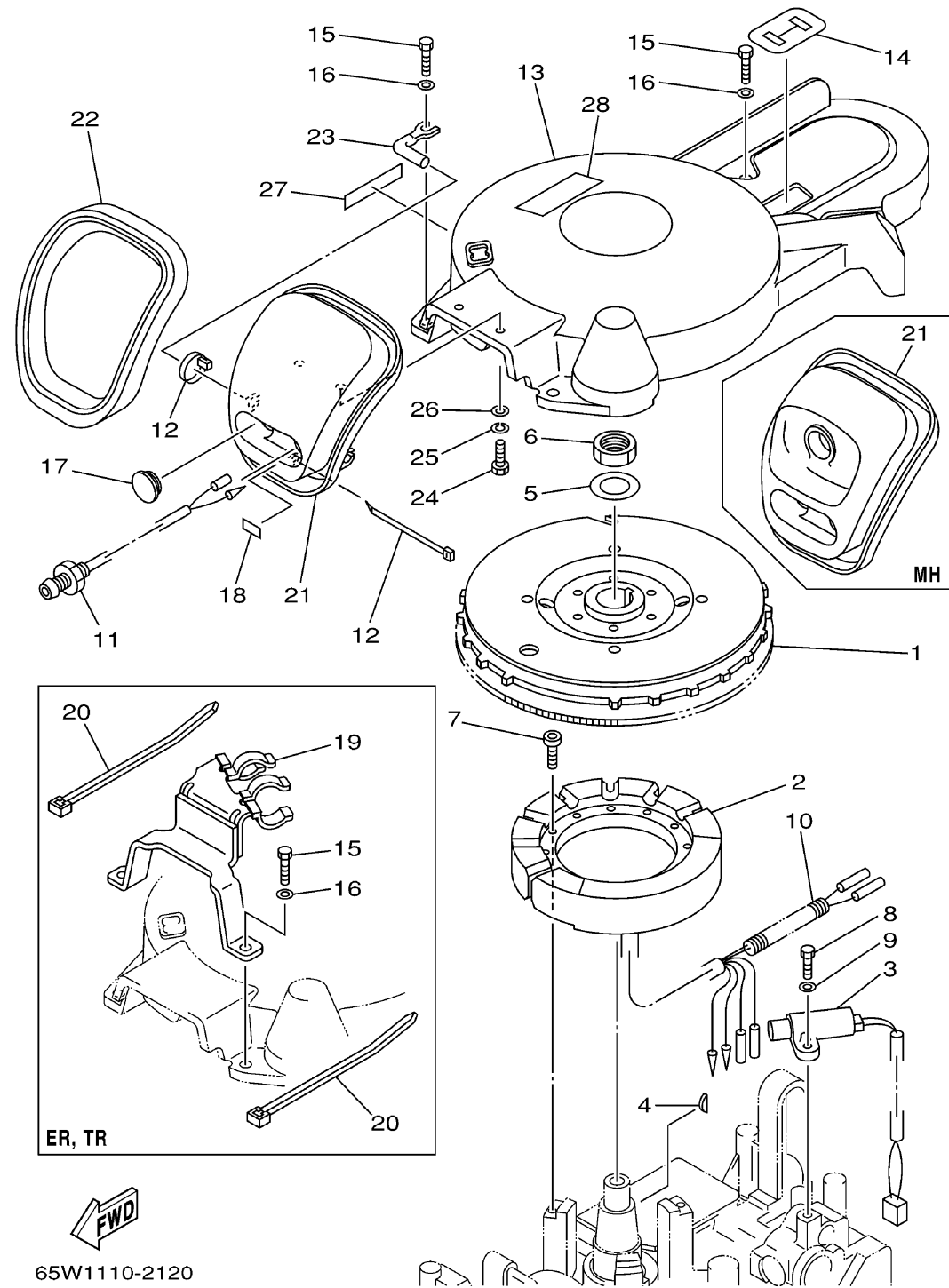


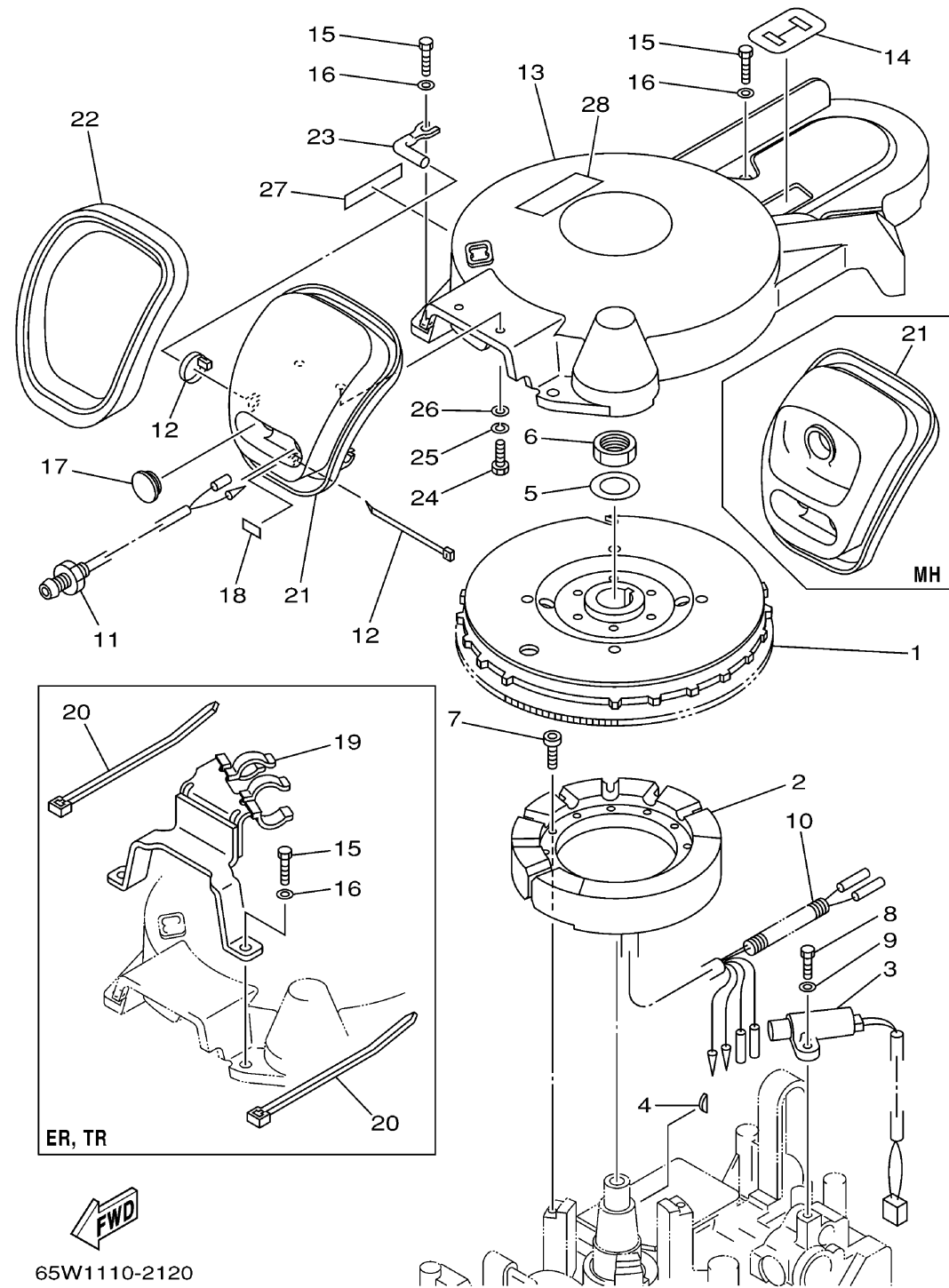
GENERATOR



Ref No.	Part Number	Description	Qty	Remarks
1	65W-85550-01-00	ROTOR ASSY	1	
2	65W-85510-00-00	STATOR ASSY	1	UR MH
2	65W-85510-10-00	STATOR ASSY	1	UR EH/ER/TR
3	65W-85580-00-00	COIL, PULSER	1	
4	65W-11545-00-00	KEY, WOODRUFF	1	
5	90201-21M18-00	WASHER, PLATE	1	
6	90170-20137-00	NUT	1	
7	91380-05025-00	BOLT	3	UR MH
7	91380-05030-00	BOLT	3	UR EH/ER/TR
8	97095-05016-00	.BOLT	2	
9	92995-05600-00	.WASHER	2	
10	90446-10M82-00	HOSE	1	
11	65W-85410-01-00	EMERGENCY SIGNAL LIGHT ASSY	1	
12	90465-11M10-00	.CLAMP	2	
13	65W-81337-00-00	COVER, FLYWHEEL	1	EH/ER/TR
14	65W-81639-00-00	PLATE, ARMATURE FITTING	1	EH/ER/TR
15	97095-06025-00	.BOLT	4	EH/ER/TR
16	92995-06600-00	WASHER	4	EH/ER/TR
17	6G1-42725-00-00	GROMMET	1	EH/ER/TR
18	65W-84342-00-00	SEAT, EMBLEM	1	

CONTINUED ON NEXT FRAME >

GENERATOR



Ref No.	Part Number	Description	Qty	Remarks
19	65W-82594-10-00	CLAMP	1	ER/TR
20	90465-13M18-00	CLAMP	2	ER/TR
21	65W-15758-10-00	GUIDE, ROPE	1	UR EH/ER/TR
21	65W-15758-00-00	GUIDE, ROPE	1	UR MH
22	65W-15762-00-00	SEAL, RUBBER 2	1	
23	65W-15771-00-00	STAY 1	1	
24	97095-06020-00	BOLT	2	
25	92995-06100-00	WASHER, SPRING	2	
26	92995-06600-00	WASHER	2	
27	65W-13437-42-00	MARK, CAUTION	1	EH/ER/TR
28	6A1-83625-41-00	MARK 5	1	EH/ER/TR