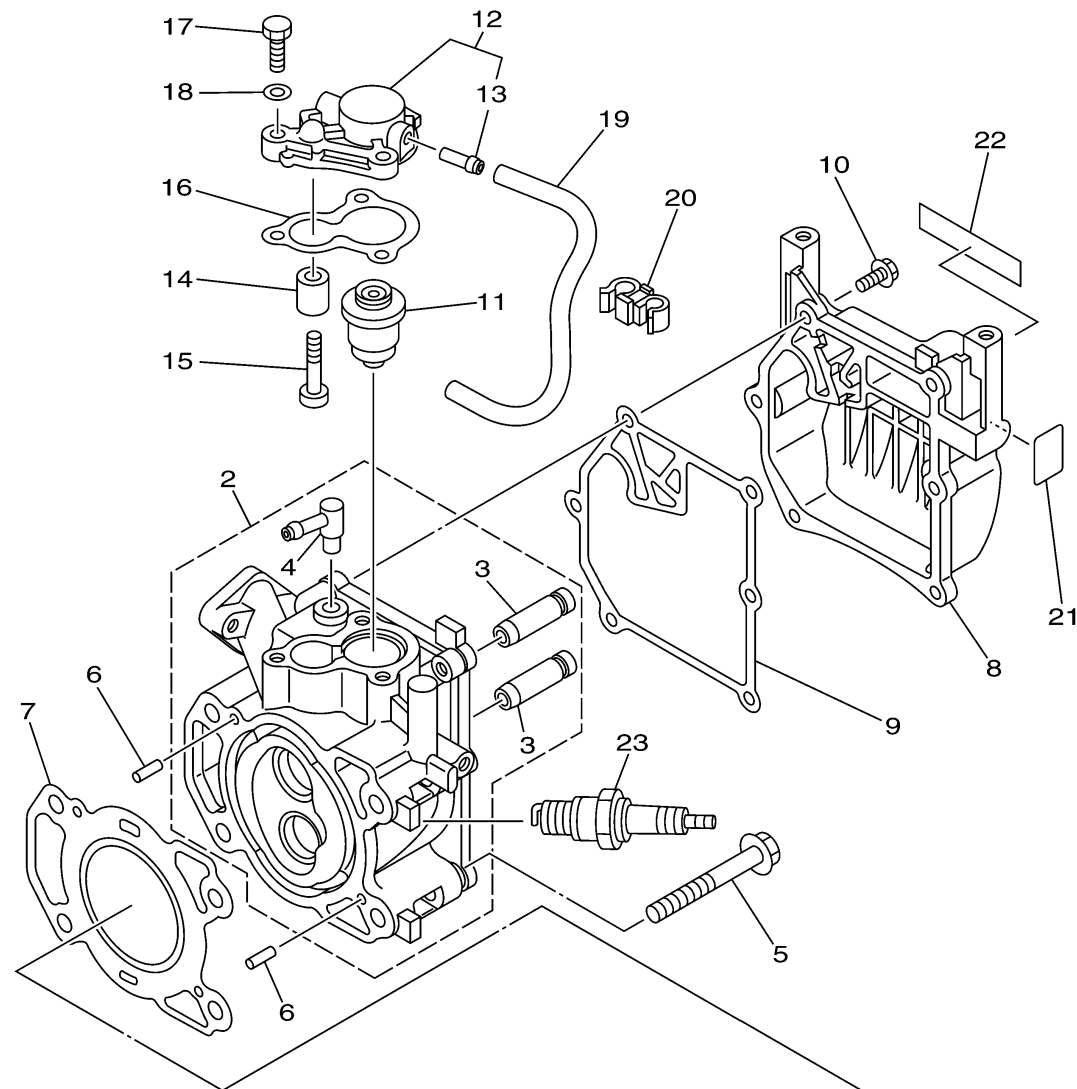
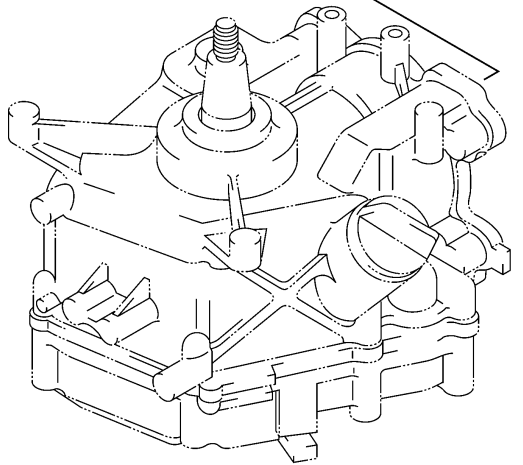


CYLINDER CRANKCASE 1



CRANK CYLINDER ASSY
 CYLINDER CRANKCASE 1, Ref. No. 2 to 18
 CRANKSHAFT PISTON, Ref. No. 1 to 8
 CYLINDER CRANKCASE 2, Ref. No. 1 to 25
 VALVE, Ref. No. 1 to 14
 INTAKE, Ref. No. 4, 9, 10
 UPPER CASING, Ref. No. 5



Ref No.	Part Number	Description	Qty	Remarks
1	69M-WE090-01-1S	CRANK CYLINDER ASSY	1	
2	69M-E1111-00-1S	HEAD, CYLINDER 1	1	
3	67D-11133-10-00	. .GUIDE, VALVE 1	2	
4	676-11372-00-00	. .NIPPLE, HOSE	1	
5	90105-08M36-00	BOLT, FLANGE	4	
6	93604-12M07-00	PIN, DOWEL	2	
7	69M-11181-00-00	.GASKET, CYLINDER HEAD 1	1	
8	69M-E1191-00-1S	COVER, CYLINDER HEAD 1	1	
9	69M-11193-A0-00	.GASKET, HEAD COVER 1	1	
10	90105-06039-00	BOLT, FLANGE	6	
11	69M-12411-01-00	THERMOSTAT	1	
12	69M-E2413-00-1S	COVER, THERMOSTAT	1	
13	650-24378-00-00	. .PIPE, JOINT 4	1	
14	68D-E1325-00-00	ANODE	1	
15	97880-05025-00	.SCREW, PAN HEAD	1	
16	68D-E2414-A0-00	.GASKET, COVER	1	
17	97095-06020-00	BOLT	3	
18	92995-06600-00	WASHER	3	
19	90445-09808-00	HOSE (L240)	1	
20	90464-09013-00	CLAMP	1	

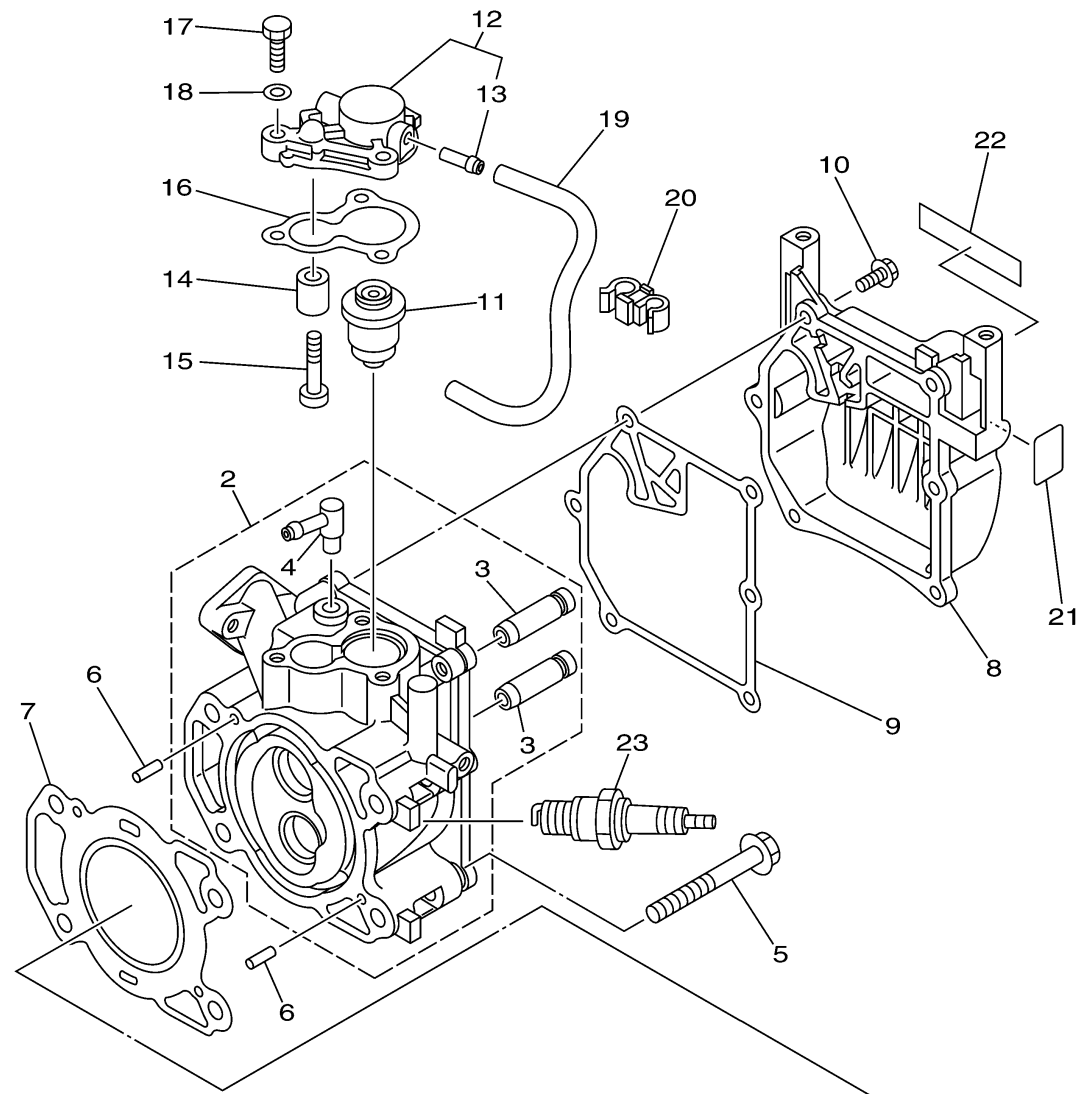
CONTINUED ON NEXT FRAME >



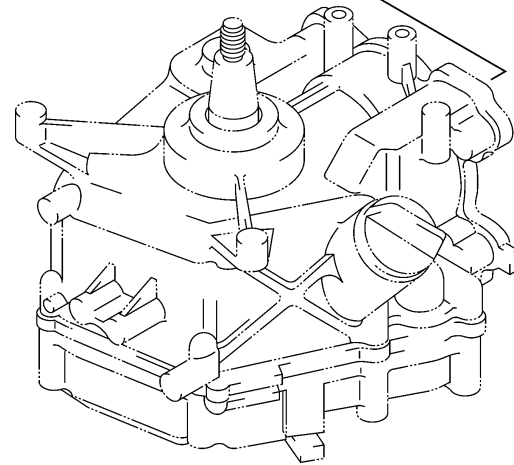
69M2100-C020

CYLINDER CRANKCASE 1

Ref No.	Part Number	Description	Qty	Remarks
21	67D-42791-10-00	MARK 1	1	
22	68D-E2138-40-00	MARK, CAUTION	1	
23	NGK-BR6HS-00-00	PLUG, SPARK (NGK BR6HS)	1	



CRANK CYLINDER ASSY
 CYLINDER CRANKCASE 1, Ref. No. 2 to 18
 CRANKSHAFT PISTON, Ref. No. 1 to 8
 CYLINDER CRANKCASE 2, Ref. No. 1 to 25
 VALVE, Ref. No. 1 to 14
 INTAKE, Ref. No. 4, 9, 10
 UPPER CASING, Ref. No. 5



69M2100-C020