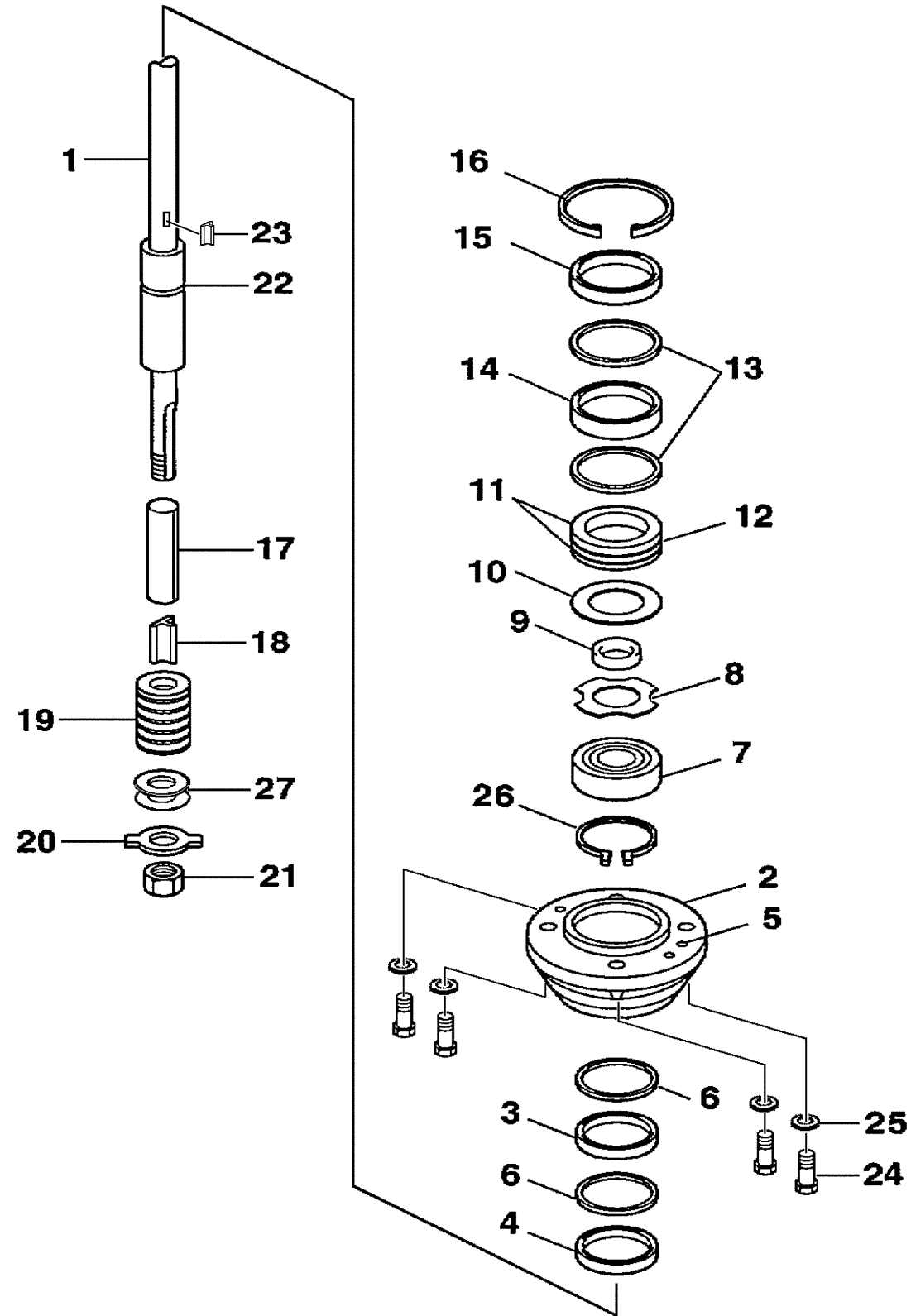


DRIVE 1 F40

Ref No.	Part Number	Description	Qty	Remarks
1	67C-JD016-43-00	DRIVESHAFT ONLY	1	
1	67C-JD016-44-00	DRIVESHAFT ASSEMBLY	1	
2	63D-JD001-38-00	BEARING CARRIER	1	
3	6H4-JD005-06-00	. SHAFT SEAL (N472324)	1	
4	6H4-JD005-07-00	. SHAFT SEAL (N6324S)	1	
5	6H4-JD005-21-00	. O-RING	3	
6	6H4-JD005-17-00	. RETAINING RING	2	
7	6H4-JD005-04-00	BEARING, SINGLE ROW	1	
8	6H4-JD008-32-00	THRUST WASHER	1	
9	6H4-JD004-77-00	COLLAR, BACKFIT	1	
10	6H4-JD008-33-00	SPACER	1	
11	6H4-JD004-33-00	SEAL CARRIER	1	
12	6H4-JD005-26-00	. O-RING	2	
13	6H4-JD005-17-00	RETAINING RING	2	
14	6H4-JD005-06-00	SHAFT SEAL (N472324)	1	
15	6H4-JD005-07-00	SHAFT SEAL (N6324S)	1	
16	6H4-JD005-12-00	RETAINING RING	1	
17	6H4-JD000-36-00	SHAFT SLEEVE, IMPELLER	1	
18	63D-JD017-05-00	KEY, IMPELLER TEE	1	1/2" ROUND
19	6H4-JD000-21-00	SHIM WASHER	8	

CONTINUED ON NEXT FRAME >



DRIVE 1 F40

Ref No.	Part Number	Description	Qty	Remarks
20	6H4-JD008-05-00	NUT, KEEPER	1	
21	6H4-JD000-22-10	NUT, DRIVESHAFT FLAT	1	
22	6H4-JD000-41-00	SHAFT BEARING THRUST RING	1	
23	6H4-JD000-12-75	TEE KEY, DRIVESHAFT	1	
24	6H4-JD005-73-00	BOLT	4	
25	6H4-JD006-38-00	WASHER, SPRING LOCK	4	
26	6H4-JD005-11-00	RETAINING RING	1	
27	63D-JD017-18-00	TORSIONAL DAMPER KIT	1	

