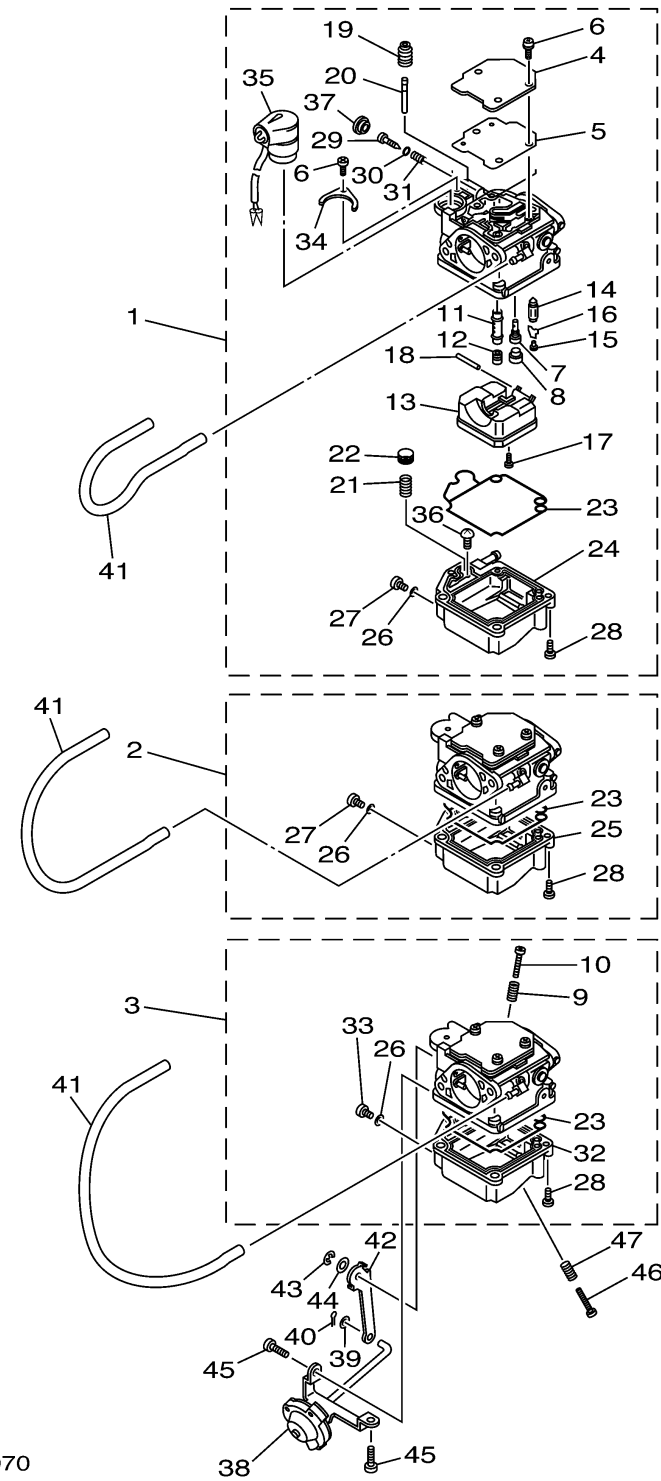


CARBURETOR

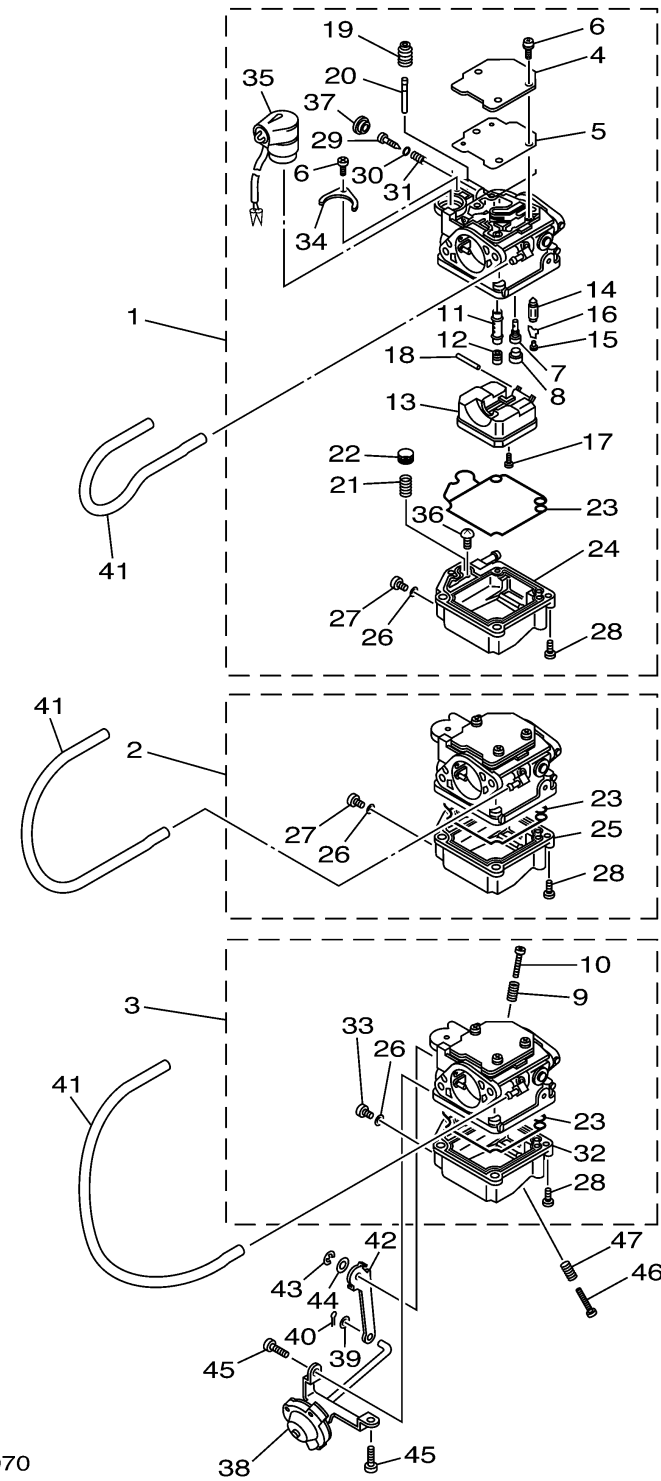


67C2100-3070

Ref No.	Part Number	Description	Qty	Remarks
1	69H-14901-12-00	CARBURETOR ASSY 1	1	UR F30
1	67C-14901-13-00	CARBURETOR ASSY 1	1	UR F40
2	67C-14902-13-00	CARBURETOR ASSY 2	1	UR F40
2	69H-14902-12-00	CARBURETOR ASSY 2	1	UR F30
3	69H-14903-12-00	CARBURETOR ASSY 3	1	UR F30
3	67C-14903-13-00	CARBURETOR ASSY 3	1	UR F40
4	65W-14572-00-00	..PLATE	3	
5	65W-14126-10-00	..GASKET	3	
6	97803-04010-00	..SCREW, PAN HEAD	13	
7	67C-14948-00-00	..JET (#40)	3	UR F30
7	67C-14948-02-00	..JET (#38)	3	UR F40
8	679-14966-00-00	..RUBBER CAP	3	
9	90501-10326-00	..SPRING, COMPRESSION	1	#3
10	63V-14523-00-00	..SCREW, STOP	1	#3
11	69H-14947-00-00	..JET, NEEDLE	3	UR F30
11	67C-14948-01-00	..JET (#35)	3	UR F40
12	67C-14943-25-00	..JET, MAIN (#95)	3	UR F40
12	69H-14943-22-00	..JET, MAIN (#88)	3	UR F30
13	63V-14985-00-00	..FLOAT	3	
14	6G1-14546-01-00	..VALVE, NEEDLE	3	

CONTINUED ON NEXT FRAME >

CARBURETOR



Ref No.	Part Number	Description	Qty	Remarks
15	676-14186-00-00	. PIN, FLOAT	3	
16	663-14159-00-00	. .CLIP	3	
17	98580-04008-00	. .SCREW, PAN HEAD	3	
18	6H4-14548-00-00	. .PIN, FLOAT ARM	3	
19	65W-14373-01-00	. COVER, PLUNGER CAP	3	
20	67C-14379-00-00	. .ROD, STARTER	3	UR F30
20	67C-14379-10-00	. .ROD, STARTER	3	UR F40
21	65W-14335-00-00	. .SPRING, PLUNGER	3	
22	67C-14371-00-00	. PLUNGER, STARTER	3	
23	65W-14384-00-00	. .GASKET, FLOAT CHAMBER	3	
24	67C-14980-00-00	. BODY, FLOAT CHAMBER	1	UR F40-#1
24	69H-14980-00-00	. .BODY, FLOAT CHAMBER	1	UR F30-#1
25	69H-14981-00-00	. .BODY, FLOAT CHAMBER	1	UR F30-#2
25	67C-14981-00-00	. BODY, FLOAT CHAMBER	1	UR F40-#2
26	65W-14398-00-00	. .GASKET	3	
27	65W-14992-00-00	. .SCREW, DRAIN	2	#1, 2
28	97980-04114-00	. .SCREW, WITH WASHER	12	
29	67C-14923-00-00	. .SCREW, PILOT	3	
30	67C-14397-00-00	. .O-RING	3	
31	67C-14555-00-00	. .SPRING	3	

CONTINUED ON NEXT FRAME >

67C2100-3070

