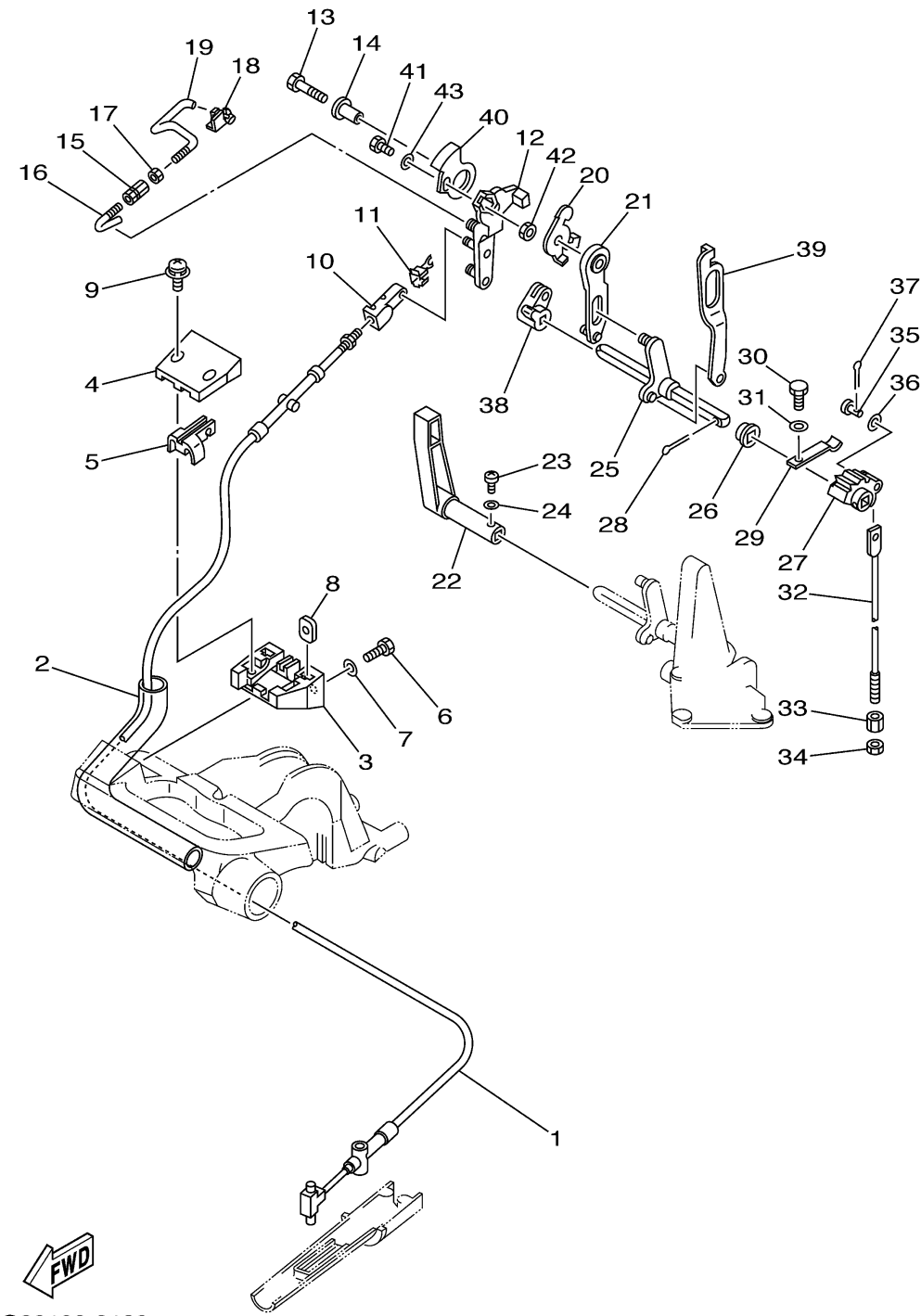


CONTROL 1 MH

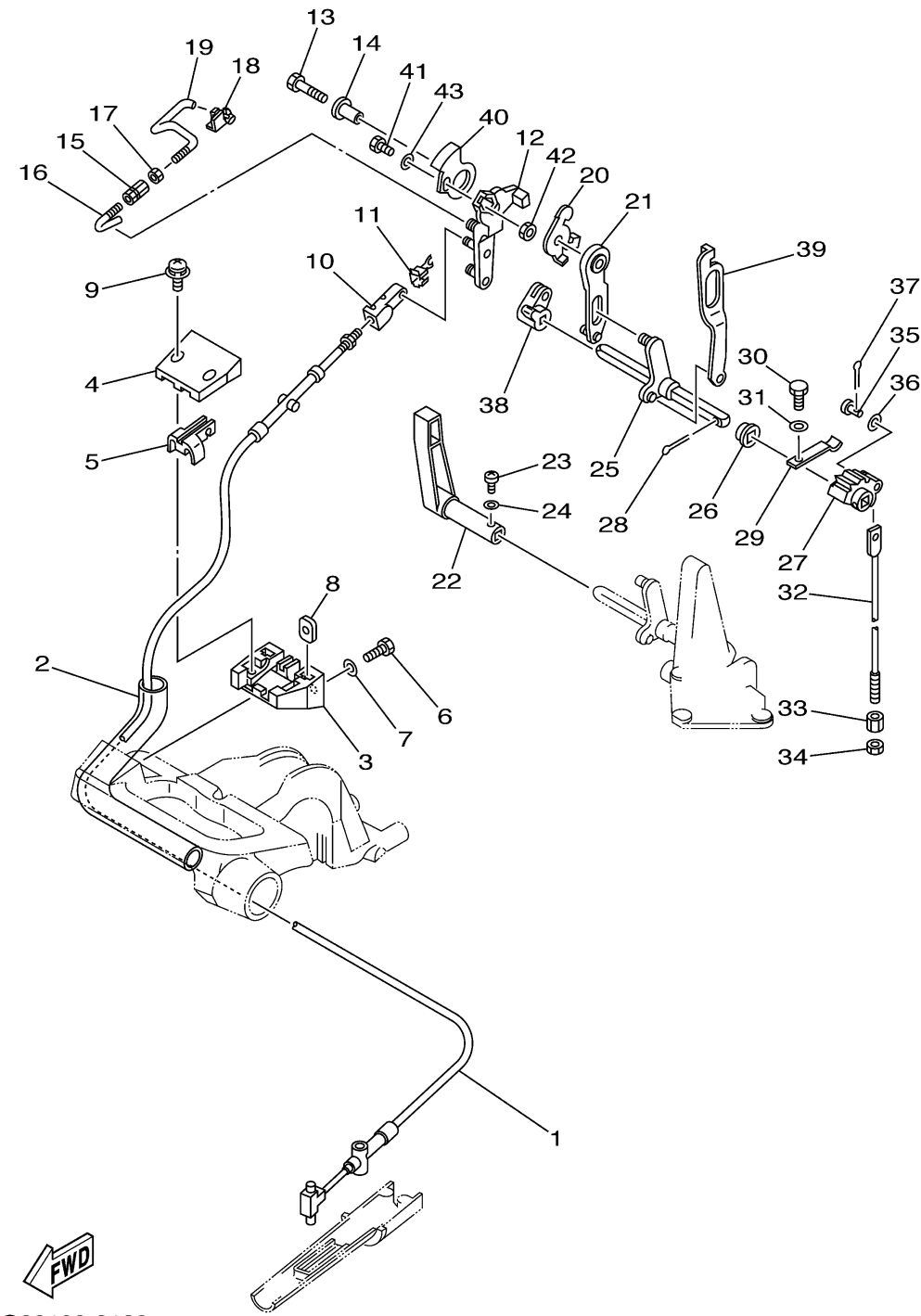


6G90100-9180

Ref No.	Part Number	Description	Qty	Remarks
1	6G9-48311-02-00	CABLE	1	
2	90445-24M00-00	HOSE (L165)	1	
3	6G8-41661-00-98	BRACKET	1	
4	6G8-41662-00-98	BRACKET	1	
5	6G8-41663-00-00	BRACKET 3	1	
6	97095-06016-00	BOLT	2	
7	92995-06600-00	WASHER	2	
8	6G8-41654-00-00	NUT	2	
9	90159-05M06-00	SCREW, WITH WASHER	2	
10	6G8-26363-00-00	.END, WIRE 1	1	
11	6G8-26364-00-00	.END, CABLE	1	
12	6G8-41212-00-00	ARM, ACCEL.	1	
13	97013-06030-00	BOLT	1	
14	90387-06M58-00	COLLAR	1	
15	6G8-41238-01-00	JOINT, LINK	1	
16	6G8-41241-01-00	ROD, LINK	1	
17	95380-04600-00	.NUT	1	
18	6G8-41237-01-00	JOINT, LINK	1	
19	6G8-41242-01-00	ROD 2	1	
20	6G8-14493-00-00	STAY 1	1	

CONTINUED ON NEXT FRAME >

CONTROL 1 MH



6G90100-9180

Ref No.	Part Number	Description	Qty	Remarks
21	6G8-44111-00-00	HANDLE, GEAR SHIFT	1	
22	6G9-44111-00-98	HANDLE, GEAR SHIFT	1	
23	97880-04016-00	SCREW, PAN HEAD	1	
24	92990-04600-00	WASHER, PLATE	1	
25	6G8-44159-00-00	HANDLE, GEAR SHIFT	1	
26	682-44132-00-00	BUSHING	1	
27	682-44121-01-00	LEVER, SHIFT ROD	1	
28	91490-25020-00	PIN. COTTER	1	
29	682-44116-01-00	SPRING	1	
30	97095-06014-00	BOLT	1	
31	92995-06600-00	WASHER	1	
32	6G9-44143-00-00	ROD, SHIFT	1	UR S (17.0")
32	6G8-44143-10-00	ROD, SHIFT	1	UR L (22.0")
33	90170-06015-00	NUT	1	
34	95380-06700-00	NUT	1	
35	91790-05020-00	PIN, CLEVIS	1	
36	92990-05600-00	WASHER, PLATE	1	
37	91490-16010-00	PIN. COTTER	1	
38	6G8-44125-00-00	LEVER, SHIFT ROD	1	
39	6G8-44124-11-00	LINK, SHIFT ROD	1	

CONTINUED ON NEXT FRAME >

