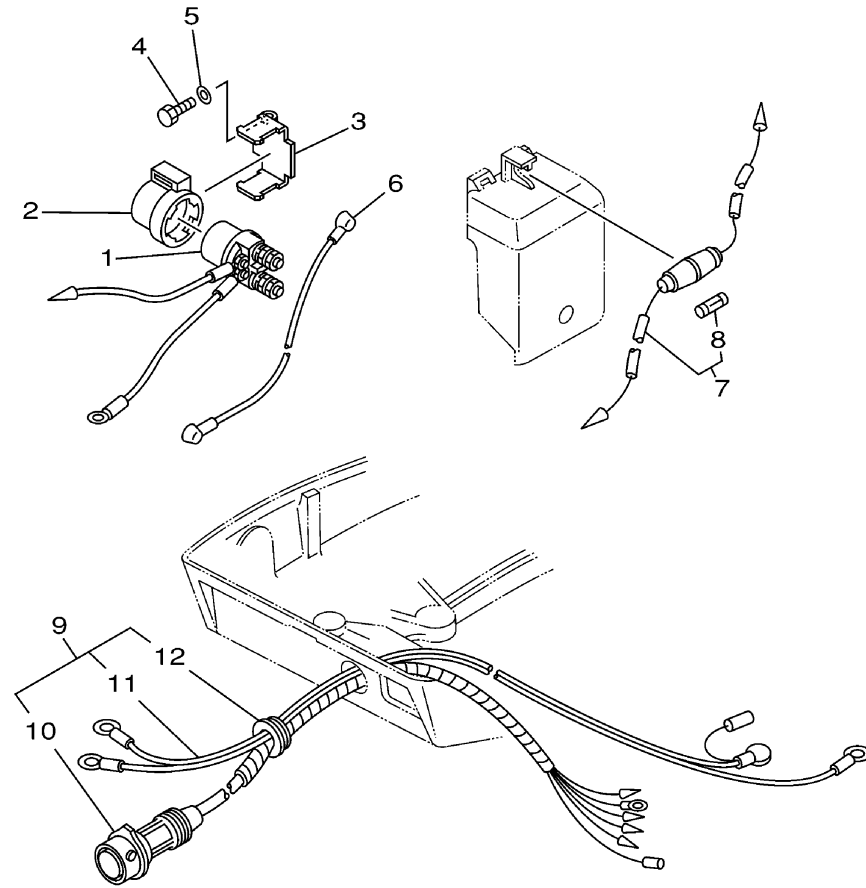


ELECTRICAL 2



Ref No.	Part Number	Description	Qty	Remarks
1	6J0-81941-10-00	STARTER RELY ASSY	1	ER
2	6G1-81952-00-00	HOLDER, RELAY	1	ER
3	6G8-81953-00-00	STAY, RELAY	1	ER
4	97095-06012-00	BOLT	1	ER
5	92995-06600-00	WASHER	1	ER
6	6G8-82117-00-00	WIRE, LEAD	1	ER
7	6G8-82150-00-00	FUSE HOLDER ASSY	1	ER
8	663-82151-00-00	. . FUSE (12V-20A)	1	
9	6G8-82580-00-00	WIRE HARNESS ASSY 2	1	ER
10	6G8-82590-00-00	. WIRE HARNESS ASSY	1	
11	6G8-82105-01-00	. BATTERY CABLE	1	
12	6G8-42724-50-00	. GROMMET	1	



6G90110-9130