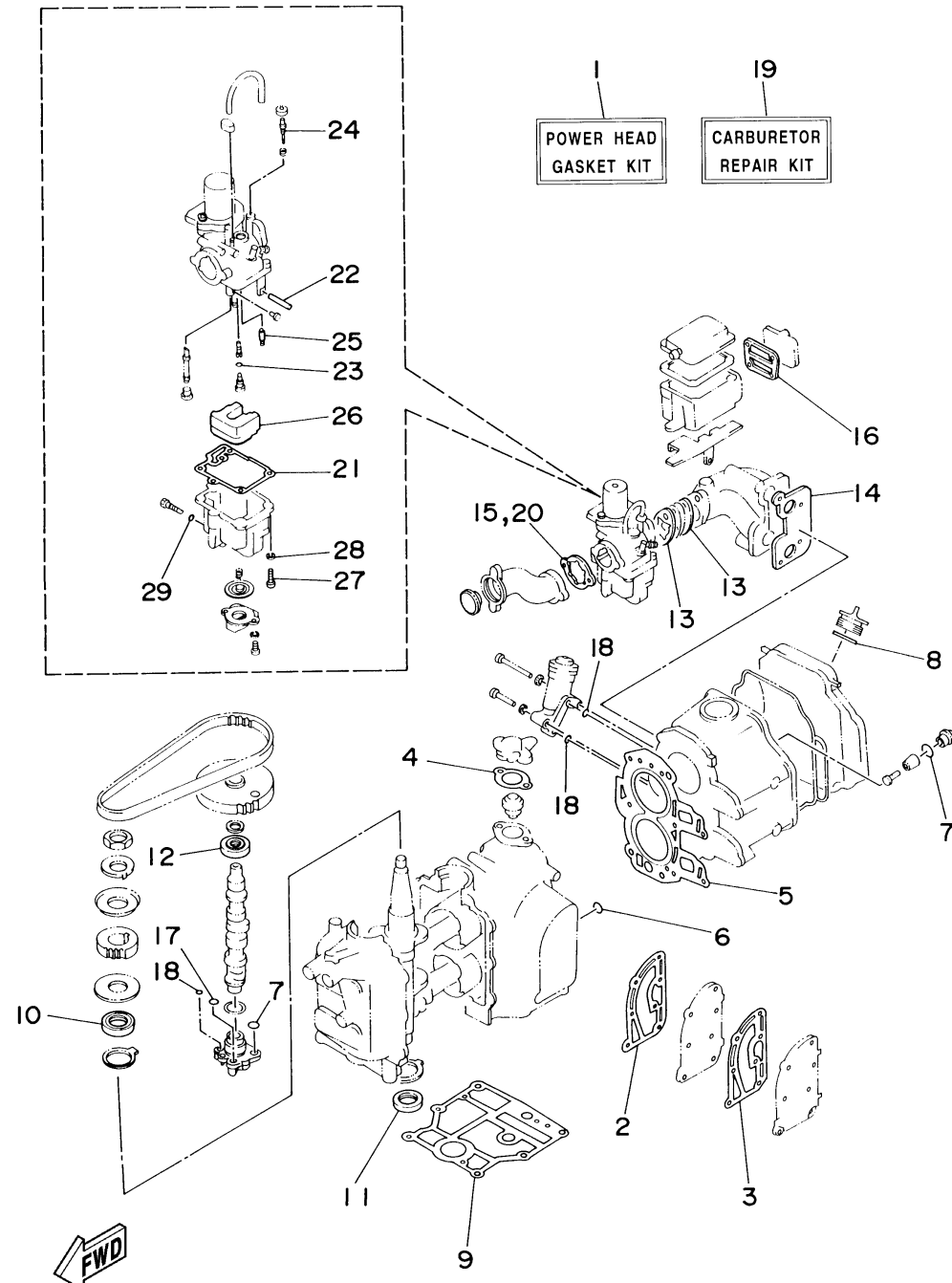


REPAIR KIT 1

Ref No.	Part Number	Description	Qty	Remarks
1	6G8-W0001-A3-00	POWER HEAD GASKET KIT	1	
2	6G8-41112-02-00	. GASKET, EXHAUST INNER COVER	1	
3	6G8-41114-00-00	. GASKET, EXHAUST OUTER COVER	1	
4	6G8-12414-A0-00	. GASKET, COVER	1	
5	6G8-11181-A1-00	. GASKET, CYLINDER HEAD 1	1	
6	93210-11M59-00	. O-RING	1	
7	93210-13M63-00	. O-RING	3	
8	93210-24M79-00	. O-RING	1	
9	6G8-11351-A0-00	. GASKET, CYLINDER	1	
10	93102-30M22-00	. OIL SEAL	1	
11	93101-25M24-00	. OIL SEAL	1	
12	93102-18M21-00	. OIL SEAL	1	
13	6G8-13646-A0-00	. GASKET, MANIFOLD 2	2	
14	6G8-13645-00-00	. GASKET, MANIFOLD 1	1	
15	6G8-14198-A0-00	. GASKET	1	
16	6G8-15374-00-00	. GASKET, BREATHER	1	
17	93210-10M61-00	. O-RING	1	
18	93210-09M01-00	. O-RING	3	
19	6G8-W0093-03-00	CARBURETOR REPAIR KIT	1	
20	6G8-14198-A0-00	. GASKET	1	

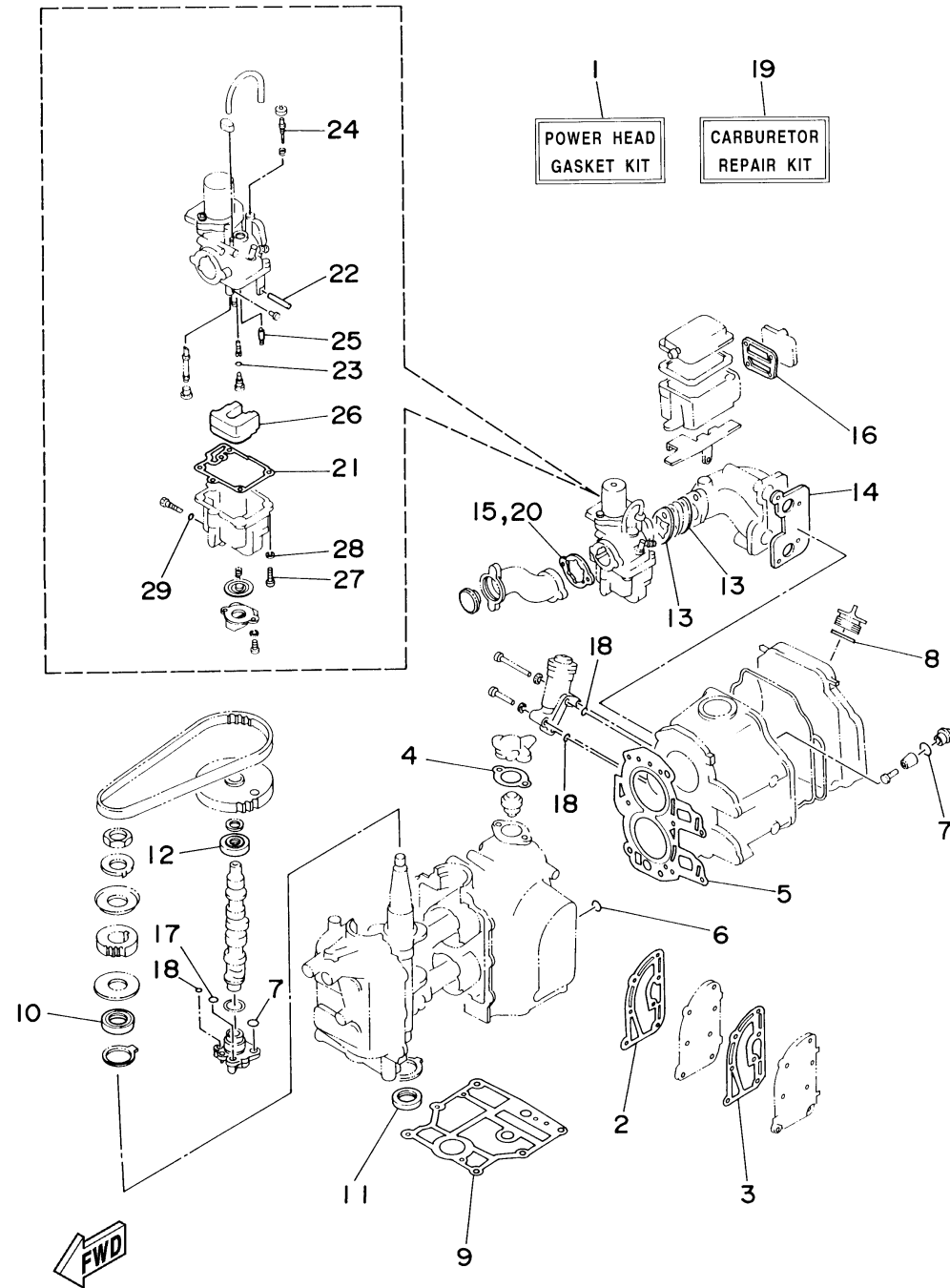
CONTINUED ON NEXT FRAME >



6G80100-4320

REPAIR KIT 1

Ref No.	Part Number	Description	Qty	Remarks
21	6G8-14384-01-00	. GASKET, FLOAT CHAMBER	1	
22	647-14386-00-00	. .PIN, FLOAT	1	
23	654-14198-00-00	. GASKET	1	
24	6G8-14323-00-00	. SCREW, AIR ADJUSTING	1	
25	6G8-14392-00-00	. VALVE, NEEDLE	1	
26	6G8-14385-00-00	. FLOAT	1	
27	98580-04016-00	. SCREW, PAN HEAD	1	
28	92990-04100-00	. .WASHER, SPRING	1	
29	5Y1-14397-00-00	. O-RING	1	



6G80100-4320