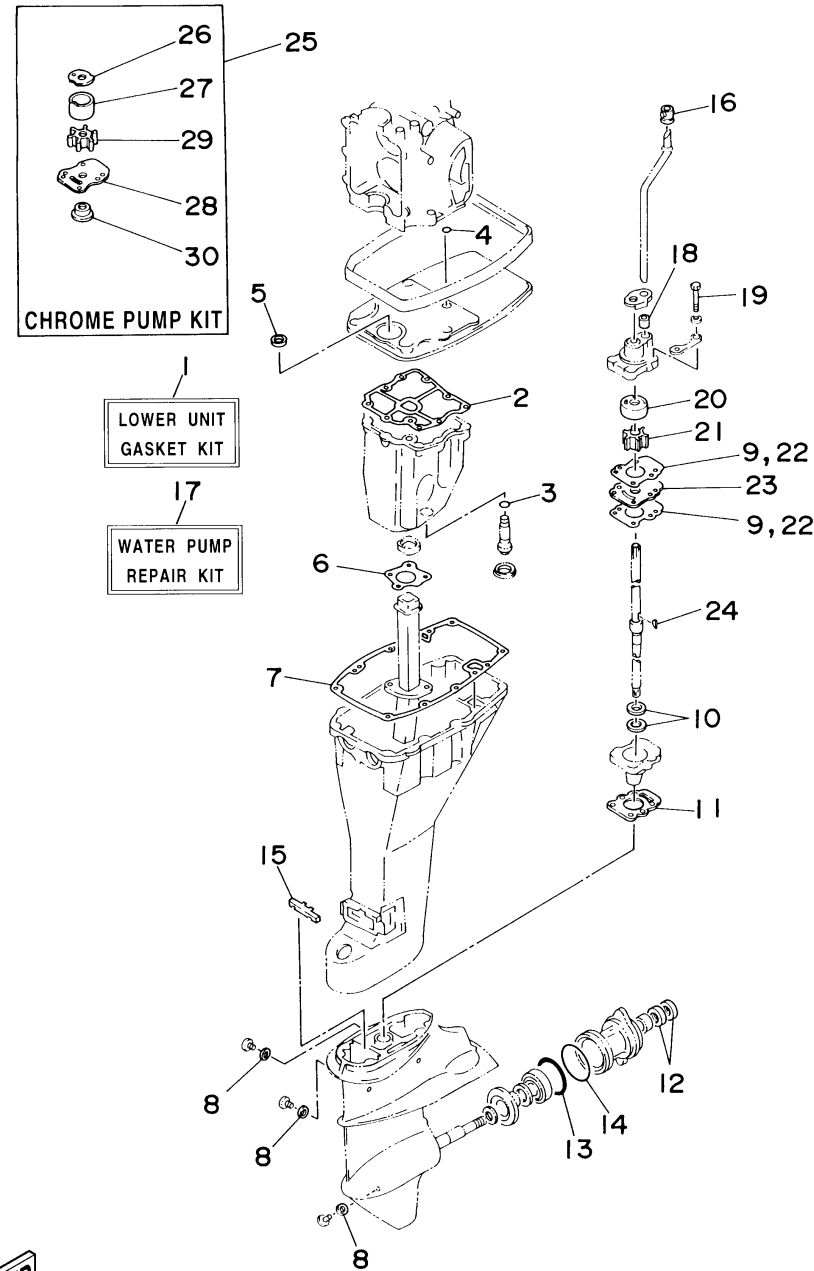


REPAIR KIT 2



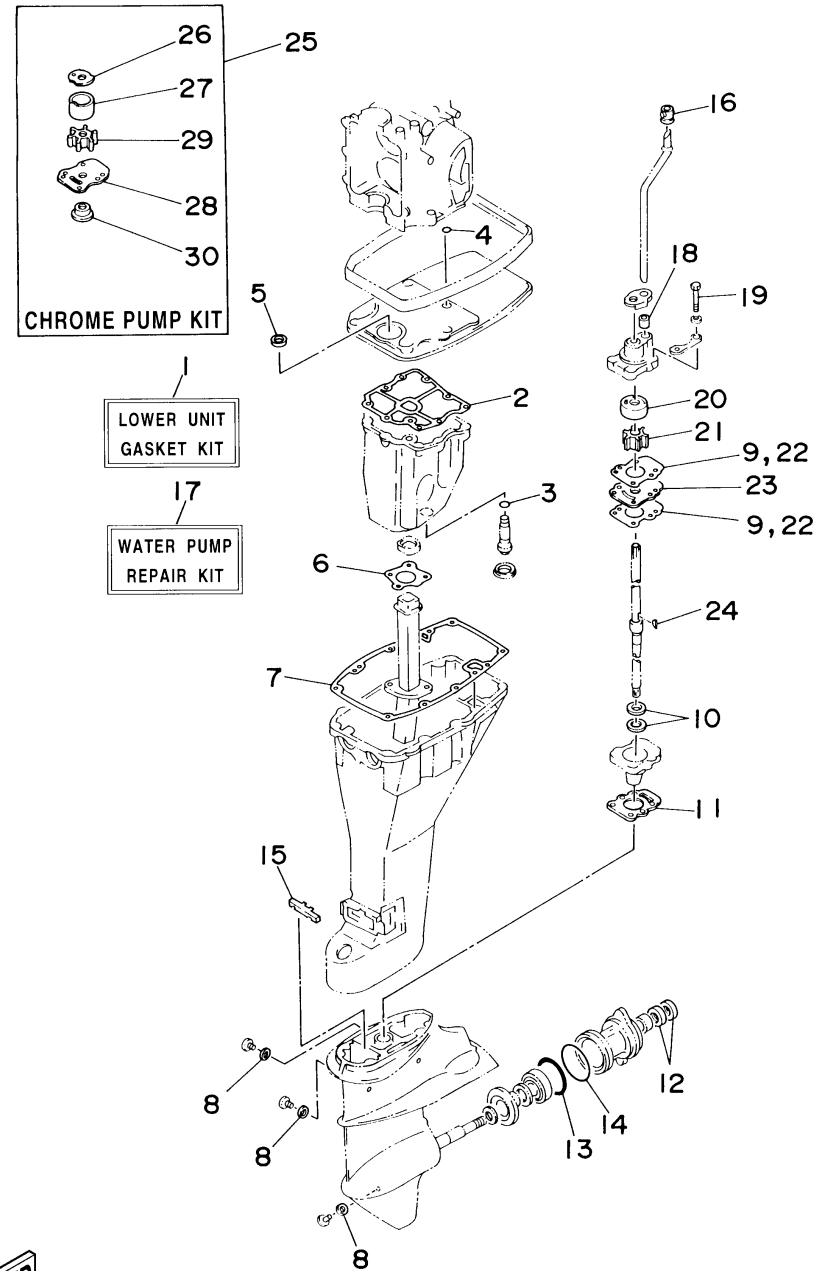
Ref No.	Part Number	Description	Qty	Remarks
1	6G9-W0001-C6-00	LOWER UNIT GASKET KIT	1	
2	6G8-15312-A1-00	. .GASKET, OIL PAN	1	
3	93210-16M64-00	. .O-RING	1	
4	93210-08M60-00	. .O-RING	1	
5	93101-13M27-00	. .O-RING	1	
6	6G8-41133-A0-00	. .GASKET, EXHAUST MANIFOLD 1	1	
7	6G8-45113-A1-00	. .GASKET, UPPER CASING	1	
8	90430-08020-00	. .GASKET	3	
9	682-44315-A0-00	. .GASKET, WATER PUMP	2	
10	93101-20048-00	. .OIL SEAL	2	
11	683-45315-A0-00	. .PACKING, LOWER CASING	1	
12	93101-17054-00	. .OIL SEAL	2	
13	93210-57M09-00	. .O-RING	1	
14	93210-56M80-00	. .O-RING	1	
15	682-45375-01-00	. .DAMPER, SEAL	1	
16	626-44365-01-00	. .DAMPER, WATER SEAL	1	
17	682-W0078-A3-00	WATER PUMP REPAIR KIT	1	
18	682-44365-00-00	. .DAMPER, WATER SEAL	1	
19	97095-06045-00	. .BOLT	4	
20	682-44322-00-00	. .INSERT, CARTRIDGE	1	

CONTINUED ON NEXT FRAME >



6G90100-4330

REPAIR KIT 2



Ref No.	Part Number	Description	Qty	Remarks
21	682-44352-03-00	. IMPELLER	1	
22	682-44315-A0-00	. GASKET, WATER PUMP	2	
23	682-44323-00-00	. OUTER PLATE, CARTRIDGE	1	
24	90280-03024-00	. KEY, WOODRUFF	1	
25	682-W0078-0B-00	WATER PUMP REPAIR KIT	1	
26	682-44321-40-00	. INNER PLATE, CARTRIDGE	1	
27	682-44322-40-00	. INSERT, CARTRIDGE	1	
28	682-44323-40-00	. OUTER PLATE, CARTRIDGE	1	
29	682-44352-03-00	. IMPELLER	1	
30	682-45344-00-00	. COVER, OIL SEAL	1	



6G90100-4330

F9.9MSH (6G95)

F9.9MLH (6G95)

Engine Serial No. (F9.9ER_EH_MH): 6G9K-1003504 and following

F9.9ELR (6G95)

**ALL THESE MODELS USE THIS SAME PARTS CATALOG.
BE SURE TO ORDER ONLY THOSE PARTS APPLICABLE
TO THE DESIRED MODEL.**

MODELS IN THIS CATALOG

Ref No.	Part Number	Description	Qty	Remarks
---------	-------------	-------------	-----	---------