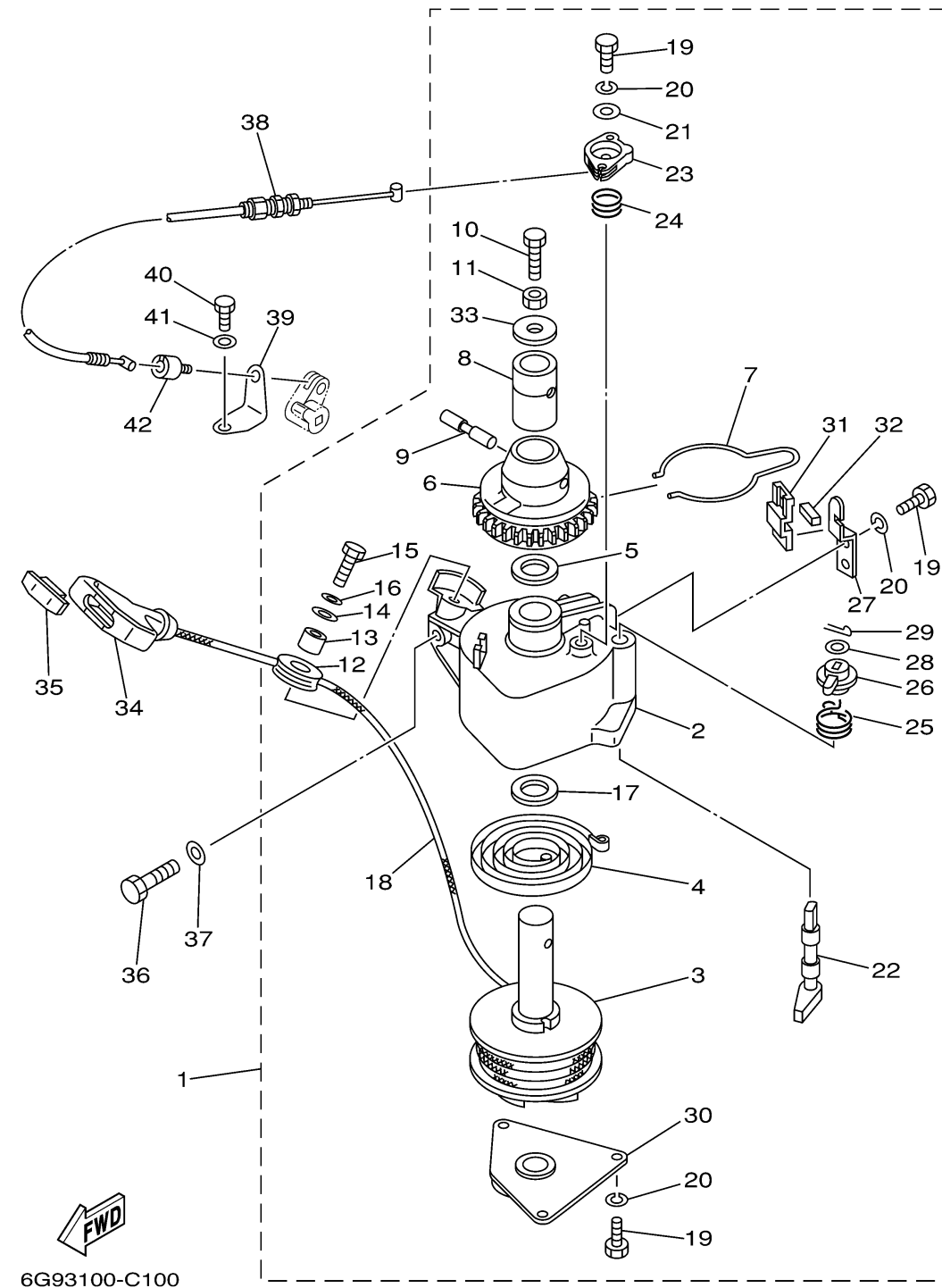


STARTER MH



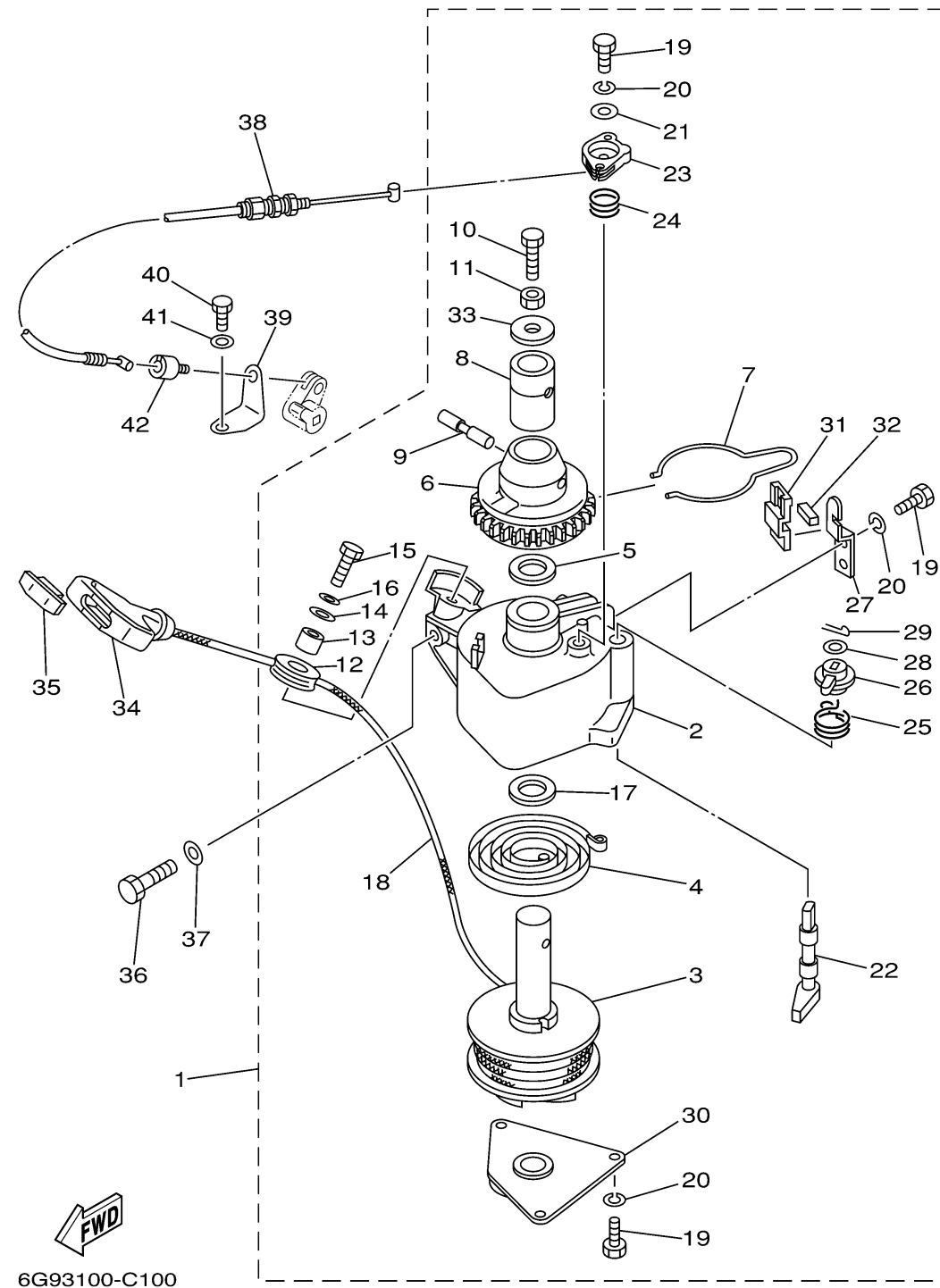
Ref No.	Part Number	Description	Qty	Remarks
1	6G8-15710-10-00	STARTER ASSY	1	
2	6G8-15711-00-00	.CASE, STARTER	1	
3	6G8-15714-00-00	.DRUM, SHEAVE	1	
4	6G8-15713-00-00	.SPRING, STARTER	1	
5	6G8-15719-00-00	.WASHER, THRUST	1	
6	6G8-15723-00-00	.PULLEY, STARTER	1	
7	6G8-15715-00-00	.SPRING, FRICTION	1	
8	6G8-15754-00-00	.BUSH 2	1	
9	6G8-15727-00-00	.PIN	1	
10	6G8-15768-00-00	.BOLT	1	
11	95303-08700-00	.NUT	1	
12	6F5-15752-00-00	.ROLLER, WIRE	1	
13	663-15753-00-00	.BUSH	1	
14	663-15791-00-00	.WASHER, LOCK	1	
15	97395-06025-00	.BOLT	1	
16	92995-06100-00	.WASHER, SPRING	1	
17	6G8-15739-00-00	.WASHER, THRUST	1	
18	90890-44373-00	ROPE, STARTER	1	UNAVAILABLE - OBTAIN LOCALLY - CUT TO 1.85M LENGTH
19	97395-05012-00	.BOLT	6	
20	92995-05100-00	.WASHER	6	

CONTINUED ON NEXT FRAME >

STARTER MH

Ref No.	Part Number	Description	Qty	Remarks
21	6G8-15726-00-00	. .WASHER, FLAT	1	
22	6G8-15794-00-00	. .STOPPER	1	
23	6G8-15746-00-00	. .ARM	1	
24	6G8-15767-00-00	. .SPRING	1	
25	6G8-15734-00-00	. .SPRING, RETURN	1	
26	6G8-15747-00-00	. .LINK	1	
27	6G8-15716-00-00	. .PLATE, DRIVE	1	
28	92902-06200-00	. .WASHER	1	
29	91490-16012-00	. .PIN, COTTER	1	
30	6G8-15712-00-00	. .COVER, STARTER CASE	1	
31	6G8-15779-00-00	. .COVER	1	
32	6G8-15789-00-00	. .DAMPER	1	
33	6G8-15742-00-00	. .WASHER, DRIVE PAWL	1	
34	6G1-15755-00-00	.HANDLE, STARTER	1	
35	689-15779-01-00	COVER	1	
36	97075-08030-00	BOLT	3	
37	92995-08600-00	WASHER	3	
38	6G8-15770-00-00	CABLE COMP., STARTER STOP	1	
39	6G8-15771-00-00	STAY 1	1	
40	97095-06012-00	BOLT	1	

CONTINUED ON NEXT FRAME >



STARTER MH

Ref No.	Part Number	Description	Qty	Remarks
41	92995-06600-00	WASHER	1	
42	6G8-15772-00-00	STAY 2	1	

