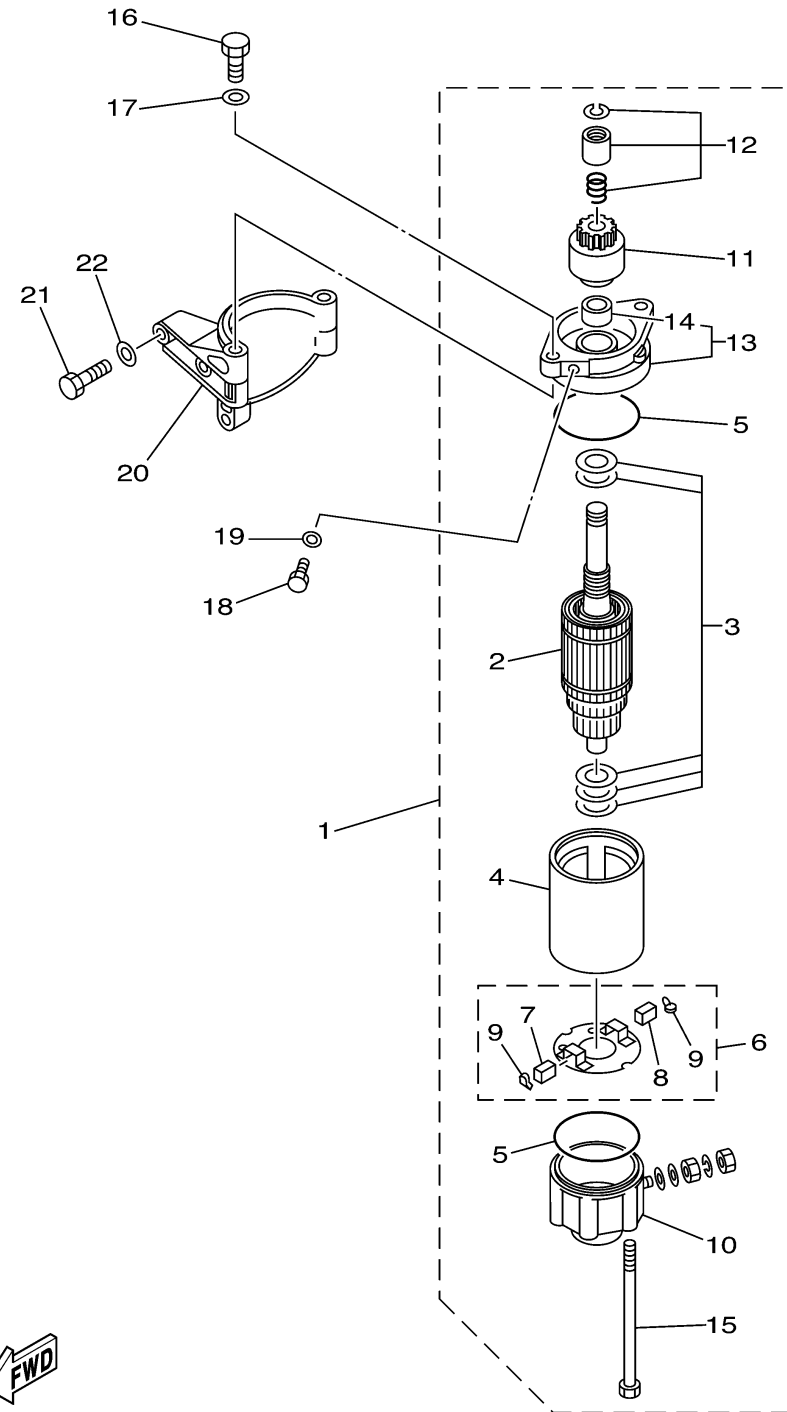


STARTING MOTOR

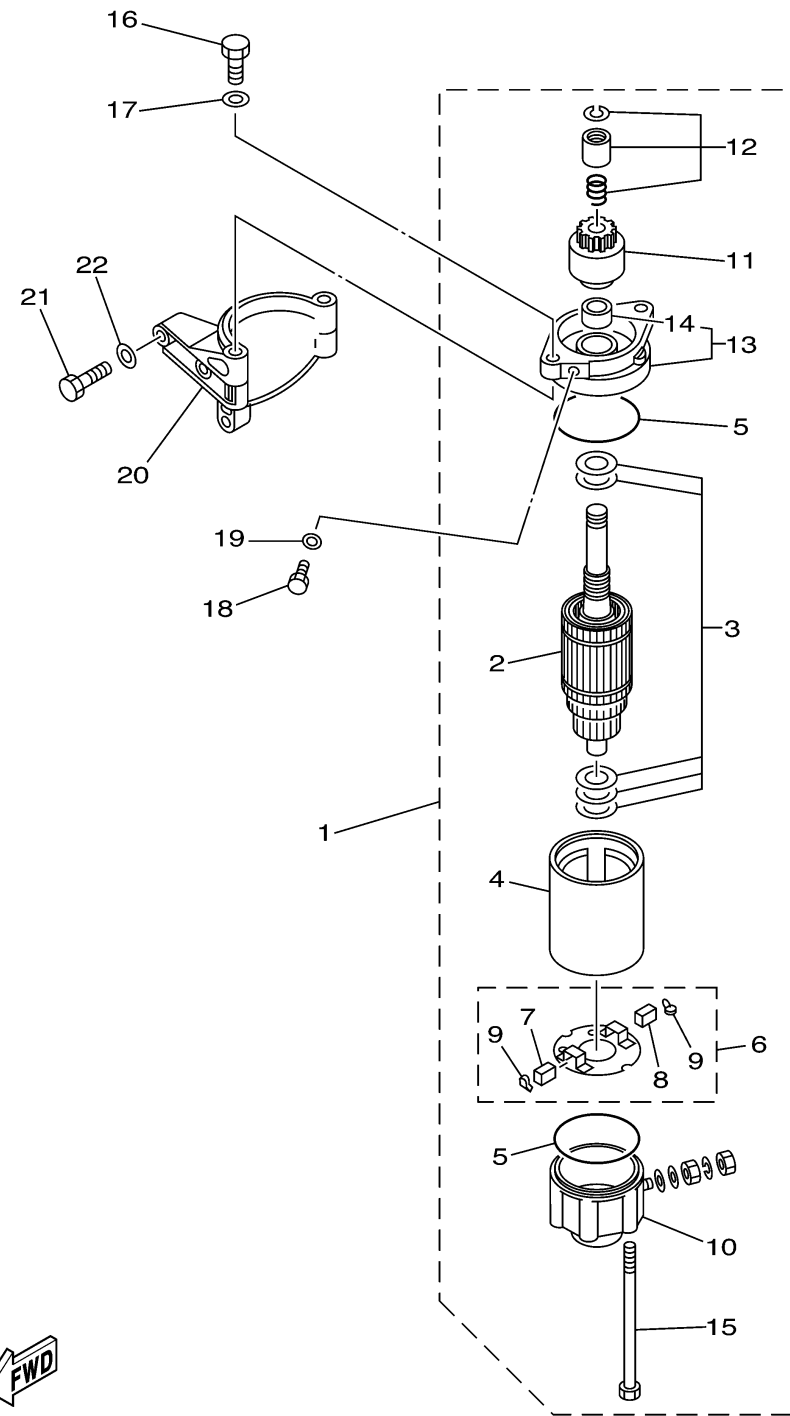


Ref No.	Part Number	Description	Qty	Remarks
1	6G8-81800-11-00	STARTING MOTOR ASSY	1	ER
2	689-81850-12-00	. ARMATURE ASSY	1	
3	689-81809-11-00	. WASHER KIT	1	
4	689-81810-11-00	. STATOR ASSY	1	
5	689-81847-11-00	. O-RING	2	
6	689-81840-11-00	. BRUSH HOLDER ASSY	1	
7	689-81811-11-00	. . . BRUSH 1	1	
8	689-81812-11-00	. . . BRUSH 2	1	
9	689-81813-10-00	. . . SPRING, BRUSH	2	
10	689-81820-11-00	. REAR BRACKET ASSY	1	
11	689-81807-12-00	. GEAR ASSY, STARTING MOTOR	1	
12	689-81857-11-00	. PINION STOPPER SET	1	
13	6F5-81830-11-00	. FRONT BRACKET ASSY	1	
14	689-81831-00-00	. . . METAL, FRONT	1	
15	689-81826-10-00	. BOLT	2	
16	97075-08025-00	BOLT	2	ER
17	92995-08600-00	WASHER	2	ER
18	97095-08016-00	BOLT	1	ER
19	92995-08600-00	WASHER	1	ER
20	6G8-81822-40-94	BRACKET, STARTING MOTOR	1	ER

CONTINUED ON NEXT FRAME >


6G83100-C130

STARTING MOTOR




6G83100-C130

Ref No.	Part Number	Description	Qty	Remarks
21	97013-08030-00	BOLT	3	ER
22	92903-08600-00	WASHER, PLATE	3	ER