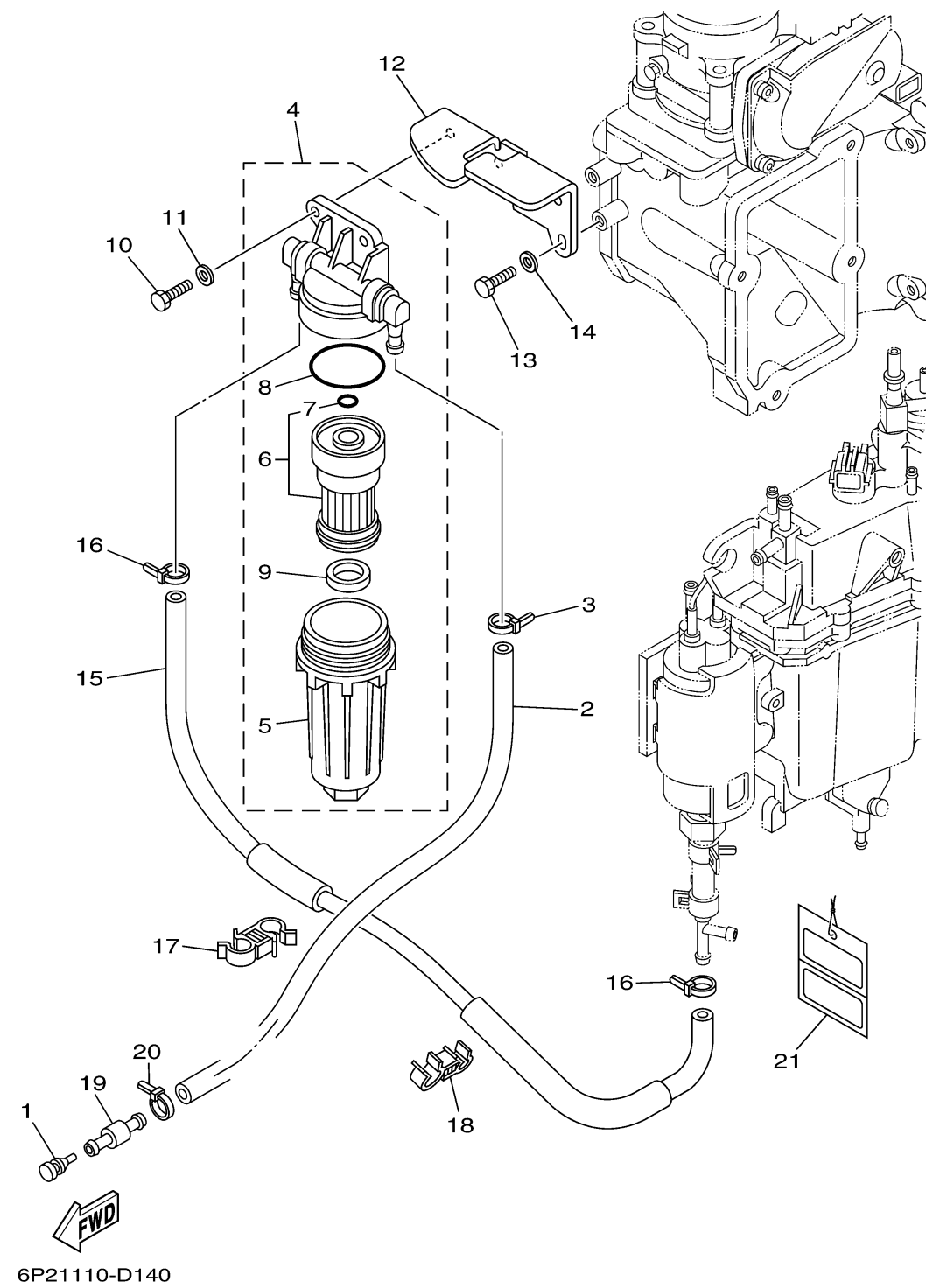


# FUEL 1

Ref No.	Part Number	Description	Qty	Remarks
1	689-85547-00-00	DAMPER	1	
2	90445-13008-00	HOSE (L2500)	1	
3	90465-11M10-00	CLAMP	1	
4	6P2-24409-00-00	WATER SEPARATOR ASSY	1	
5	6P2-24521-00-00	..CUP, FILTER	1	
6	6P2-24563-00-00	..ELEMENT, FILTER	1	
7	6P2-24565-00-00	...O-RING	1	
8	6P2-24564-00-00	..O-RING	1	
9	6P2-24469-00-00	..FLOAT, WATER LEVEL	1	
10	97095-06020-00	BOLT	2	
11	92995-06600-00	WASHER	2	
12	6P2-24566-00-00	BRACKET, FILTER	1	
13	97095-06016-00	BOLT	2	
14	92995-06600-00	WASHER	2	
15	6P2-24313-00-00	PIPE 3	1	
16	90465-11M10-00	CLAMP	2	
17	90464-12009-00	CLAMP	1	
18	90464-12010-00	CLAMP	1	
19	6R3-24377-10-00	PIPE, JOINT 2	1	
20	90465-11M10-00	CLAMP	1	

CONTINUED ON NEXT FRAME >



# FUEL 1

Ref No.	Part Number	Description	Qty	Remarks
21	61H-2819R-31-00	TAG, WARNING	1	