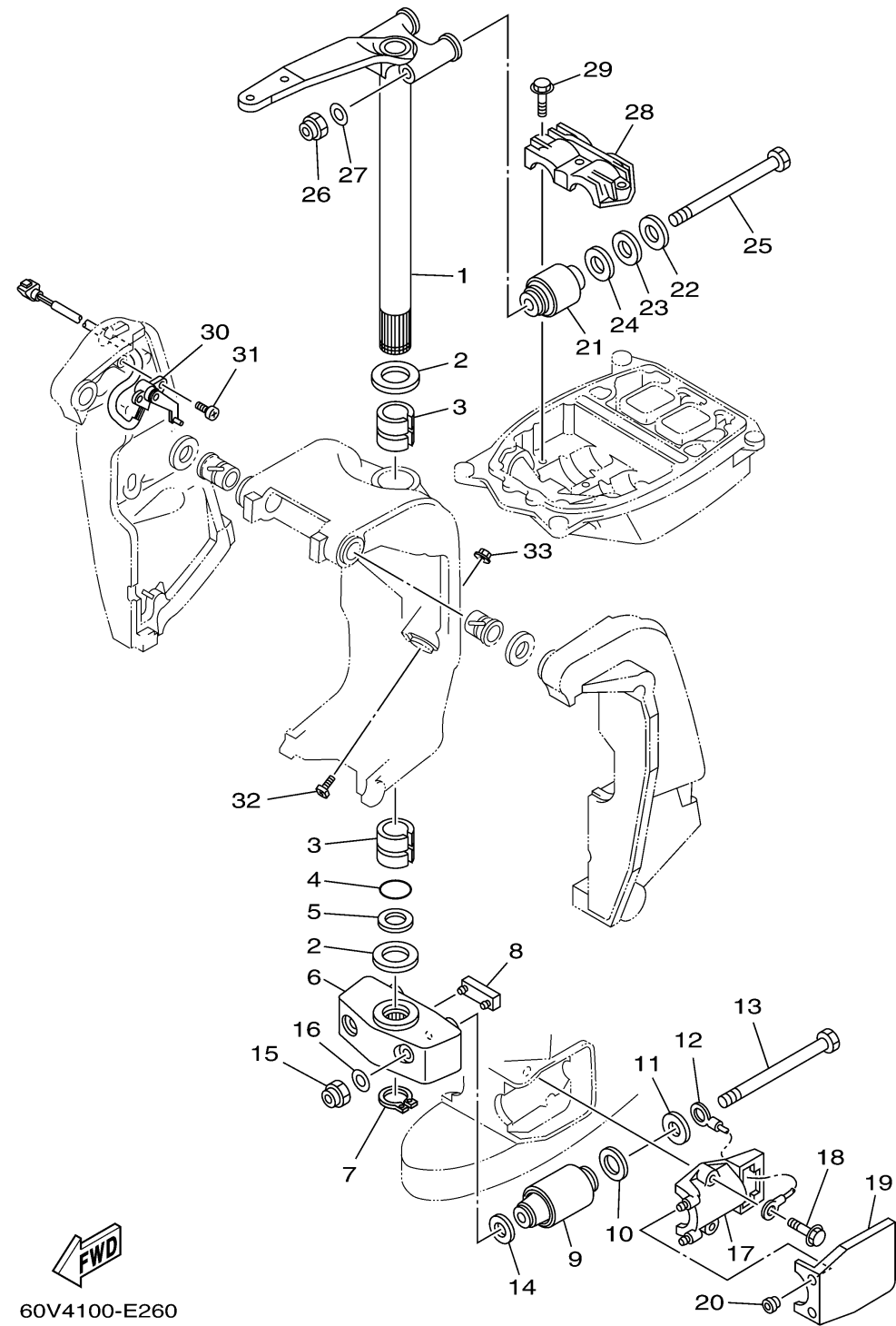


## BRACKET 2

Ref No.	Part Number	Description	Qty	Remarks
1	60V-42510-20-8D	STEERING BRACKET ASSY	1	UR X (25.1")
1	60V-42510-30-8D	STEERING BRACKET ASSY	1	UR U (30.1")
2	90201-40M00-00	WASHER, PLATE	2	
3	90386-39M89-00	BUSH	2	
4	93210-35321-00	O-RING	1	
5	90202-40M47-00	WASHER, PLATE	1	
6	61A-44551-01-8D	HOUSING, LOWER MOUNT RUBBER	1	
7	93410-37M04-00	CIRCLIP	1	
8	61A-44575-00-00	DAMPER, LOWER MOUNT RUBBER	1	
9	60V-44555-00-94	MOUNT DAMPER, LOWER SIDE	2	
10	90202-32M19-00	WASHER, PLATE	2	
11	90201-16016-00	WASHER, PLATE	2	
12	6E5-82149-00-00	WIRE, LEAD 3	1	
13	90101-14002-00	BOLT	2	
14	90201-15M58-00	WASHER, PLATE	2	
15	95380-14800-00	NUT	2	
16	92995-14600-00	WASHER	2	
17	61A-44552-01-94	HOUSING, LOWER MOUNT RUBBER	2	
18	90119-10024-00	BOLT, WITH WASHER	4	
19	61A-44553-01-8D	COVER, LOWER MOUNT	2	

CONTINUED ON NEXT FRAME >



60V4100-E260

## BRACKET 2

Ref No.	Part Number	Description	Qty	Remarks
20	6A0-15789-00-00	.DAMPER	4	
21	60V-44514-00-94	MOUNT DAMPER, UPPER SIDE	2	
22	90201-16015-00	WASHER, PLATE	2	
23	90202-28M46-00	WASHER, PLATE	2	
24	90201-28M01-00	WASHER, PLATE	2	
25	90101-14003-00	BOLT	2	
26	90185-14M00-00	NUT, SELF-LOCKING	2	
27	92995-14600-00	WASHER	2	
28	61A-44511-00-94	COVER, UPPER MOUNT	1	
29	90119-10024-00	BOLT, WITH WASHER	3	
30	69J-83672-10-00	TRIM SENDER	1	
31	97885-06016-00	SCREW, PAN HEAD	2	
32	61A-43376-00-00	BOLT, THRUST RECEIVER	2	
33	95780-10300-00	NUT, FLANGE	2	