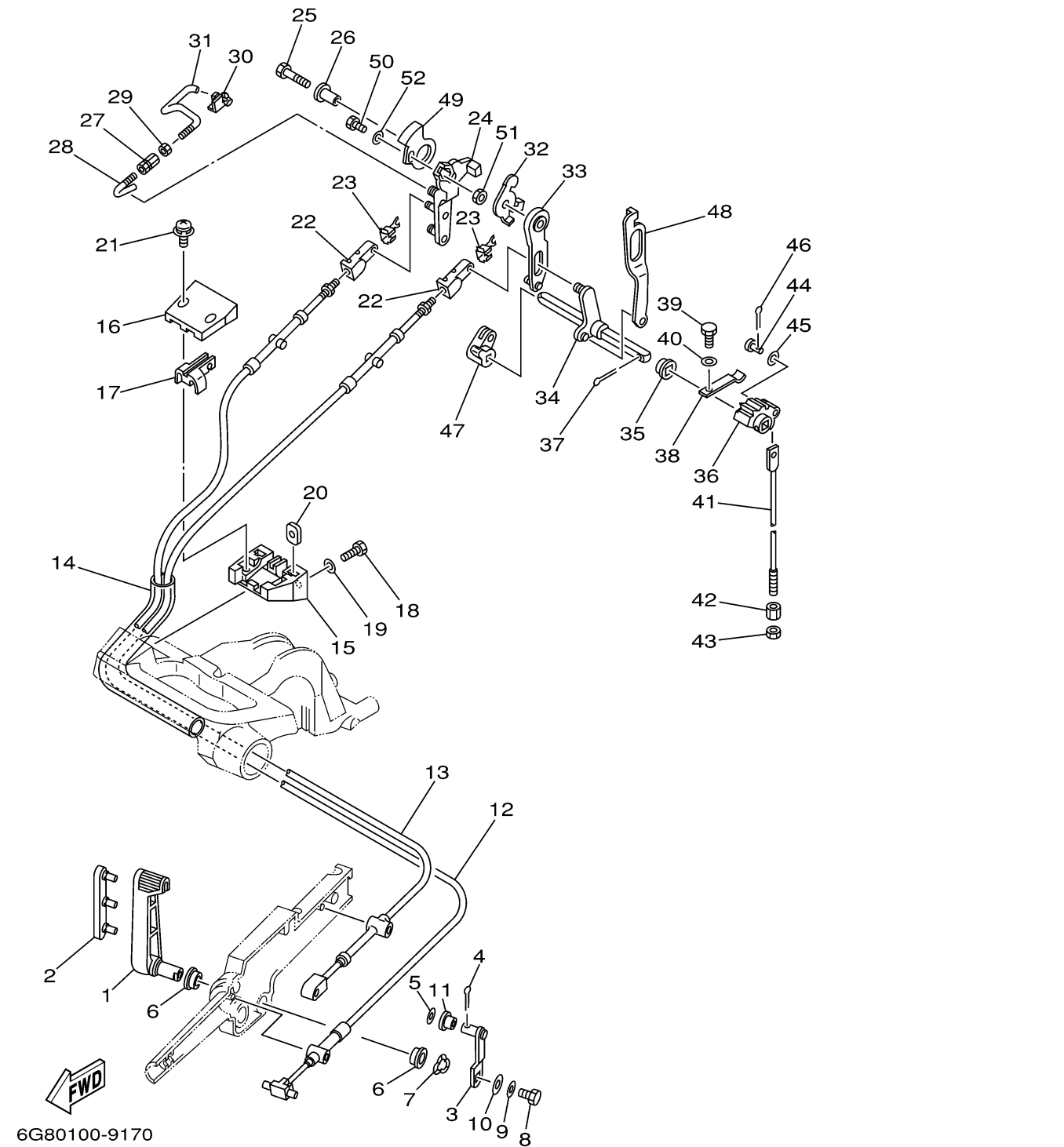


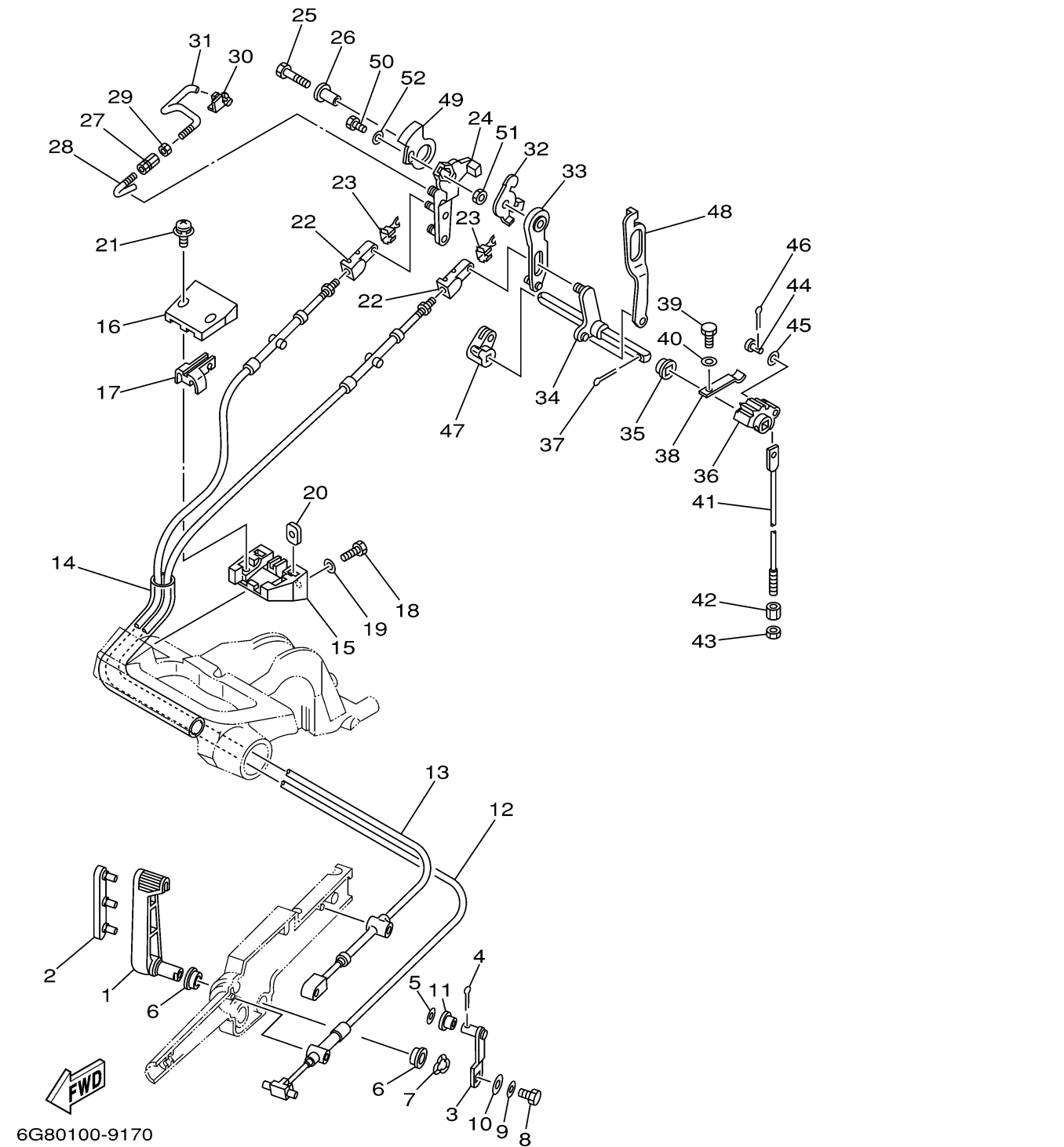
CONTROL



Ref No.	Part Number	Description	Qty	Remarks
1	6G8-44121-00-98	LEVER, SHIFT ROD	1	EH
2	6G8-42129-00-00	BUSHING, RUBBER	1	EH
3	6G8-44123-00-00	ARM, SHIFT ROD	1	EH
4	91490-16010-00	PIN. COTTER	1	EH
5	92990-05200-00	WASHER, PLAIN	1	EH
6	90386-12069-00	BUSH	2	EH
7	90206-12052-00	WASHER, WAVE	1	EH
8	97013-06016-00	BOLT	1	EH
9	92903-06600-00	WASHER, PLATE	1	EH
10	90201-06M94-00	WASHER, PLATE	1	EH
11	90386-05M54-00	BUSH	1	EH
12	6G8-48311-02-00	CABLE	1	EH
13	6G8-48321-01-00	CABLE	1	EH
14	90445-24M00-00	HOSE (L165)	1	EH
15	6G8-41661-00-98	BRACKET	1	EH
16	6G8-41662-00-98	BRACKET	1	EH
17	6G8-41663-00-00	BRACKET 3	1	EH
18	97095-06016-00	BOLT	2	EH
19	92995-06600-00	WASHER	2	EH
20	6G8-41654-00-00	NUT	2	EH

CONTINUED ON NEXT FRAME >

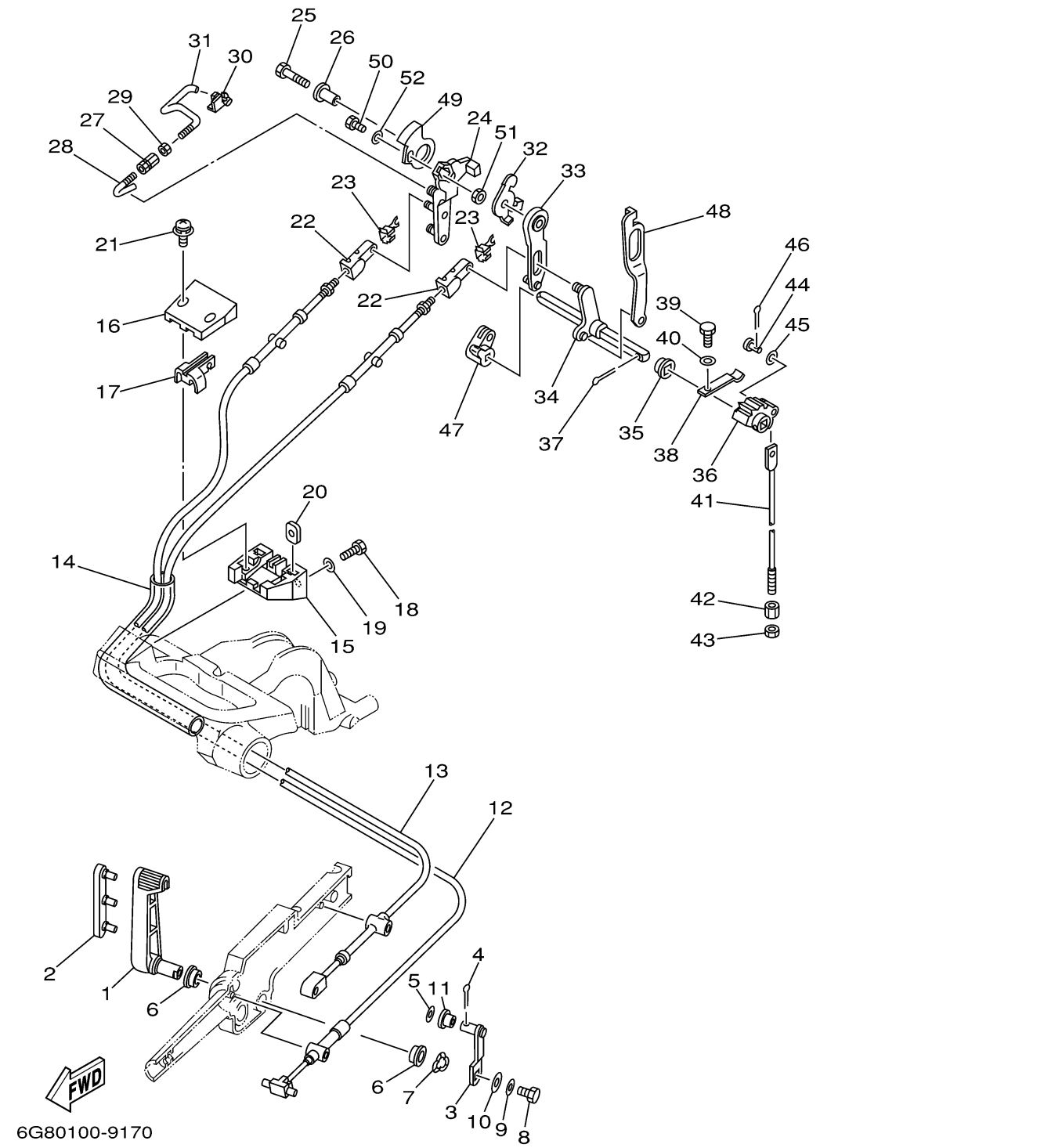
CONTROL



Ref No.	Part Number	Description	Qty	Remarks
21	90159-05M06-00	SCREW, WITH WASHER	2	EH
22	6G8-26363-00-00	.END, WIRE 1	2	
23	6G8-26364-00-00	.END, CABLE	2	
24	6G8-41212-00-00	ARM, ACCEL.	1	
25	97013-06030-00	BOLT	1	
26	90387-06M58-00	COLLAR	1	
27	6G8-41238-01-00	JOINT, LINK	1	
28	6G8-41241-01-00	ROD, LINK	1	
29	95380-04600-00	.NUT	1	
30	6G8-41237-01-00	JOINT, LINK	1	
31	6G8-41242-01-00	ROD 2	1	
32	6G8-14493-00-00	STAY 1	1	
33	6G8-44111-00-00	HANDLE, GEAR SHIFT	1	
34	6G8-44159-00-00	HANDLE, GEAR SHIFT	1	
35	682-44132-00-00	BUSHING	1	
36	682-44121-01-00	LEVER, SHIFT ROD	1	
37	91490-25020-00	PIN. COTTER	1	
38	682-44116-01-00	SPRING	1	
39	97095-06014-00	BOLT	1	
40	92995-06600-00	WASHER	1	

CONTINUED ON NEXT FRAME >

CONTROL



Ref No.	Part Number	Description	Qty	Remarks
41	6G8-44143-10-00	ROD, SHIFT	1	
42	90170-06015-00	NUT	1	
43	95380-06700-00	NUT	1	
44	91790-05020-00	PIN, CLEVIS	1	
45	92990-05600-00	WASHER, PLATE	1	
46	91490-16010-00	PIN. COTTER	1	
47	6G8-44125-00-00	LEVER, SHIFT ROD	1	
48	6G8-44124-11-00	LINK, SHIFT ROD	1	EH
49	6G8-41212-11-00	ARM, ACCEL.	1	EH
50	97013-06014-00	BOLT	1	EH
51	95380-06600-00	NUT, HEXAGON	1	EH
52	92990-06600-00	WASHER, PLATE	1	EH