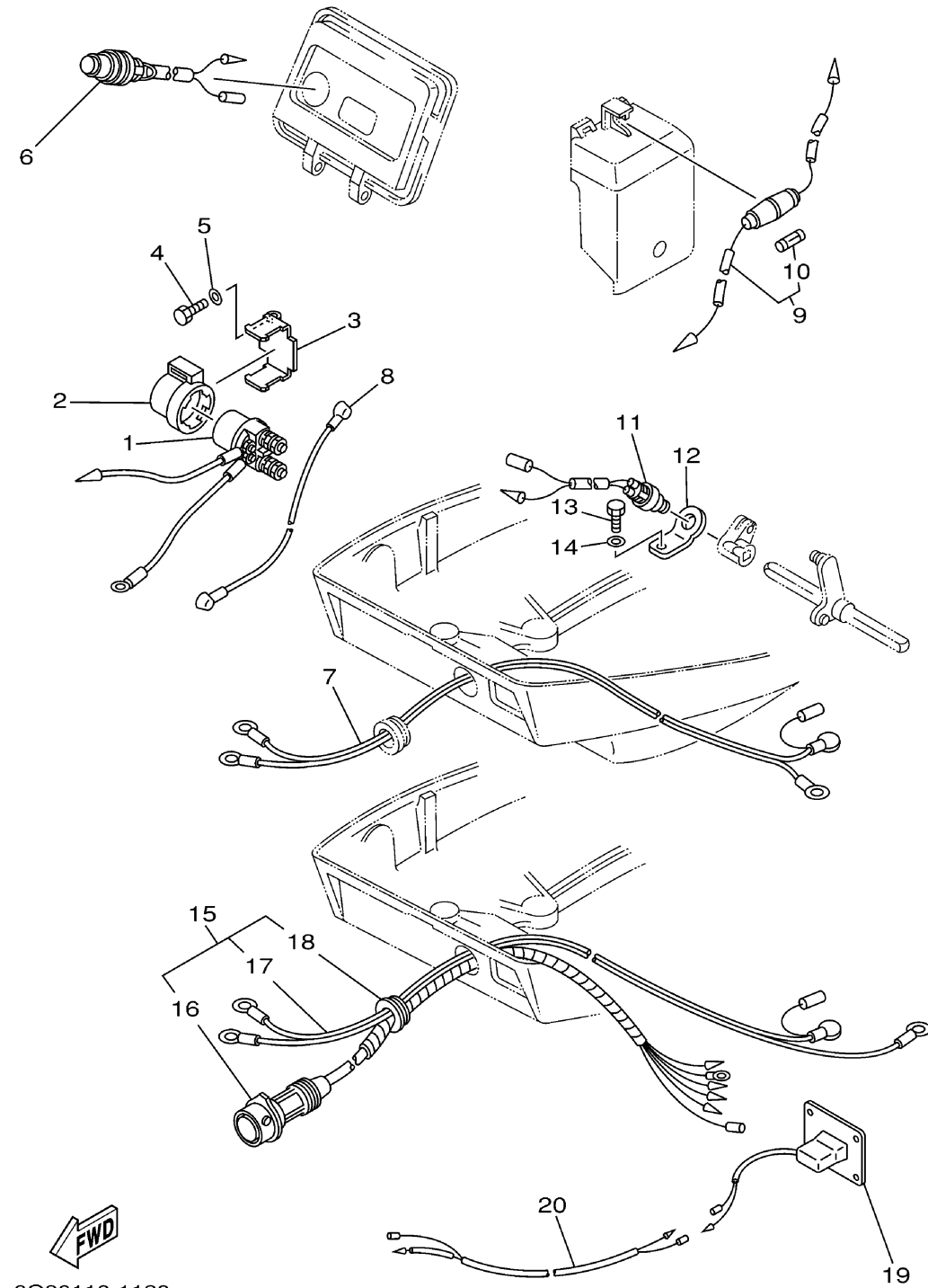


## ELECTRICAL 2



Ref No.	Part Number	Description	Qty	Remarks
1	6J0-81941-10-00	STARTER RELY ASSY	1	
2	6G1-81952-00-00	HOLDER, RELAY	1	
3	6G8-81953-00-00	STAY, RELAY	1	
4	97095-06012-00	BOLT	1	
5	92995-06600-00	WASHER	1	
6	6G8-81870-00-00	STARTING SWITCH ASSY	1	EH
7	6G8-82105-01-00	BATTERY CABLE	1	EH
8	6G8-82117-00-00	WIRE, LEAD	1	
9	6G8-82150-00-00	FUSE HOLDER ASSY	1	
10	663-82151-00-00	. FUSE (12V-20A)	1	
11	6H3-82540-00-00	NEUTRAL SWITCH ASSY	1	EH
12	6G8-82554-00-00	STAY, NEUTRAL SWITCH	1	EH
13	97095-06012-00	BOLT	1	EH
14	92995-06600-00	WASHER	1	EH
15	6G8-82580-00-00	WIRE HARNESS ASSY 2	1	ER
16	6G8-82590-00-00	. WIRE HARNESS ASSY	1	
17	6G8-82105-01-00	. BATTERY CABLE	1	
18	6G8-42724-50-00	. GROMMET	1	
19	6G8-83530-00-00	PILOT LIGHT ASSY	1	ER
20	6G8-82541-00-00	WIRE, LEAD	1	ER