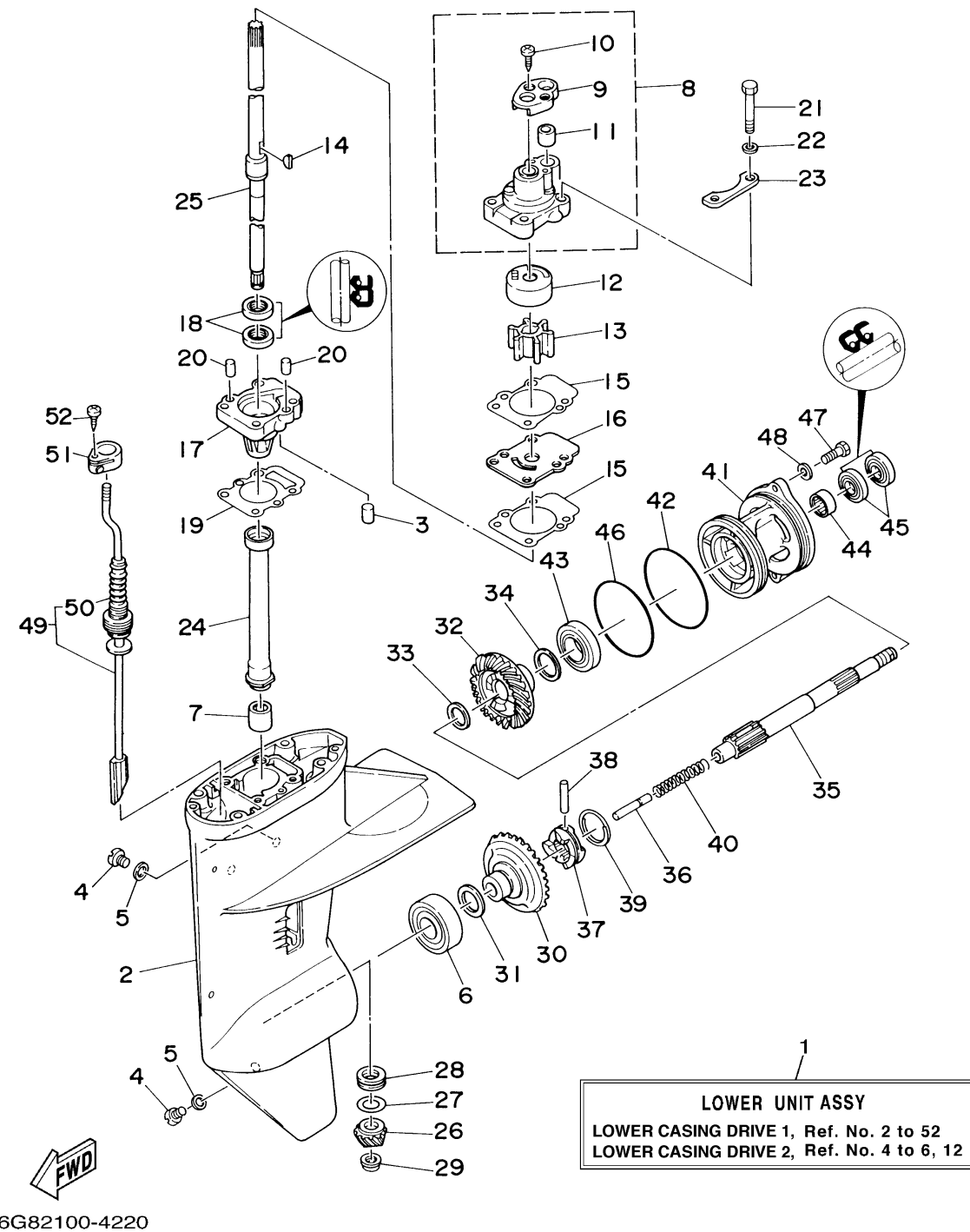


LOWER CASING DRIVE 1

Ref No.	Part Number	Description	Qty	Remarks
1	6G8-45300-17-4D	LOWER UNIT ASSY	1	UR L (22.0")
1	6G8-45300-27-4D	LOWER UNIT ASSY	1	UR X (25.0")
2	6G8-45311-04-4D	CASING, LOWER	1	
3	93604-08062-00	PIN, DOWEL	1	
4	90340-08002-00	PLUG, STRAIGHT SCREW	3	
5	90430-08020-00	.GASKET	3	
6	93332-00005-00	BEARING	1	
7	93315-213V4-00	BEARING	1	
8	682-44300-01-00	HOUSING, WATER PUMP	1	
9	682-44312-00-00	. COVER, WATER PUMP HOUSING	1	
10	97780-40112-00	. SCREW, TAPPING	2	
11	682-44365-00-00	. DAMPER, WATER SEAL	1	
12	682-44322-00-00	INSERT, CARTRIDGE	1	
13	682-44352-03-00	.IMPELLER	1	
14	90280-03024-00	.KEY, WOODRUFF	1	
15	682-44315-A0-00	GASKET, WATER PUMP	2	
16	682-44323-00-00	OUTER PLATE, CARTRIDGE	1	
17	6G8-45331-00-5B	HOUSING, BEARING	1	
18	93101-20048-00	.OIL SEAL	2	
19	6G8-45315-A0-00	PACKING, LOWER CASING	1	

CONTINUED ON NEXT FRAME >

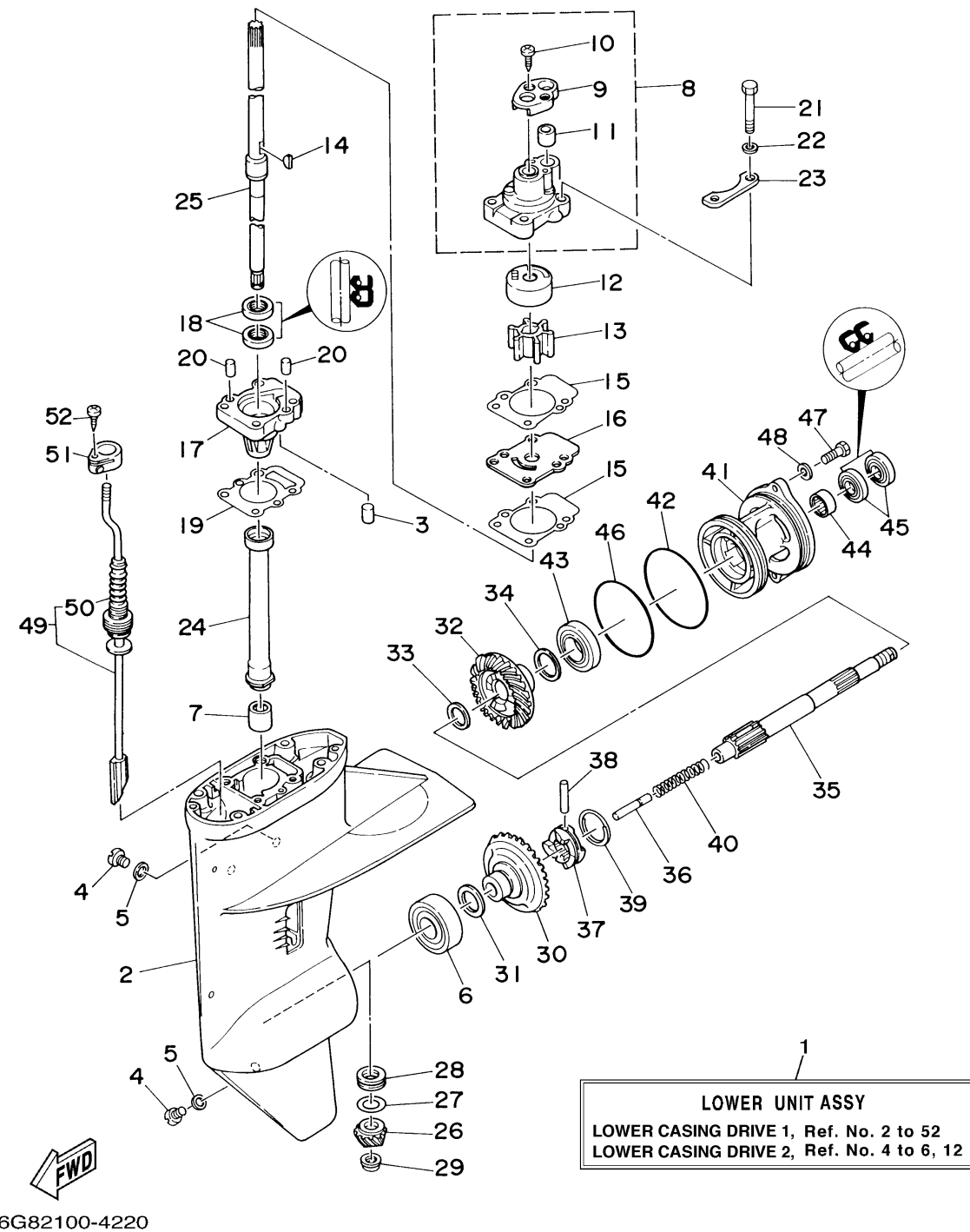


6G82100-4220

LOWER CASING DRIVE 1

Ref No.	Part Number	Description	Qty	Remarks
20	93606-12019-00	PIN, DOWEL	2	
21	97095-06045-00	.BOLT	4	
22	92995-06600-00	WASHER	4	
23	682-44328-00-00	PLATE	2	
24	6G8-45536-00-00	SLEEVE, DRIVE SHAFT	1	
25	6G8-45501-10-00	DRIVE SHAFT COMP.	1	UR L (22.0")
25	6G8-45501-20-00	DRIVE SHAFT COMP.	1	UR X (25.0")
26	6G8-45551-00-00	PINION (13T)	1	
27	6G8-45587-00-00	SHIM (T:0.10MM)	1	UR
27	6G8-45587-10-00	SHIM (T:0.14MM)	1	UR
27	6G8-45587-40-00	SHIM (T:0.50MM)	1	UR
27	6G8-45587-30-00	SHIM (T:0.35MM)	1	UR
27	6G8-45587-20-00	SHIM (T:0.18MM)	1	UR
28	93341-313U3-00	BEARING	1	
29	90179-08M06-00	NUT	1	
30	6G8-45560-01-00	GEAR 1 (38T)	1	
31	626-45577-10-00	SHIM (T:0.20MM)	1	UR
31	626-45577-00-00	SHIM (T:0.10MM)	1	UR
31	626-45577-20-00	SHIM (T:0.30MM)	1	UR
31	626-45577-40-00	SHIM (T:0.50MM)	1	UR

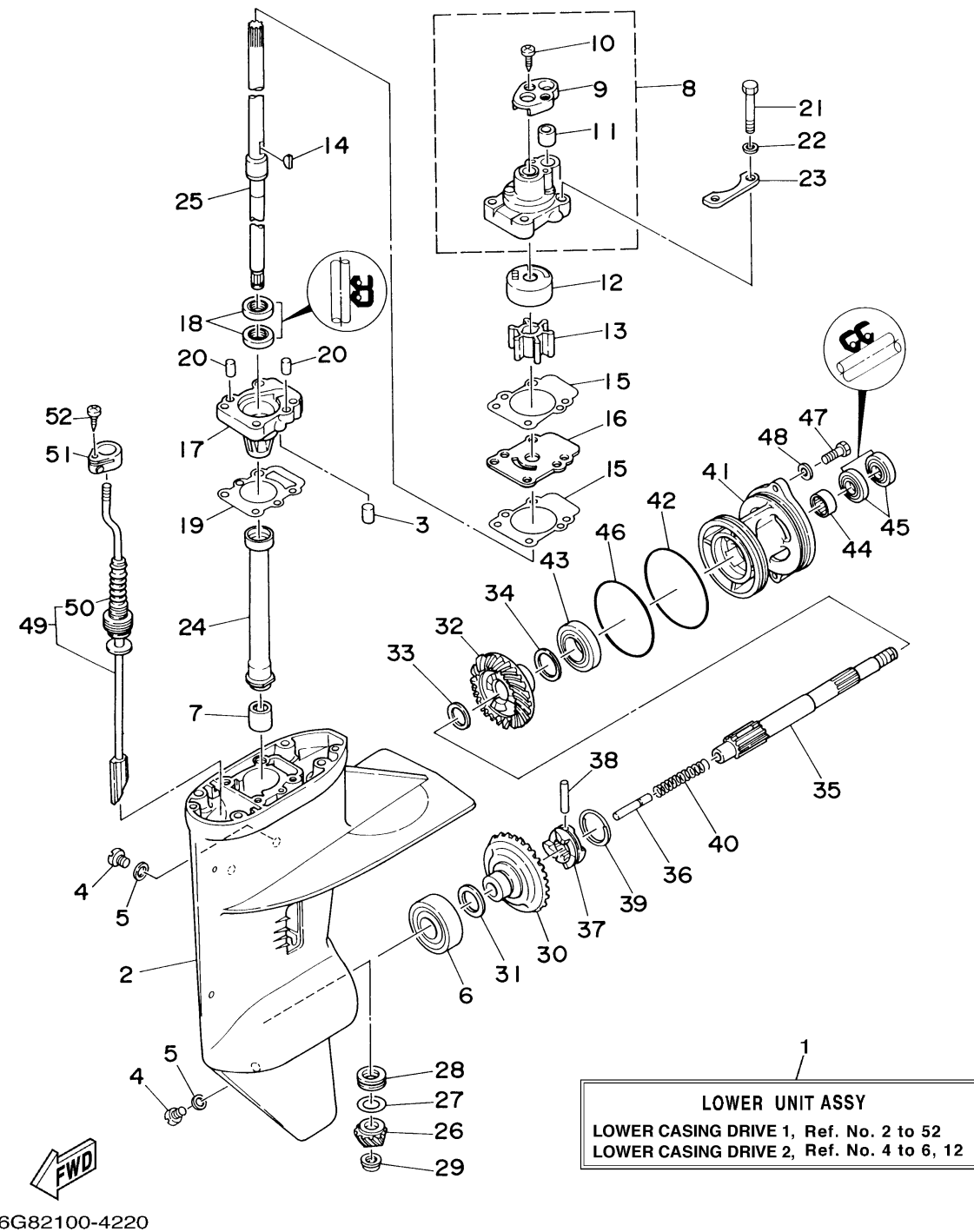
CONTINUED ON NEXT FRAME >



LOWER CASING DRIVE 1

Ref No.	Part Number	Description	Qty	Remarks
31	626-45577-30-00	SHIM (T:0.40MM)	1	UR
32	6G8-45571-00-00	GEAR 2 (38T)	1	
33	90201-17682-00	WASHER, PLATE	1	
34	626-45577-20-00	SHIM (T:0.30MM)	1	UR
34	626-45577-10-00	SHIM (T:0.20MM)	1	UR
34	626-45577-00-00	SHIM (T:0.10MM)	1	UR
34	626-45577-30-00	SHIM (T:0.40MM)	1	UR
34	626-45577-40-00	SHIM (T:0.50MM)	1	UR
35	6G8-45611-00-00	SHAFT, PROPELLER	1	
36	650-45635-00-00	PLUNGER, SHIFT	1	
37	682-45631-00-00	CLUTCH, DOG	1	
38	90250-05010-00	PIN, STRAIGHT	1	
39	648-45633-00-00	RING, CROSS PIN	1	
40	90501-14M06-00	SPRING, COMPRESSION	1	
41	6G8-45361-01-4D	CAP, LOWER CASING	1	
42	93210-74316-00	O-RING	1	
43	93306-00501-00	BEARING	1	
44	93315-317U2-00	BEARING	1	
45	93101-17054-00	.OIL SEAL	2	
46	93210-74M68-00	O-RING	1	

CONTINUED ON NEXT FRAME >



LOWER CASING DRIVE 1

Ref No.	Part Number	Description	Qty	Remarks
47	97095-06020-00	BOLT	2	
48	92995-06600-00	WASHER	2	
49	6G8-44150-10-00	SHIFT CAM ASSY	1	UR L (22.0")
49	6G8-44150-20-00	SHIFT CAM ASSY	1	UR X (25.0")
50	682-44147-00-00	. BOOT, SHIFT ROD	1	
51	682-44176-00-00	BRACKET	1	
52	97780-50510-00	SCREW, TAPPING	1	