

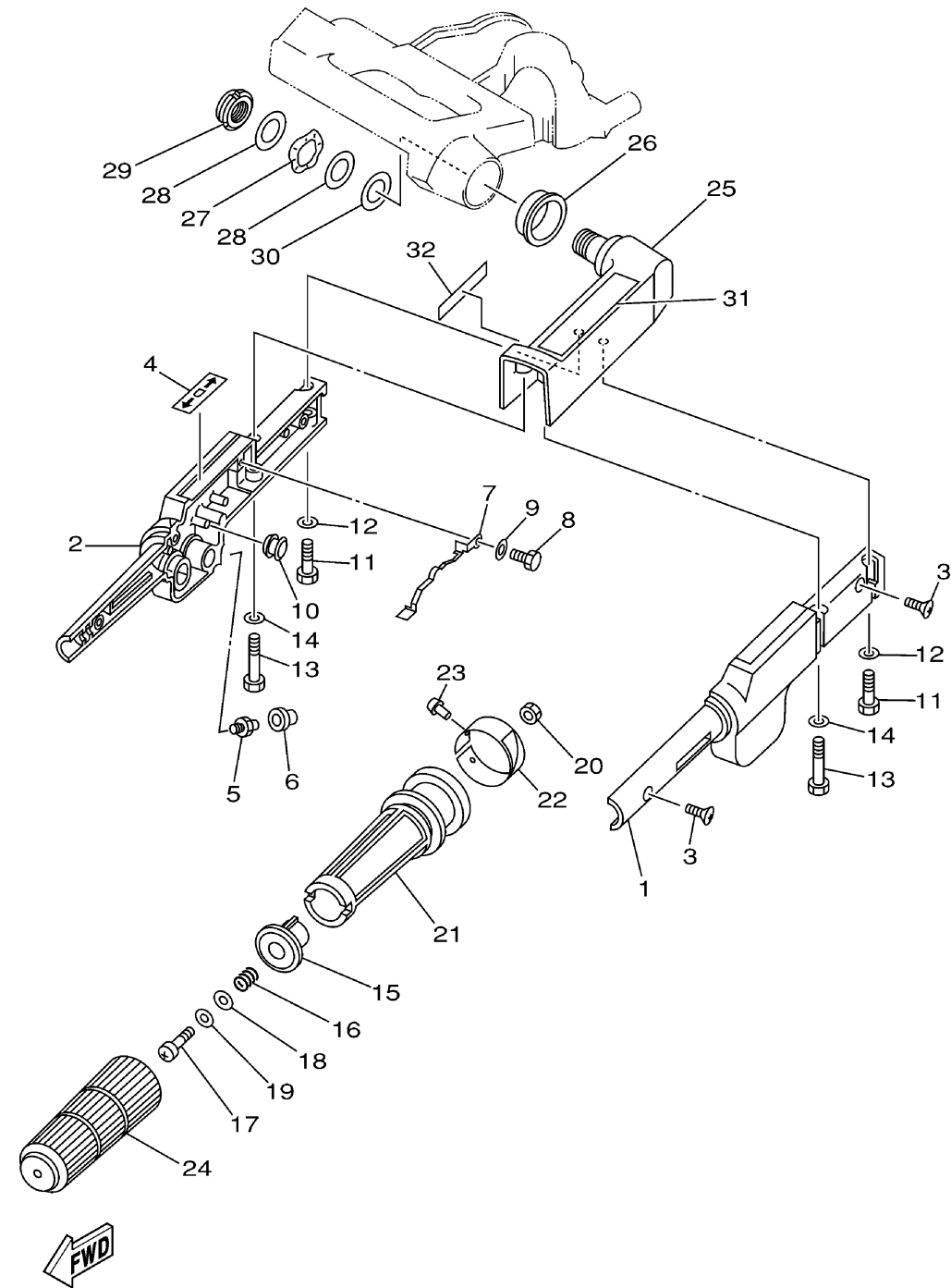
6G81110-2150

## STEERING EH

Ref No.	Part Number	Description	Qty	Remarks
1	6G8-42111-01-4D	HANDLE, STEERING	1	
2	6G8-42112-02-4D	HANDLE, STEERING	1	
3	98780-05016-00	.SCREW, FLAT HEAD	2	
4	6G8-44191-00-00	INDICATOR, SHIFT	1	
5	93700-06M03-00	NIPPLE, GREASE	1	
6	663-45119-00-00	CAP, GREASE NIPPLE	1	AP
7	6G8-42147-01-00	SPRING	1	
8	97095-05012-00	BOLT	1	
9	92995-05600-00	WASHER	1	
10	6H4-42725-00-00	GROMMET	1	
11	97095-06025-00	BOLT	2	
12	92995-06600-00	WASHER	2	
13	97095-06040-00	.BOLT	2	
14	92995-06600-00	WASHER	2	
15	6G8-42126-01-94	FRICITION, STEERING HANDLE GRIP	1	
16	90501-23M42-00	SPRING, COMPRESSION	1	
17	97880-06030-00	SCREW, PAN HEAD	1	
18	90201-06049-00	WASHER, PLATE	1	
19	90202-06007-00	WASHER, PLATE	1	
20	95380-06700-00	NUT	1	

CONTINUED ON NEXT FRAME >

# STEERING EH



6G81110-2150

Ref No.	Part Number	Description	Qty	Remarks
21	6G8-42119-00-00	GRIP, STEERING HANDLE	1	
22	6G8-42137-01-00	INDICATOR, THROTTLE	1	
23	90269-02M09-00	RIVET	1	
24	6G8-42177-00-00	RUBBER, HANDLE	1	
25	6G8-42113-02-4D	HANDLE, STEERING 3	1	
26	90386-33M56-00	BUSH	1	
27	90206-20M14-00	WASHER, WAVE	1	
28	90201-20M00-00	WASHER, PLATE	2	
29	90185-20M03-00	NUT, SELF-LOCKING	1	
30	90202-20M33-00	WASHER, PLATE	1	
31	6G9-1571Y-40-00	MARK, CAUTION	1	
32	6E0-83627-41-00	LABEL, CAUTION 7	1	