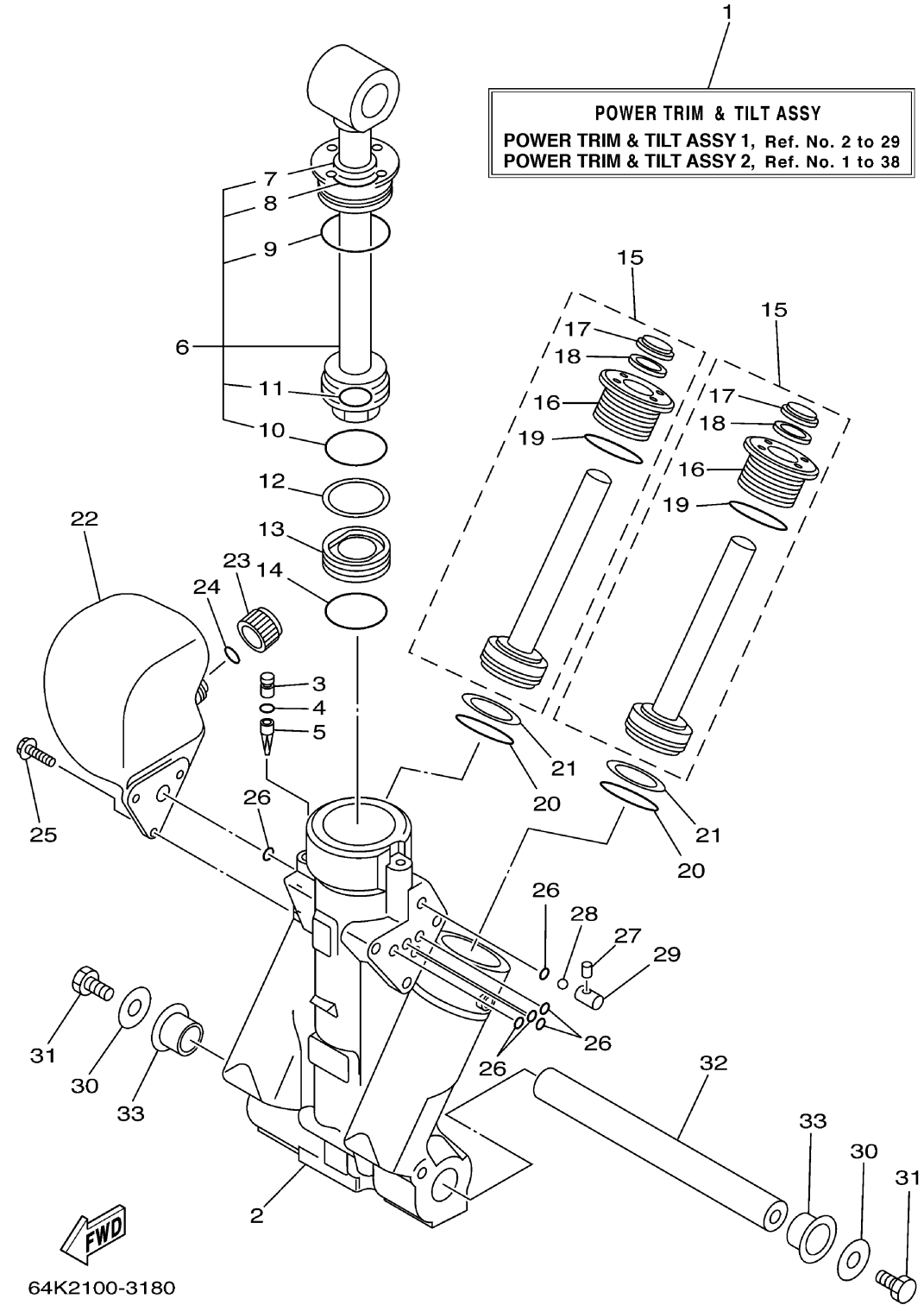


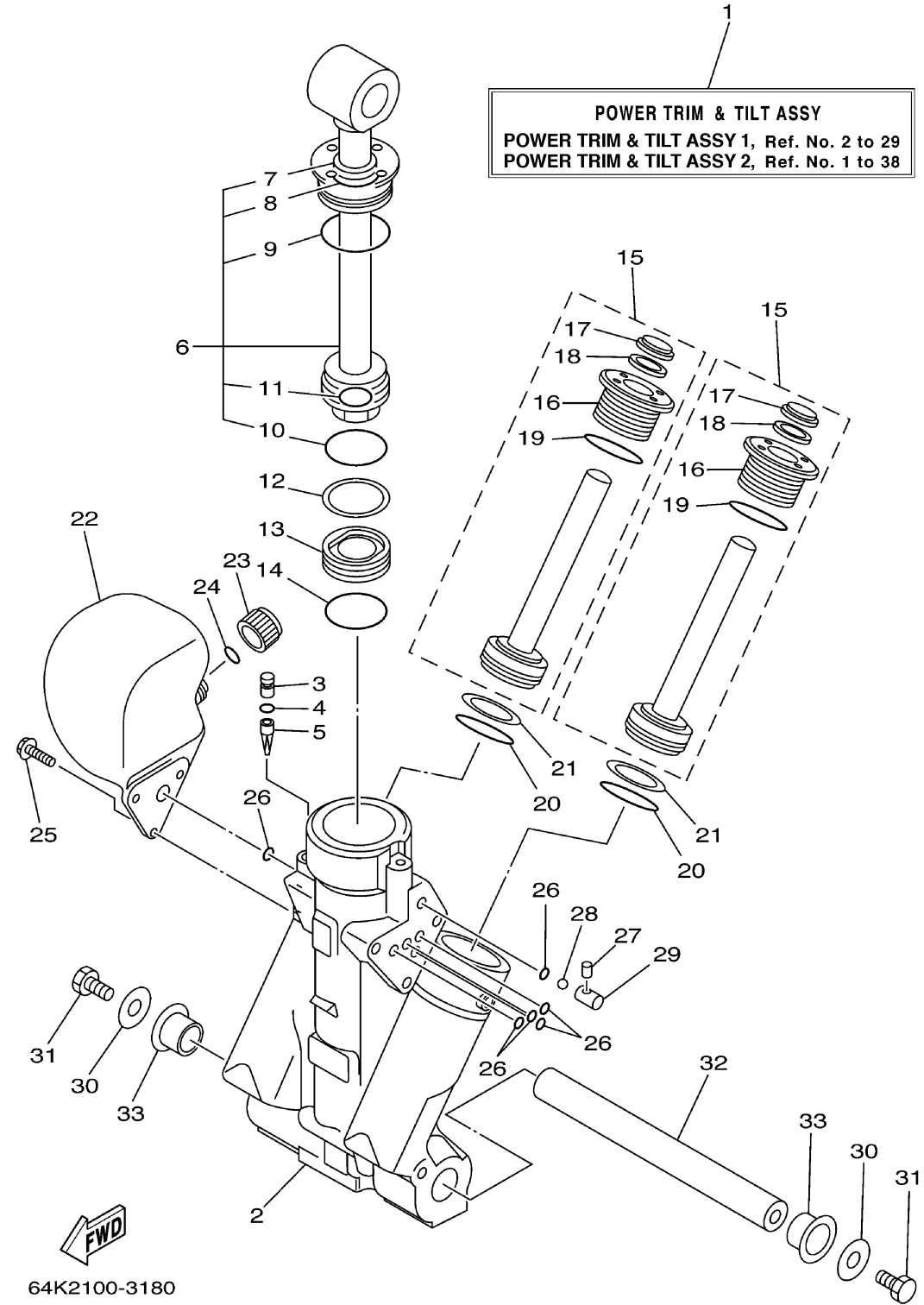
# POWER TRIM TILT ASSY 1



Ref No.	Part Number	Description	Qty	Remarks
1	64E-43800-03-4D	POWER TRIM & TILT ASSY	1	
2	64E-43825-01-00	HOUSING, TRIM & TILT	1	
3	64E-4388J-00-00	PLUG 2	1	
4	93210-10M74-00	..O-RING	1	
5	64E-43817-00-00	FILTER 2	1	
6	64E-43810-00-00	PISTON SUB ASSEMBLY	1	
7	64E-43898-00-00	...SEAL, DUST 2	1	
8	64E-43867-00-00	..O-RING	1	
9	64E-43866-00-00	..O-RING	1	
10	6E5-43862-00-00	..O-RING	1	
11	64E-43883-00-00	..O-RING	1	
12	6E5-43872-00-00	RING, BACK UP	1	
13	6E5-43814-02-00	PISTON, FREE	1	
14	6E5-43862-00-00	..O-RING	1	
15	64E-43820-00-00	PISTON SUB ASSEMBLY	2	
16	64E-43821-00-00	..SCREW, TRIM CYLINDER END	1	
17	64E-43822-00-00	..SEAL, TRIM DUST	1	
18	64E-4384J-00-00	..SEAL, TRIM DOWN	1	
19	6G5-43864-00-00	..O-RING	1	
20	6E5-43864-00-00	O-RING	2	

CONTINUED ON NEXT FRAME >

# POWER TRIM TILT ASSY 1



Ref No.	Part Number	Description	Qty	Remarks
21	6E5-43874-01-00	RING, BACK UP	2	
22	64E-43828-00-00	BODY, RESERVOIR	1	
23	64E-43829-00-00	PLUG, RESERVOIR	1	
24	64E-43897-00-00	O-RING	1	
25	64E-4388E-00-00	BOLT ,SCREW (L:14MM)	3	
26	64E-43869-00-00	O-RING	6	
27	64E-4381G-00-00	PIN	1	
28	6E5-43858-00-00	BALL	1	
29	64E-4382G-00-00	VALVE, SEAT	1	
30	90201-08M14-00	WASHER, PLATE	2	
31	97080-08016-00	BOLT	2	
32	64E-43818-01-00	PIN, LOWER SHOCK MOUNT	1	
33	90386-22M98-00	BUSH	2	