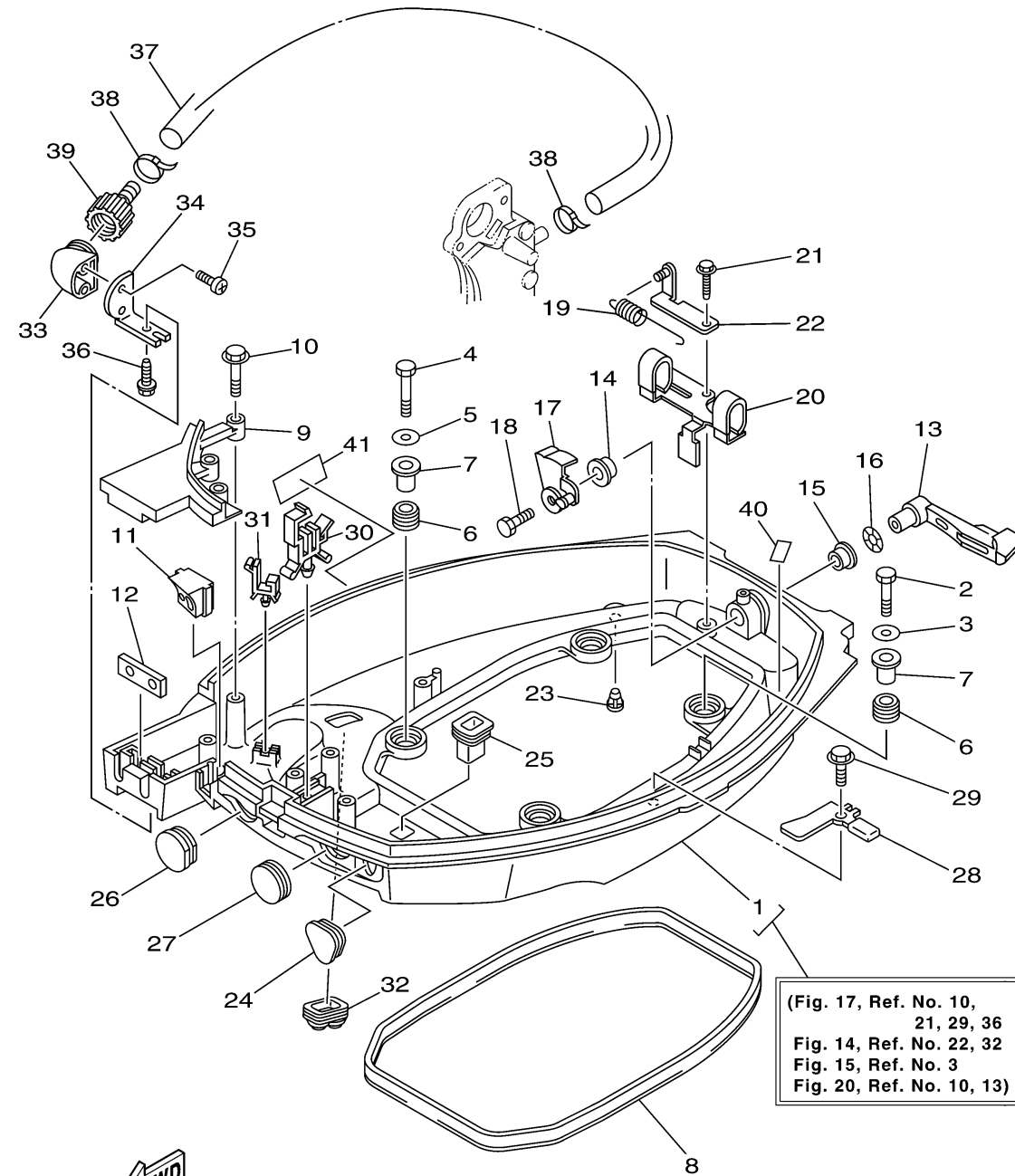


# BOTTOM COWLING

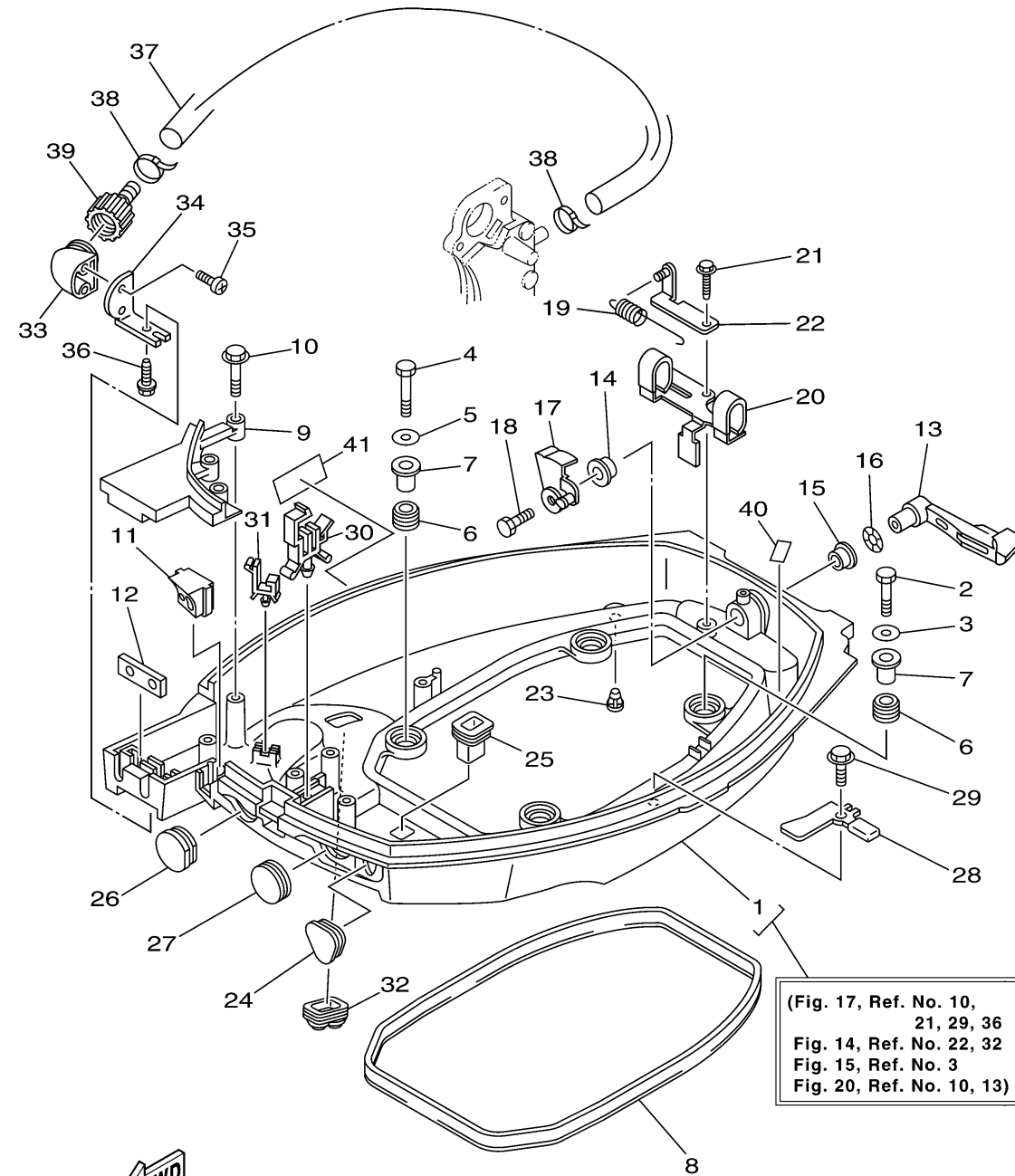


69A4100-D171

Ref No.	Part Number	Description	Qty	Remarks
1	69A-42710-13-4D	BOTTOM COWLING ASSY	1	UR PR WITH TAPPING BOLT
1	66M-42710-05-4D	BOTTOM COWLING ASSY	1	UR PH WITH TAPPING BOLT
2	97095-06035-00	BOLT	2	
3	92995-06600-00	WASHER	2	
4	97095-06025-00	BOLT	2	
5	92995-06600-00	WASHER	2	
6	90480-15M31-00	GROMMET	4	
7	90387-06034-00	COLLAR	4	
8	66M-42716-00-00	RUBBER, SEAL 1	1	
9	66M-42738-00-4D	PLATE, FITTING	1	
10	90109-06M82-00	BOLT	3	
11	66M-42725-10-00	GROMMET	1	UR PH
11	66M-42725-20-00	GROMMET	1	UR PR
12	65W-42727-00-00	GROMMET	1	UR PH
12	62Y-42727-00-00	GROMMET	1	UR PR
13	6D4-42815-00-4D	LEVER, CLAMP	1	
14	90386-12M37-00	BUSH	1	
15	90386-12MA2-00	BUSH	1	
16	90206-12052-00	WASHER, WAVE	1	
17	6D4-42816-00-00	LEVER, CLAMP	1	

CONTINUED ON NEXT FRAME >

# BOTTOM COWLING

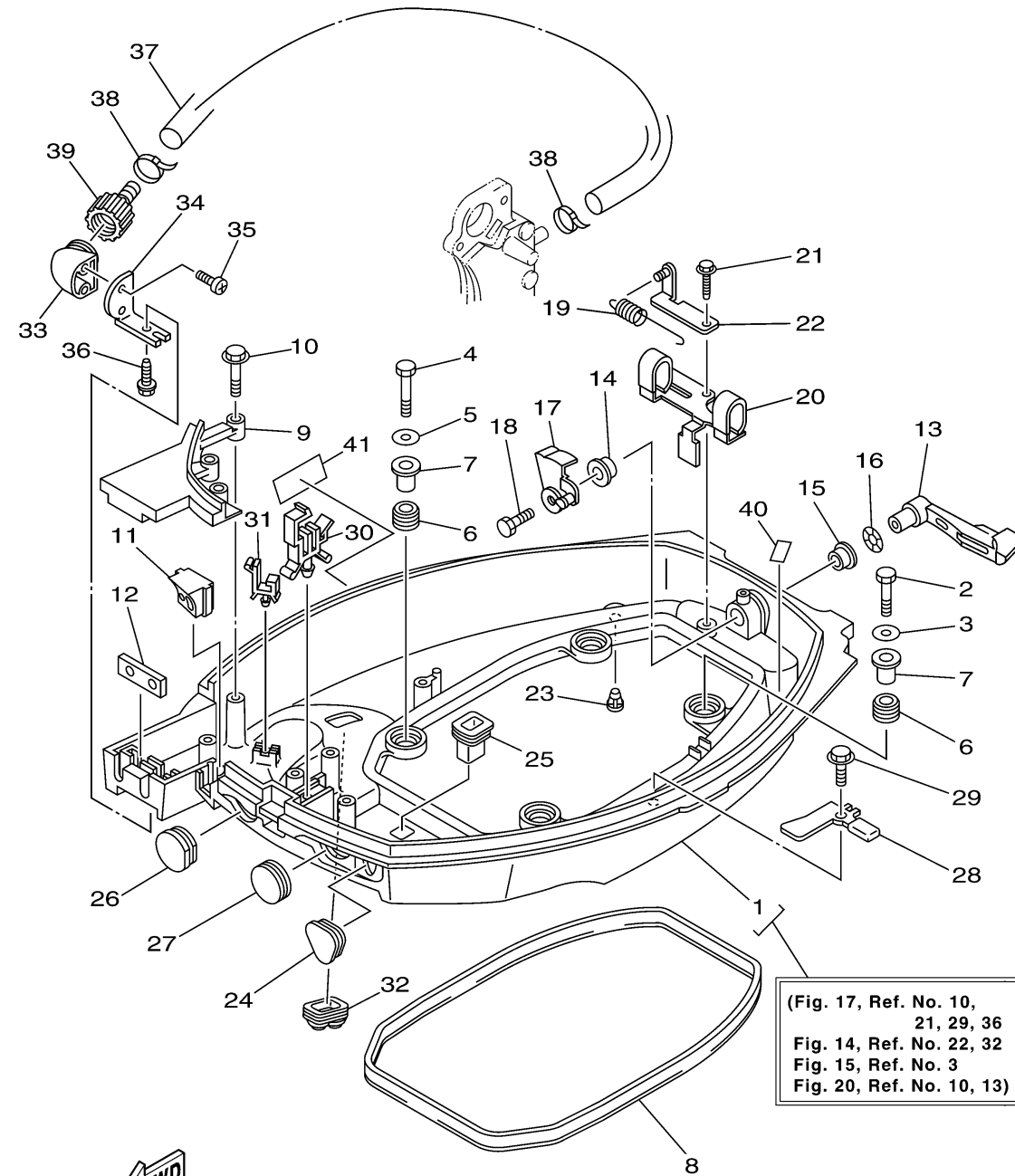


69A4100-D171

Ref No.	Part Number	Description	Qty	Remarks
18	97095-06012-00	BOLT	1	
19	90506-18010-00	SPRING, TENSION	1	
20	6D4-42766-00-00	BRACKET 2	1	
21	90109-06M81-00	BOLT	1	
22	6D4-43144-00-00	HOOK, SPRING	1	
23	6H3-44391-01-00	NIPPLE, HOSE	1	
24	65W-26326-10-00	.GROMMET	1	UR PR
24	69A-26326-00-00	GROMMET	1	UR PH
25	682-42727-00-00	GROMMET	1	
26	682-42724-00-00	GROMMET	1	
27	65W-42726-10-00	GROMMET	1	UR PR
27	65W-42726-00-00	GROMMET	1	UR PH
28	66M-42743-00-00	BRACKET	2	
29	90109-06M86-00	BOLT	2	
30	90465-25M95-00	CLAMP	1	
31	90464-09M13-00	CLAMP	1	
32	6H1-42726-21-00	GROMMET	1	FLUSHING KIT
33	68T-12572-00-00	ADAPTER	1	FLUSHING KIT
34	69W-12535-00-00	PLATE	1	FLUSHING KIT
35	90167-06002-00	SCREW, TAPPING	2	FLUSHING KIT

CONTINUED ON NEXT FRAME >

# BOTTOM COWLING



69A4100-D171

Ref No.	Part Number	Description	Qty	Remarks
36	90109-06M86-00	BOLT	1	FLUSHING KIT
37	66M-12481-00-00	PIPE 1	1	FLUSHING KIT
38	90465-11M10-00	CLAMP	2	FLUSHING KIT
39	6R3-12580-00-00	JOINT ASSY	1	FLUSHING KIT
40	62Y-82377-00-00	LABEL	1	
41	6G8-13444-41-00	MARK	1	