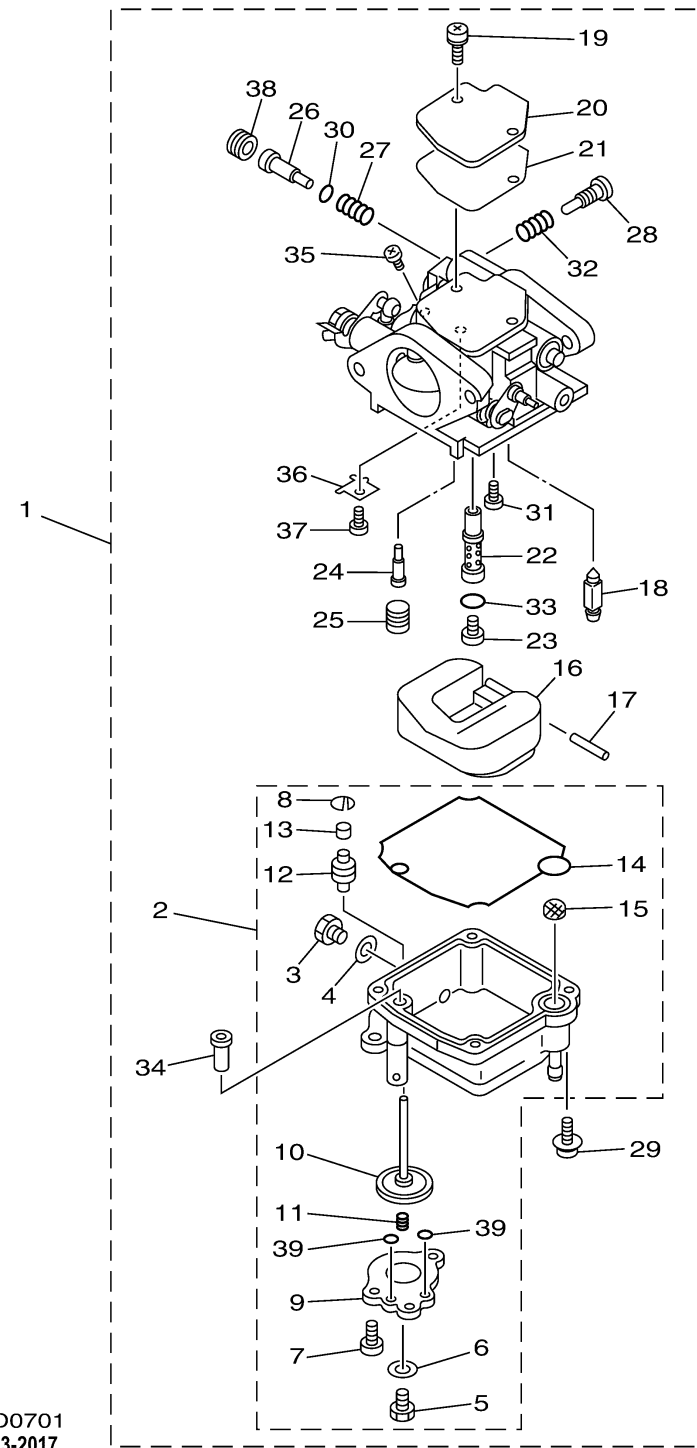


CARBURETOR

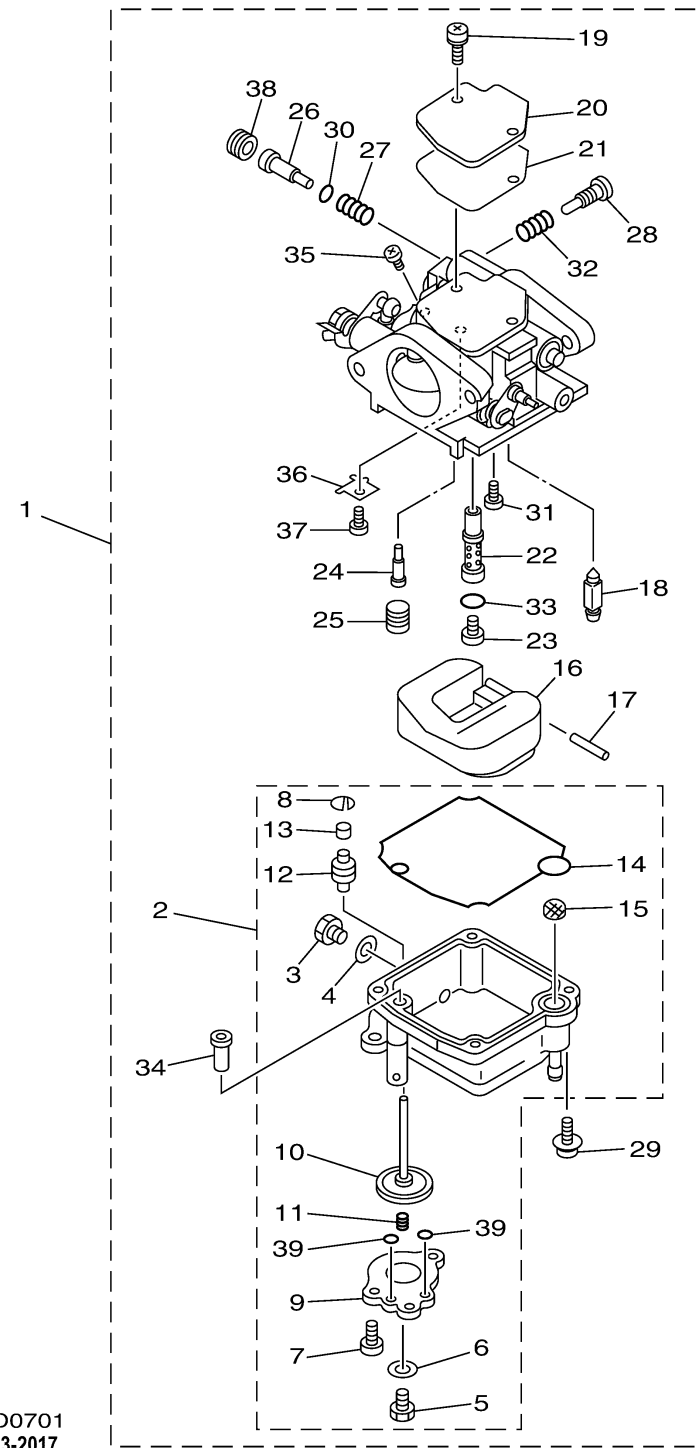


66M4100D0701
Revised: 8-23-2017

| Ref No. | Part Number | Description | Qty | Remarks |
|---------|-----------------|--------------------------|-----|---------|
| 1 | 66M-14301-12-00 | CARBURETOR ASSY 1 | 1 | |
| 2 | 66M-14381-02-00 | . BODY, FLOAT CHAMBER | 1 | |
| 3 | 62Y-14383-00-00 | .. SCREW, DRAIN | 1 | |
| 4 | 66M-14398-00-00 | .. GASKET | 1 | |
| 5 | 677-14383-01-00 | .. SCREW, DRAIN | 1 | |
| 6 | 6L2-14398-00-00 | .. GASKET | 1 | |
| 7 | 66M-14325-00-00 | .. SCREW, PAN HEAD | 3 | |
| 8 | 66M-14377-00-00 | .. STOPPER | 1 | |
| 9 | 66M-14958-00-00 | .. COVER, DIAPHRAGM | 1 | |
| 10 | 66M-14368-01-00 | .. DIAPHRAGM ASSY 1 | 1 | |
| 11 | 6G8-14275-02-00 | .. SPRING | 1 | |
| 12 | 66M-14239-00-00 | .. SEAL | 1 | |
| 13 | 66M-14225-00-00 | .. CAP | 1 | |
| 14 | 66M-14384-00-00 | .. GASKET, FLOAT CHAMBER | 1 | |
| 15 | 66M-14827-00-00 | .. FILTER | 1 | |
| 16 | 6L2-14385-00-00 | . FLOAT | 1 | |
| 17 | 6E5-14386-01-00 | . PIN, FLOAT | 1 | |
| 18 | 6L2-14392-00-00 | . VALVE | 1 | |
| 19 | 97980-04110-00 | ..SCREW, WITH WASHER | 2 | |
| 20 | 6L2-14157-00-00 | . COVER, MIXING | 1 | |

CONTINUED ON NEXT FRAME >

CARBURETOR



66M4100D0701
Revised: 8-23-2017

| Ref No. | Part Number | Description | Qty | Remarks |
|---------|-----------------|---------------------------|-----|---------|
| 21 | 62Y-14399-00-00 | . GASKET | 1 | |
| 22 | 66M-14341-00-00 | . NOZZLE, MAIN | 1 | |
| 23 | 66M-14343-52-00 | . JET, MAIN (#104) | 1 | |
| 24 | 66M-14342-23-00 | . JET, PILOT (#45) | 1 | |
| 25 | 66M-14355-00-00 | . PLUG | 1 | |
| 26 | 5H0-14323-00-00 | . SCREW, AIR ADJUSTING | 1 | |
| 27 | 30X-14334-00-00 | . SPRING, AIR ADJUSTING | 1 | |
| 28 | 62Y-14521-00-00 | . . SCREW, THROTTLE | 1 | |
| 29 | 97980-04112-00 | . SCREW, WITH WASHER | 4 | |
| 30 | 62Y-14397-00-00 | . O-RING | 1 | |
| 31 | 98980-04006-00 | . SCREW, BIND | 1 | |
| 32 | 646-14212-01-00 | . SPRING, PILOT ADJUSTING | 1 | |
| 33 | 6F5-14397-00-00 | . O-RING | 1 | |
| 34 | 66M-14272-00-00 | . CHECK VALVE ASSY | 1 | |
| 35 | 97890-04005-00 | . SCREW, PAN HEAD | 1 | |
| 36 | 66M-14157-00-00 | . PLATE | 1 | |
| 37 | 98580-03005-00 | . .SCREW, PAN HEAD | 1 | |
| 38 | 66L-1432A-00-00 | . PLUG | 1 | |
| 39 | 69M-24533-00-00 | . . .O-RING | 2 | |