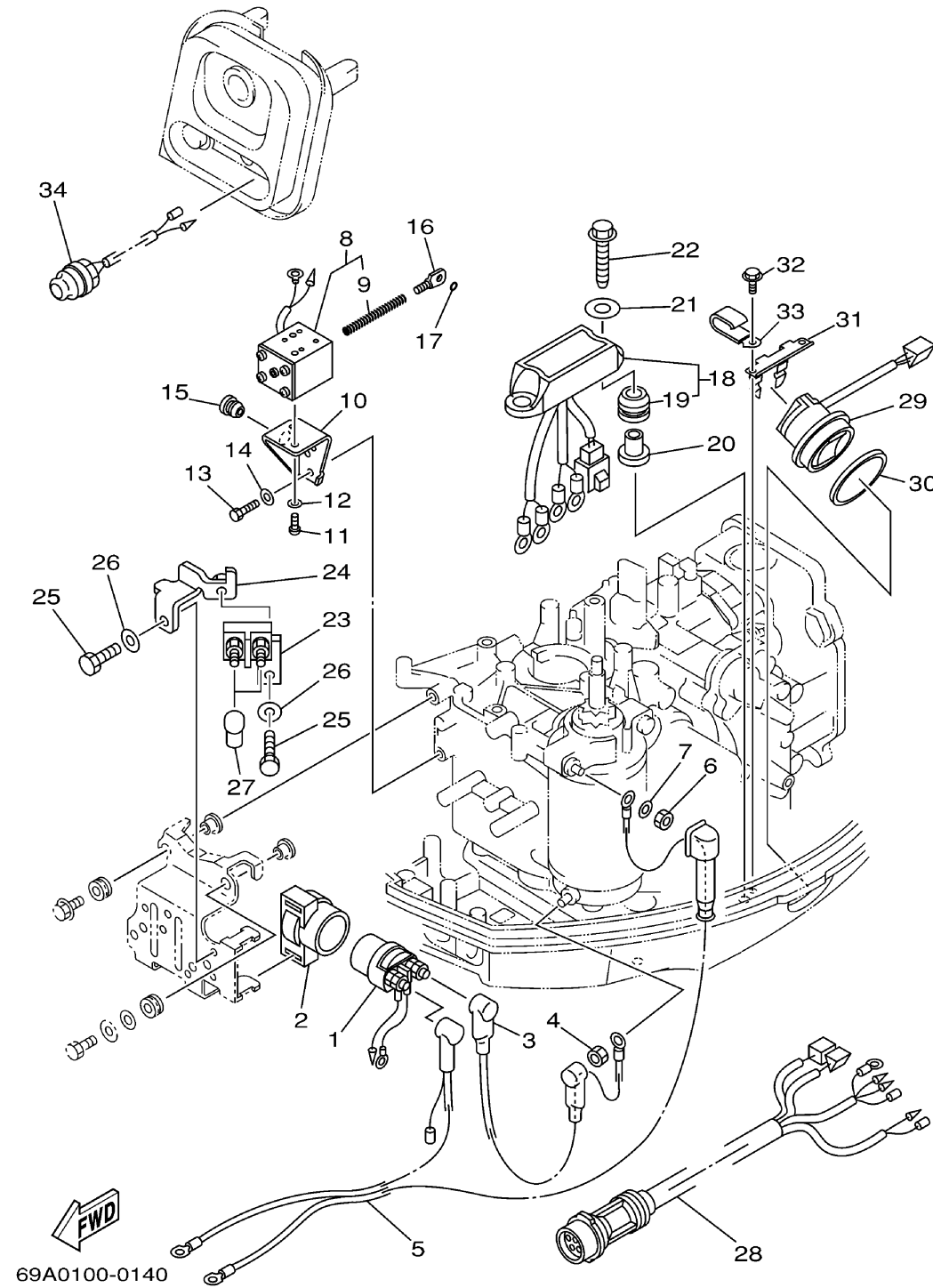


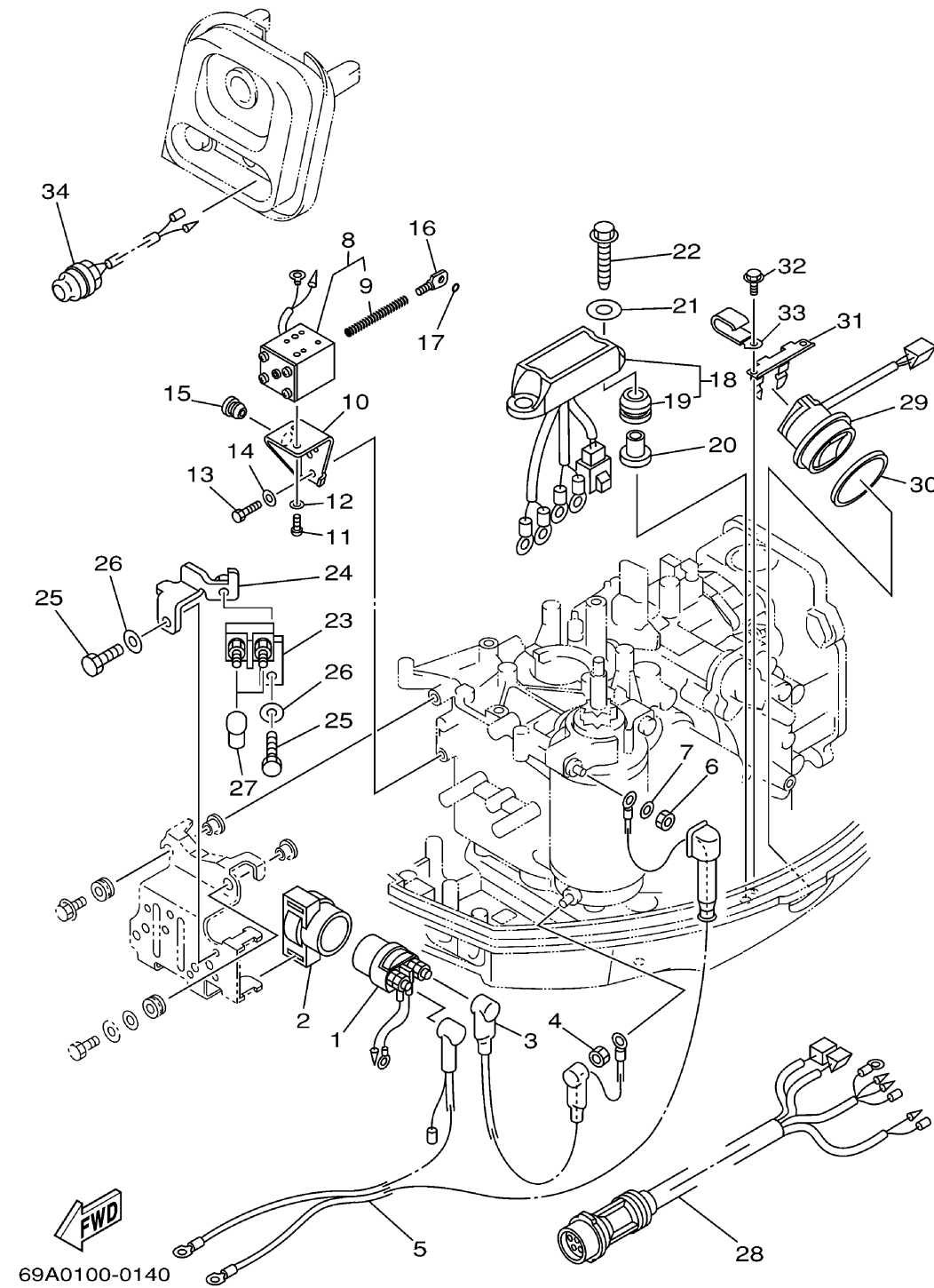
ELECTRICAL 2



Ref No.	Part Number	Description	Qty	Remarks
1	6G1-81941-10-00	STARTER RELAY ASSY	1	
2	6G1-81952-00-00	HOLDER, RELAY	1	
3	66M-82117-00-00	WIRE, LEAD	1	
4	65W-8182B-00-00	NUT, SPECIAL	1	
5	66M-82105-00-00	BATTERY CABLE	1	
6	95380-08700-00	NUT	1	
7	92990-08600-00	..WASHER, PLATE	1	
8	66M-86111-00-00	COIL, SOLENOID	1	PR
9	66M-86116-00-00	..WIRE, PULL	1	
10	66M-86112-00-00	STAY, SOLENOID	1	PR
11	97880-05008-00	SCREW, PAN HEAD	2	PR
12	92990-05600-00	WASHER, PLATE	2	PR
13	97095-06016-00	BOLT	1	UR PH
13	97095-06016-00	BOLT	2	UR PR
14	92995-06600-00	WASHER	2	UR PR
14	92995-06600-00	WASHER	1	UR PH
15	90480-10M13-00	GROMMET	1	PR
16	66M-86117-00-00	HOOK, WIRE PULL	1	PR
17	93210-03261-00	O-RING	1	PR
18	69A-81950-00-00	RELAY ASSY	1	

CONTINUED ON NEXT FRAME >

ELECTRICAL 2



Ref No.	Part Number	Description	Qty	Remarks
19	90480-09M12-00	. GROMMET	2	
20	90387-06M03-00	COLLAR	2	
21	90201-06416-00	WASHER, PLATE	2	
22	90109-06MA2-00	BOLT	2	
23	6H5-81920-00-00	TERMINAL ASSY	1	
24	69A-81929-00-00	BRACKET, TERMINAL	1	
25	97095-06012-00	BOLT	2	
26	92995-06600-00	WASHER	2	
27	6G5-82119-00-00	COVER, LEAD WIRE	2	
28	69A-82590-00-00	WIRE HARNESS ASSY (10P)	1	PR
29	63D-82563-10-00	TRIM & TILT SWITCH ASSY	1	PR
30	6E5-82587-00-00	GASKET	1	PR
31	69A-83614-00-00	BRACKET	1	PR
32	90109-06M86-00	BOLT	2	PR
33	90465-06M88-00	CLAMP	1	PR
34	65W-81870-00-00	STARTING SWITCH ASSY	1	PH