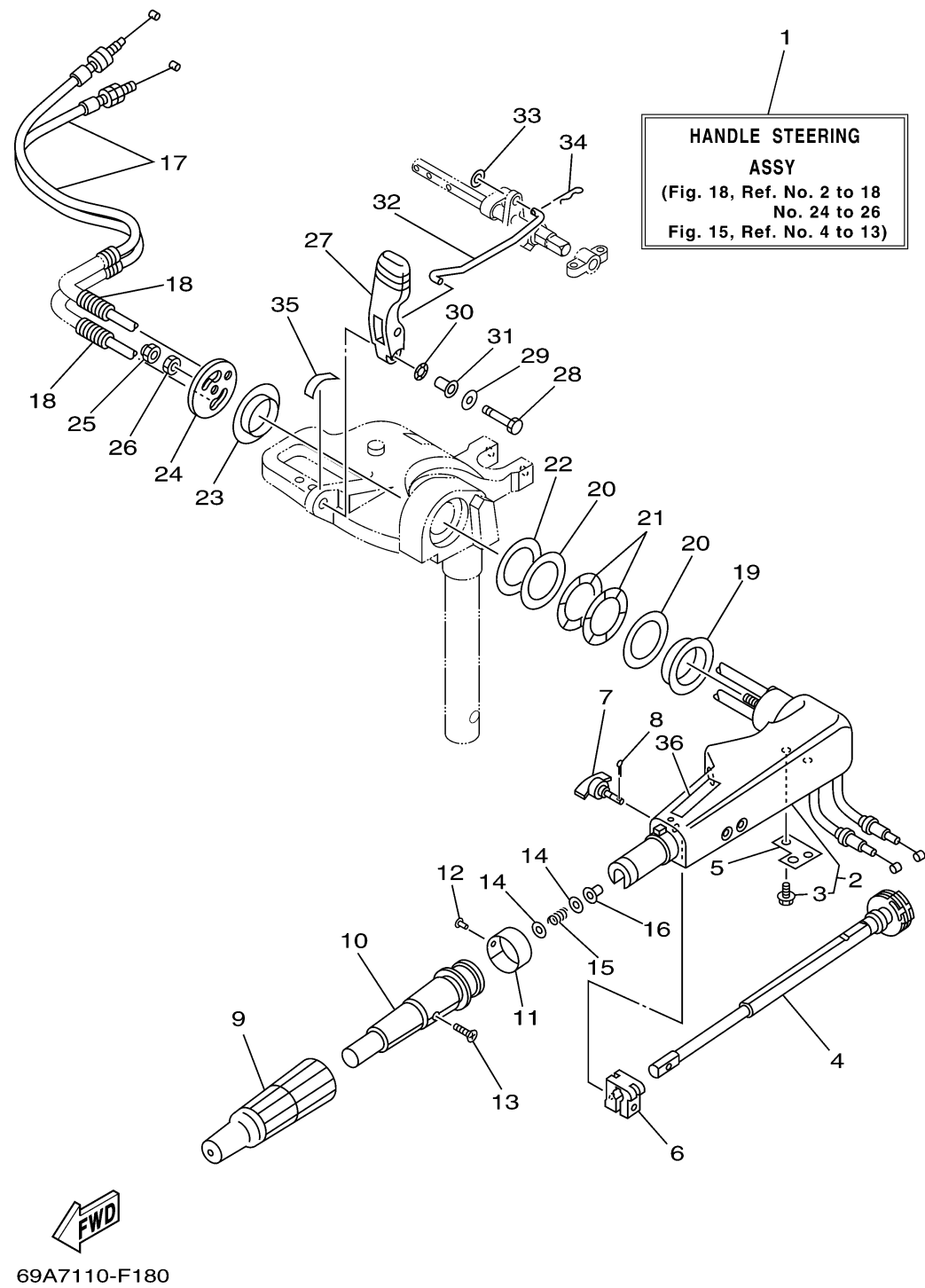


69A7110-F180

STEERING PH

| Ref No. | Part Number | Description | Qty | Remarks |
|---------|-----------------|---------------------------------|-----|---------|
| 1 | 69A-W0084-00-4D | HANDLE STEERING ASSY | 1 | |
| 2 | 69A-42101-00-4D | HANDLE, STEERING | 1 | |
| 3 | 90109-06M86-00 | . BOLT | 2 | |
| 4 | 65W-42138-00-00 | LEVER, THROTTLE | 1 | |
| 5 | 69A-42159-00-00 | STAY | 1 | |
| 6 | 6G1-42126-00-00 | FRICITION, STEERING HANDLE GRIP | 1 | |
| 7 | 65W-42125-00-00 | BOLT, FRICTION ADJUSTING | 1 | |
| 8 | 91490-16010-00 | PIN. COTTER | 1 | |
| 9 | 66M-42177-00-00 | RUBBER, HANDLE | 1 | |
| 10 | 66M-42119-00-00 | GRIP, STEERING HANDLE | 1 | |
| 11 | 689-42137-20-00 | INDICATOR, THROTTLE | 1 | |
| 12 | 90269-02M09-00 | RIVET | 1 | |
| 13 | 90149-05M13-00 | SCREW | 1 | |
| 14 | 90201-10M02-00 | WASHER, PLATE | 2 | |
| 15 | 90501-23215-00 | SPRING, COMPRESSION | 1 | |
| 16 | 90386-08032-00 | BUSH | 1 | |
| 17 | 66M-26311-00-00 | CABLE, THROTTLE 1 | 2 | |
| 18 | 90446-10M87-00 | HOSE (L75) | 2 | |
| 19 | 90386-40MA0-00 | BUSH | 1 | |
| 20 | 90201-43M00-00 | WASHER, PLATE | 2 | |

CONTINUED ON NEXT FRAME >



STEERING PH

| Ref No. | Part Number | Description | Qty | Remarks |
|---------|-----------------|------------------------|-----|---------|
| 21 | 90206-43M22-00 | WASHER, WAVE | 2 | |
| 22 | 90202-43M57-00 | WASHER, PLATE | 1 | |
| 23 | 90386-40M99-00 | BUSH | 1 | |
| 24 | 66M-42131-01-00 | COVER, HANDLE STEERING | 1 | |
| 25 | 95780-10300-00 | NUT, FLANGE | 1 | |
| 26 | 95380-10700-00 | NUT | 1 | |
| 27 | 66M-44111-01-00 | HANDLE, GEAR SHIFT | 1 | |
| 28 | 97095-06030-00 | BOLT | 1 | |
| 29 | 92995-06600-00 | WASHER | 1 | |
| 30 | 90206-10M04-00 | WASHER, WAVE | 1 | |
| 31 | 90387-06M78-00 | COLLAR | 1 | |
| 32 | 66M-44124-00-00 | LINK, SHIFT ROD | 1 | |
| 33 | 92990-06200-00 | ..WASHER, PLAIN | 1 | |
| 34 | 90468-18008-00 | CLIP | 1 | |
| 35 | 6E0-44191-11-00 | INDICATOR, SHIFT | 1 | |
| 36 | 6E0-83627-41-00 | LABEL, CAUTION 7 | 1 | |