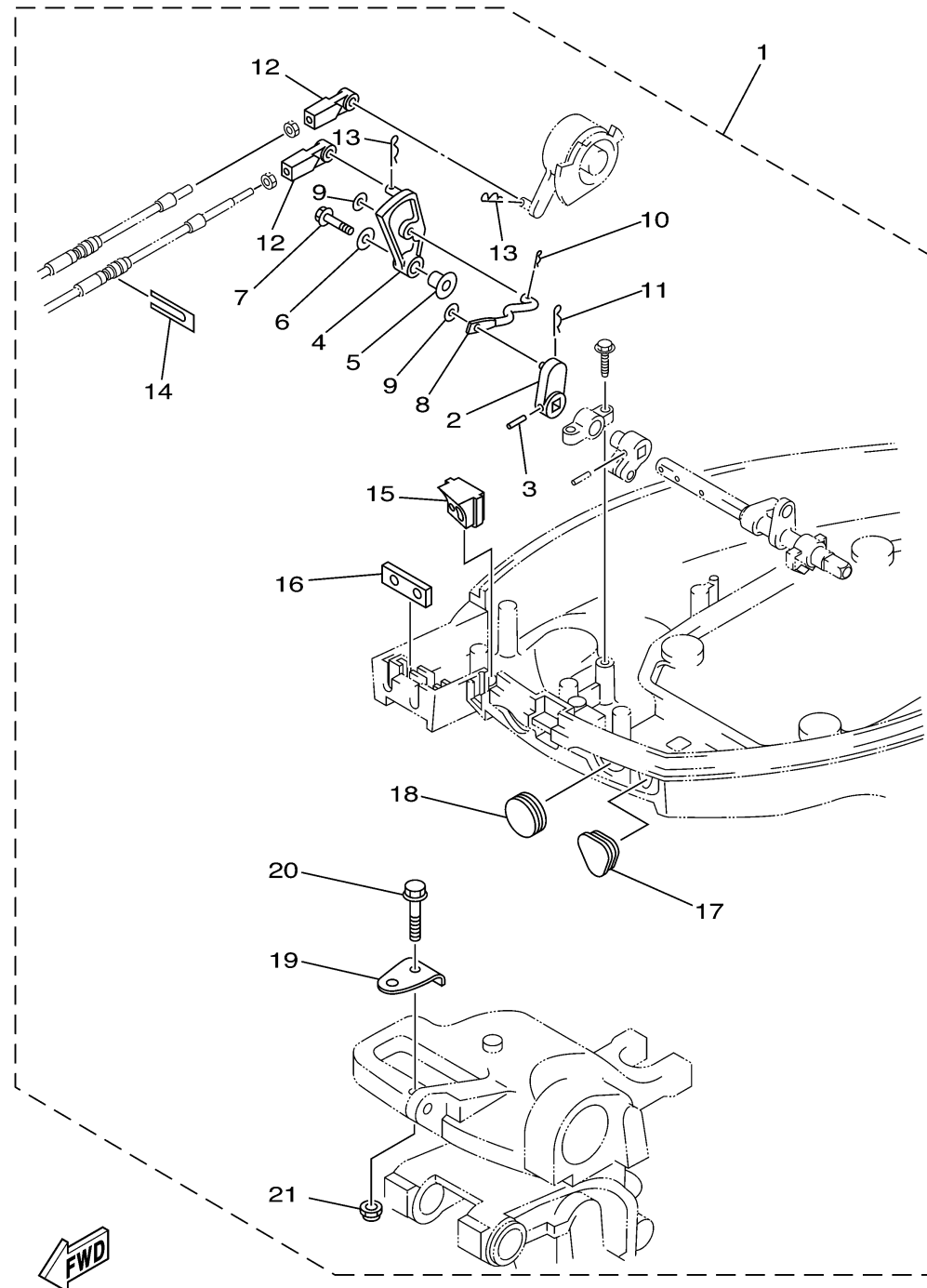


# REMO CON ATTACHMENT



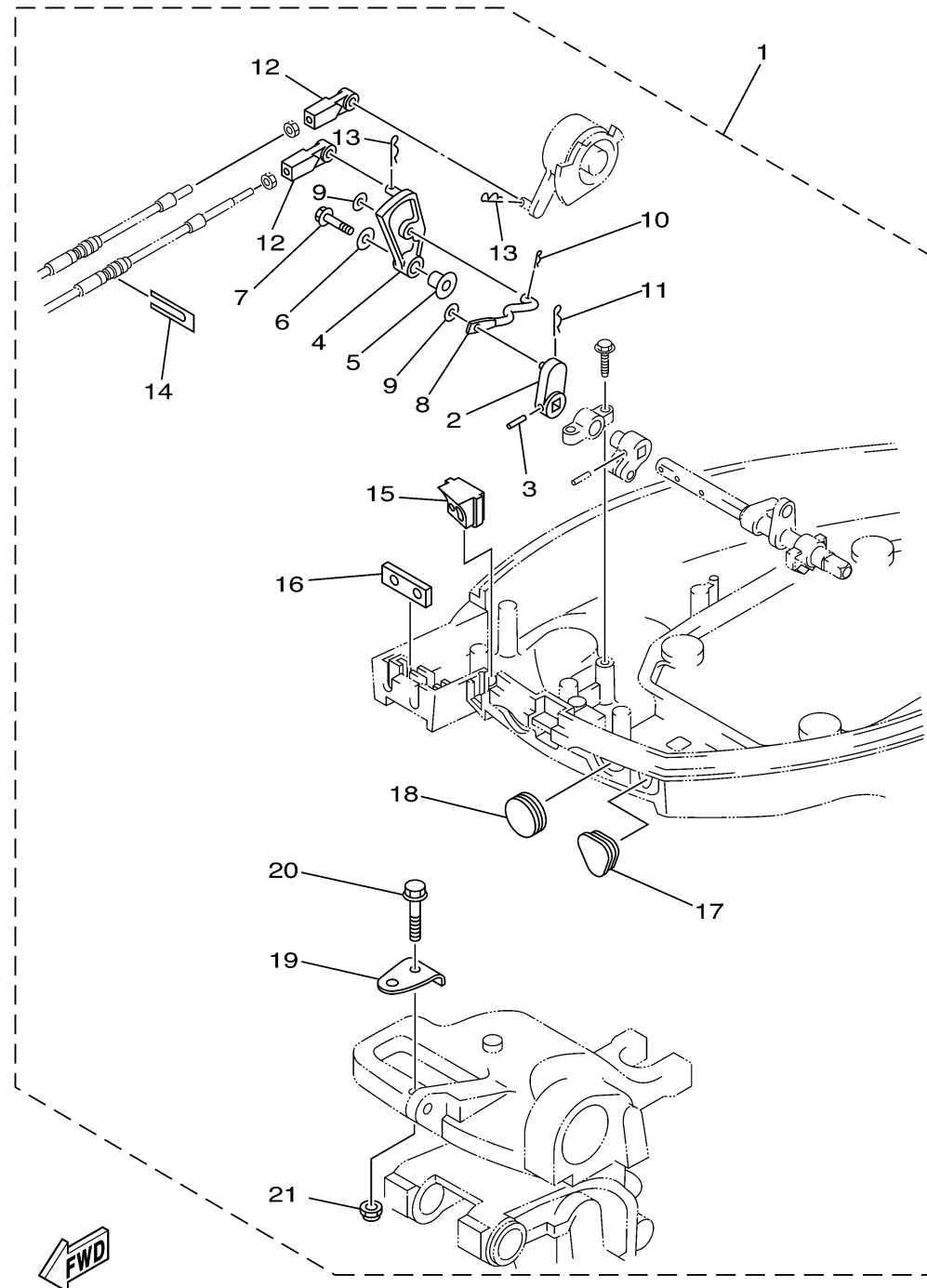
66M0010-9190

Ref No.	Part Number	Description	Qty	Remarks
1	66M-48501-00-00	REMOTE CONT. ATTACHMENT ASSY.	1	AP
2	65W-44142-00-00	. JOINT	1	
3	90254-03M05-00	. PIN, SPRING	1	
4	65W-44125-00-00	. LEVER, SHIFT ROD	1	
5	90387-06M29-00	. COLLAR	1	
6	90201-06M31-00	. WASHER, PLATE	1	
7	97595-06525-00	. BOLT, WITH WASHER	1	
8	66M-44192-00-00	. JOINT, ROD 1	1	
9	90201-05M06-00	. WASHER, PLATE	2	
10	90468-10005-00	. CLIP	1	
11	90468-18008-00	. CLIP	1	
12	663-48344-00-00	. CABLE END, REMOTE CONTROL	2	
13	90468-18008-00	. CLIP	2	
14	6H3-48538-00-00	. CLAMP, CABLE 1	1	
15	66M-42725-20-00	. GROMMET	1	
16	62Y-42727-00-00	. GROMMET	1	
17	65W-26326-10-00	. GROMMET	1	
18	65W-42726-10-00	. GROMMET	1	
19	63V-48511-01-00	. HOOK, STEERING	1	
20	97575-08535-00	. BOLT, WITH WASHER	1	

CONTINUED ON NEXT FRAME >

# REMO CON ATTACHMENT

Ref No.	Part Number	Description	Qty	Remarks
21	90185-08057-00	. NUT, SELF-LOCKING	1	



66M0010-9190