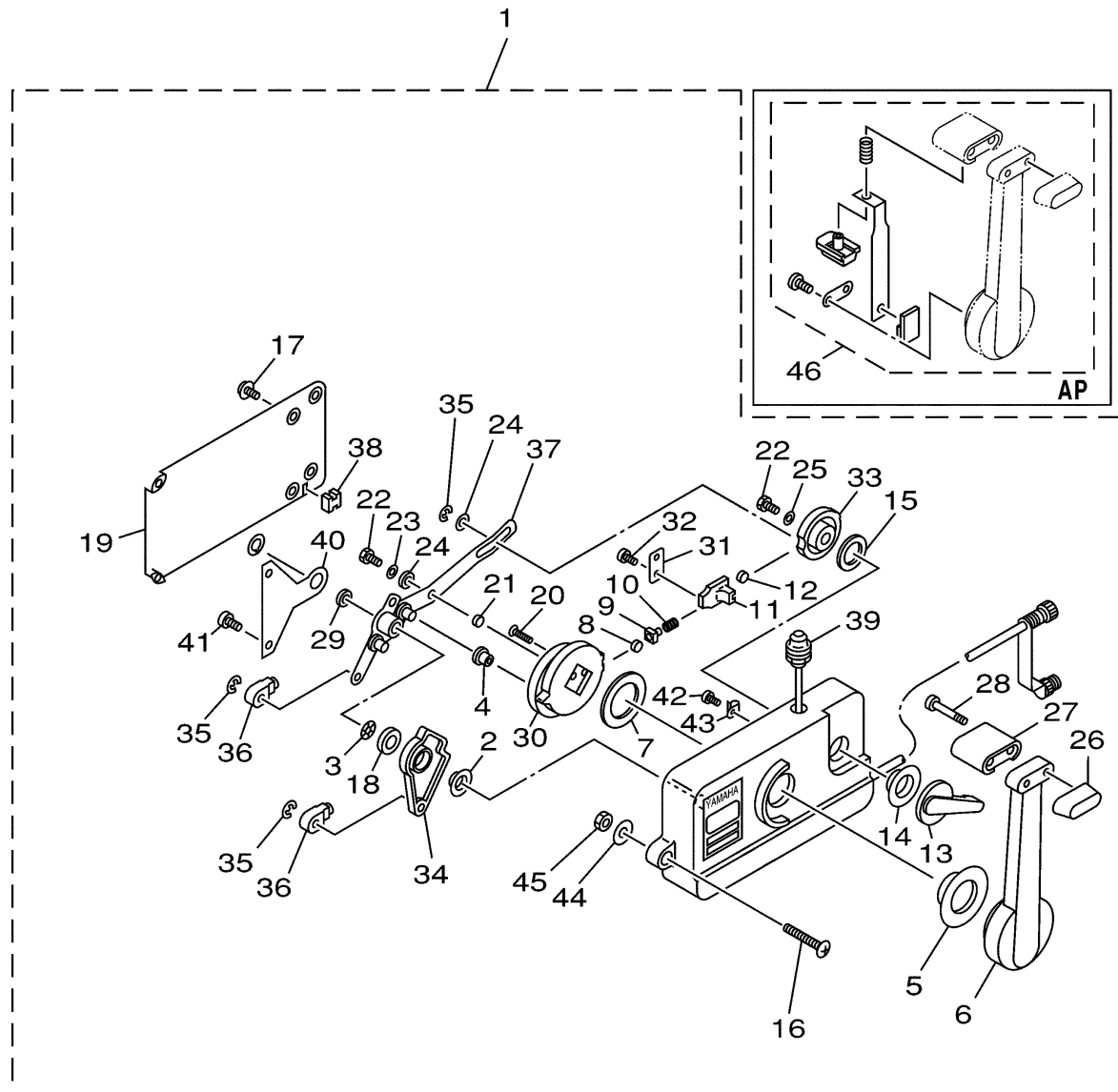


# CONTROL 701 MANUAL PUSH

Ref No.	Part Number	Description	Qty	Remarks
1	701-48130-02-00	REMOTE CONTROL ASSY (MANUAL)	1	
2	701-48235-00-00	..BUSHING	1	
3	701-48197-10-00	..WASHER, WAVE	1	
4	701-48252-00-00	..ROLLER, CAM	1	
5	701-48234-00-00	..BUSHING 1	1	
6	701-48221-00-00	..LEVER, CONTROL	1	
7	701-48196-11-00	..WASHER, WAVE	1	
8	701-48236-00-00	..ROLLER, DETENT	1	
9	702-48237-00-00	..ADAPTOR	1	
10	702-48238-00-00	..SPRING, DETENT	1	
11	701-48249-00-00	..ADAPTOR, SPRING	1	
12	701-48248-00-00	..ROLLER, FREE ACCEL.	1	
13	701-48152-11-00	..KNOB, FREE ACCEL.	1	
14	701-48243-00-00	..BUSHING	1	
15	701-48198-10-00	..WASHER, WAVE	1	
16	701-48281-10-00	..SCREW	3	
17	701-48289-00-00	..SCREW	4	
18	701-48268-00-00	..SPACER	1	
19	701-48213-00-00	..BACK PLATE 2	1	
20	92780-06025-00	..SCREW, FLAT HEAD	2	



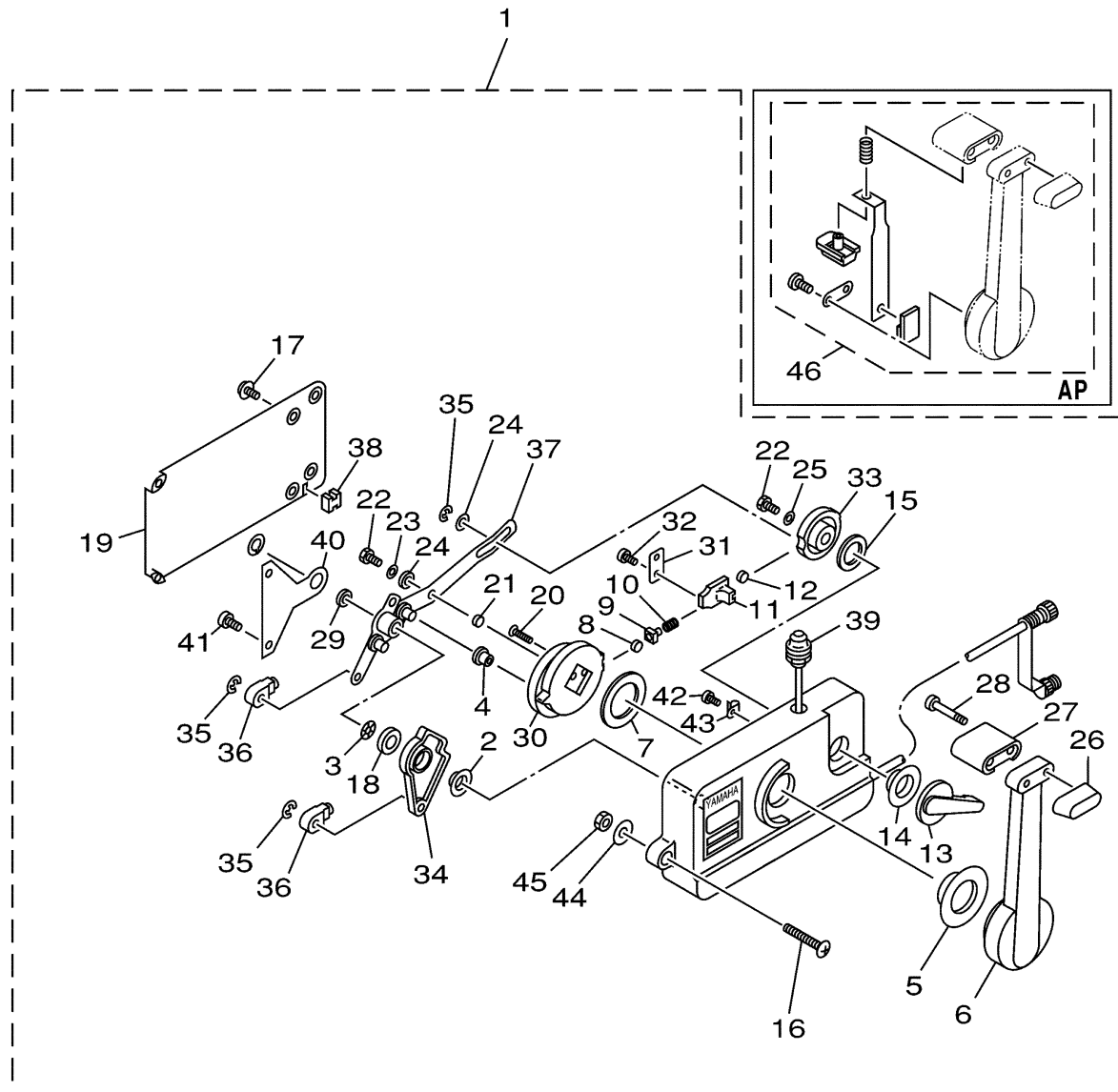
CONTINUED ON NEXT FRAME >



63V0100-9231

# CONTROL 701 MANUAL PUSH

Ref No.	Part Number	Description	Qty	Remarks
21	701-48255-00-00	. .COLLAR	1	
22	97390-06018-00	. .BOLT	2	
23	702-48288-00-00	. .WASHER, PLAIN	1	
24	701-48246-00-00	. .SPACER	2	
25	92990-06300-00	. .WASHER, INTERNAL TOOTH	1	
26	701-48229-00-00	. .GRIP, CONTROL LEVER	1	
27	701-48222-00-00	. .GRIP, CONTROL LEVER	1	
28	701-48282-00-00	. .SCREW	2	
29	701-48266-00-00	. .SPACER	1	
30	701-48232-00-00	. .GEAR	1	
31	701-48189-11-00	. .RETAINER	1	
32	98580-05010-00	. .SCREW, PAN HEAD	2	
33	701-48153-12-00	. .SHAFT, FREE ACCEL.	1	
34	701-48271-00-00	. .ARM, SHIFT	1	
35	93430-06024-00	. .CIRCLIP	3	
36	703-48345-01-00	. .CABLE END, REMOTE CONTROL 2	2	
37	701-48261-00-00	. .ARM, THROTTLE	1	
38	701-48358-00-00	. .ANCHOR, CABLE	1	
39	701-82550-51-00	. .ENGINE STOP SWITCH ASSY	1	
40	701-48133-00-00	. .PLATE, LINK	1	



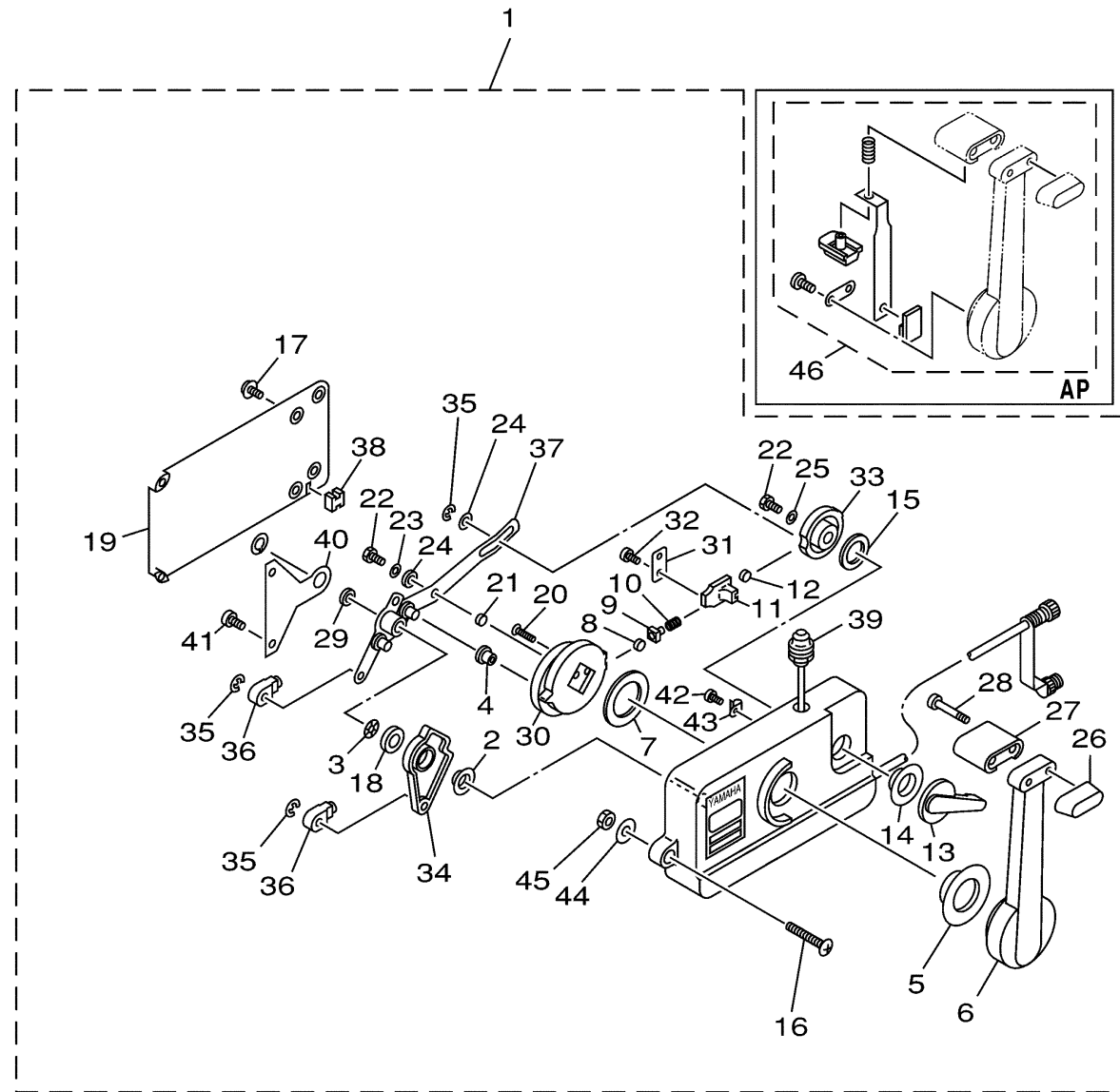
CONTINUED ON NEXT FRAME >



63V0100-9231

# CONTROL 701 MANUAL PUSH

Ref No.	Part Number	Description	Qty	Remarks
41	98580-05020-00	. SCREW, PAN HEAD	2	
42	701-48283-00-00	. SCREW	1	
43	701-82594-00-00	. CLAMP	1	
44	701-48287-00-00	. . WASHER	3	
45	95380-06600-00	. .NUT, HEXAGON	3	
46	701-48280-00-00	. NEUTRAL LOCK KIT	1	AP



63V0100-9231