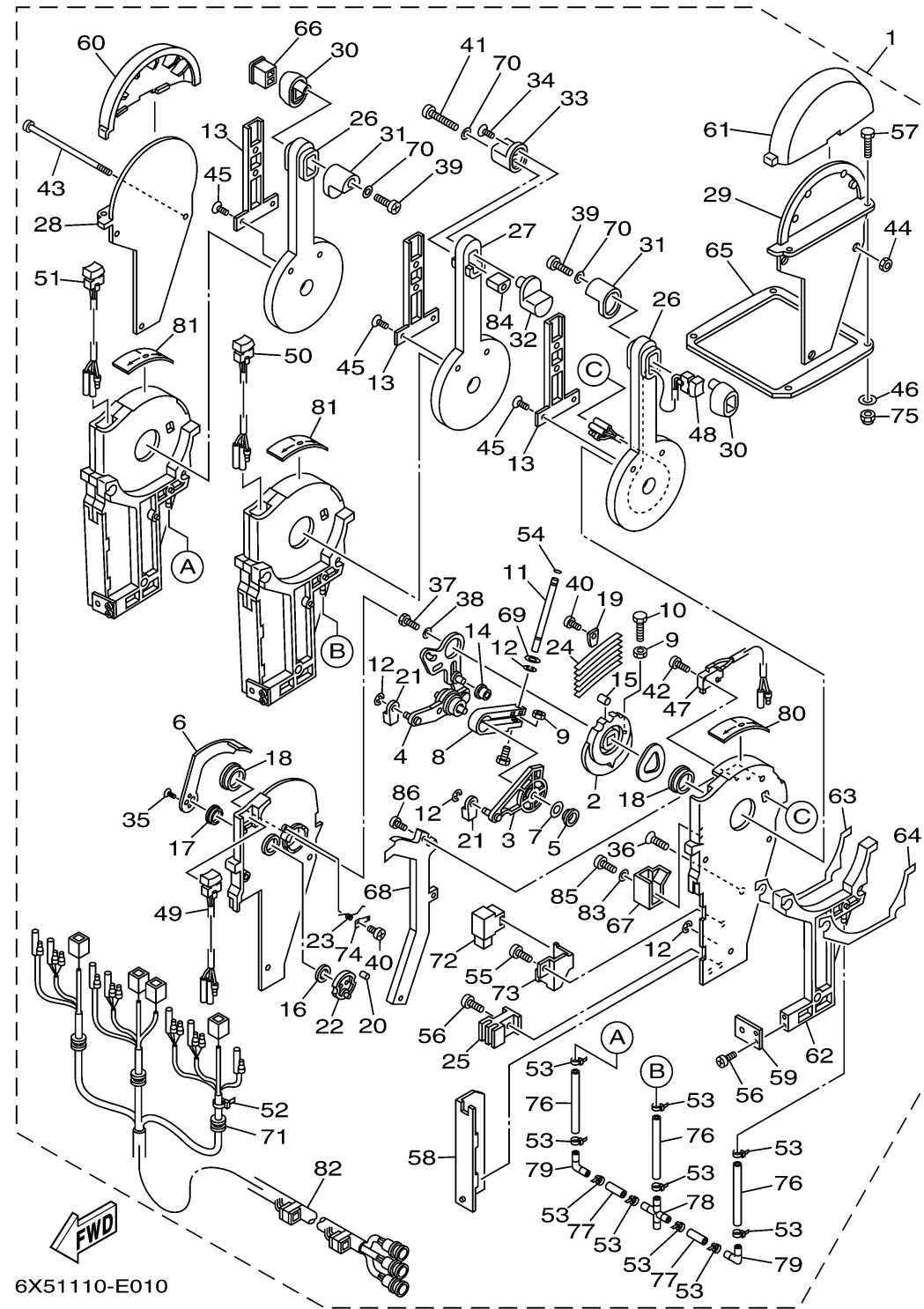


# CONTROL BINNACLE PREMIUM TRIPLE

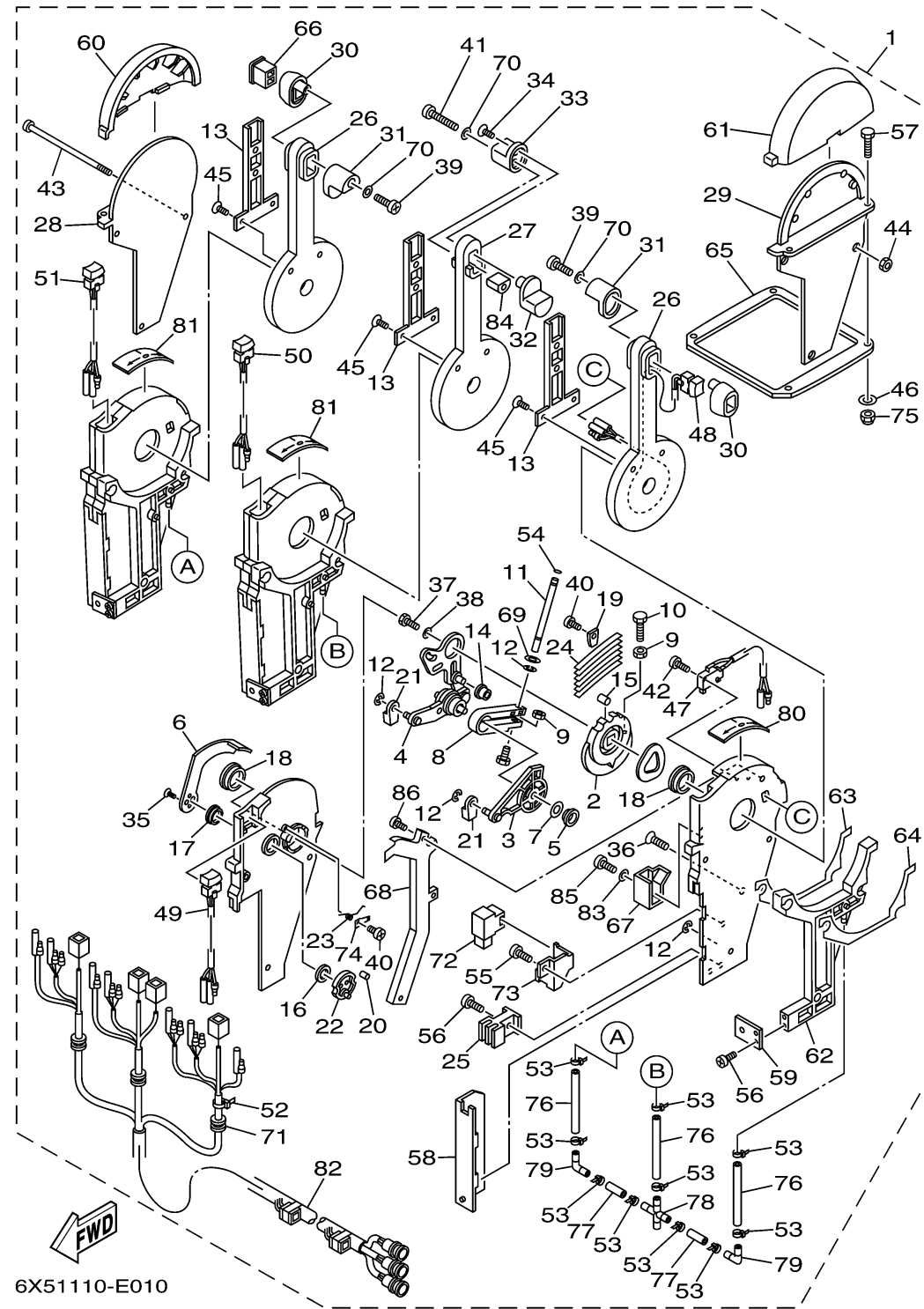


6X51110-E010

Ref No.	Part Number	Description	Qty	Remarks
1	6X5-48207-01-00	REMOTE CONTROL ASSY	1	
2	6X5-48232-00-00	..GEAR	3	
3	6X5-48271-00-00	..ARM, SHIFT	3	
4	6X5-48261-00-00	..ARM, THROTTLE	3	
5	703-48235-00-00	..BUSHING	3	
6	6X5-48152-00-00	..KNOB, FREE ACCEL.	3	
7	703-48268-00-00	..SPACER	3	
8	6X5-48264-00-00	..FRICTION, THROTTLE	3	
9	95380-05600-00	..NUT	6	
10	97380-05025-00	..BOLT	3	
11	6X5-48265-00-00	..SHAFT, FRICTION	3	
12	93430-06024-00	..CIRCLIP	12	
13	6X5-48224-00-00	..COVER, CONTROL LEVER	3	
14	703-48252-00-00	..ROLLER, CAM	3	
15	701-48248-00-00	..ROLLER, FREE ACCEL.	3	
16	703-48198-00-00	..WASHER, WAVE	3	
17	703-48243-00-00	..BUSHING	3	
18	703-48236-00-00	..BUSHING 1	6	
19	703-48189-00-00	..RETAINER	3	
20	703-48234-00-00	..ROLLER, DETENT	3	

CONTINUED ON NEXT FRAME >

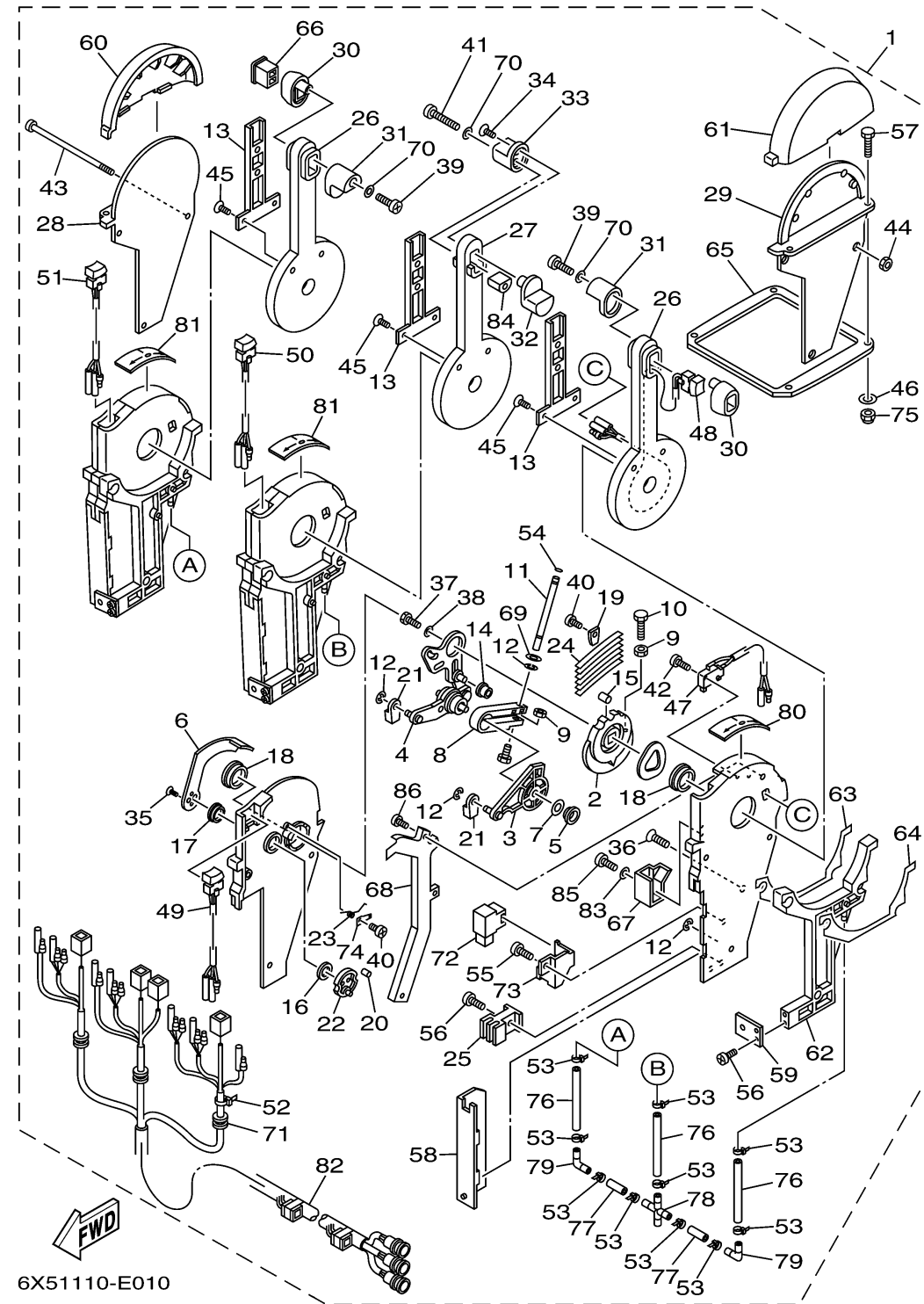
# CONTROL BINNACLE PREMIUM TRIPLE



Ref No.	Part Number	Description	Qty	Remarks
21	703-48345-01-00	..CABLE END, REMOTE CONTROL 2	6	
22	703-48153-00-00	..SHAFT, FREE ACCEL.	3	
23	703-48244-00-00	..SPRING, FREE ACCEL.	3	
24	703-48238-00-00	..SPRING, DETENT	18	
25	6X5-48358-00-00	..ANCHOR, CABLE	3	
26	6X5-48221-00-00	..LEVER, CONTROL	2	
27	6X5-48221-00-00	..LEVER, CONTROL	1	
28	6X5-48144-10-00	..PLATE, STOPPER 2	1	
29	6X5-48144-00-00	..PLATE, STOPPER 2	1	
30	6X5-48229-00-00	..GRIP, CONTROL LEVER	2	
31	6X5-48222-00-00	..GRIP, CONTROL LEVER	2	
32	6X5-48229-10-00	..GRIP, CONTROL LEVER	1	
33	6X5-48222-10-00	..GRIP, CONTROL LEVER	1	
34	6X5-48127-00-00	..SCREW 1	1	
35	703-48128-00-00	..SCREW 2	6	
36	6X5-48129-00-00	..SCREW 3	9	
37	97380-08030-00	..BOLT	3	
38	92990-08600-00	..WASHER, PLATE	3	
39	6X5-48127-10-00	..SCREW 1	2	
40	98580-04006-00	..SCREW, PAN HEAD	6	

CONTINUED ON NEXT FRAME >

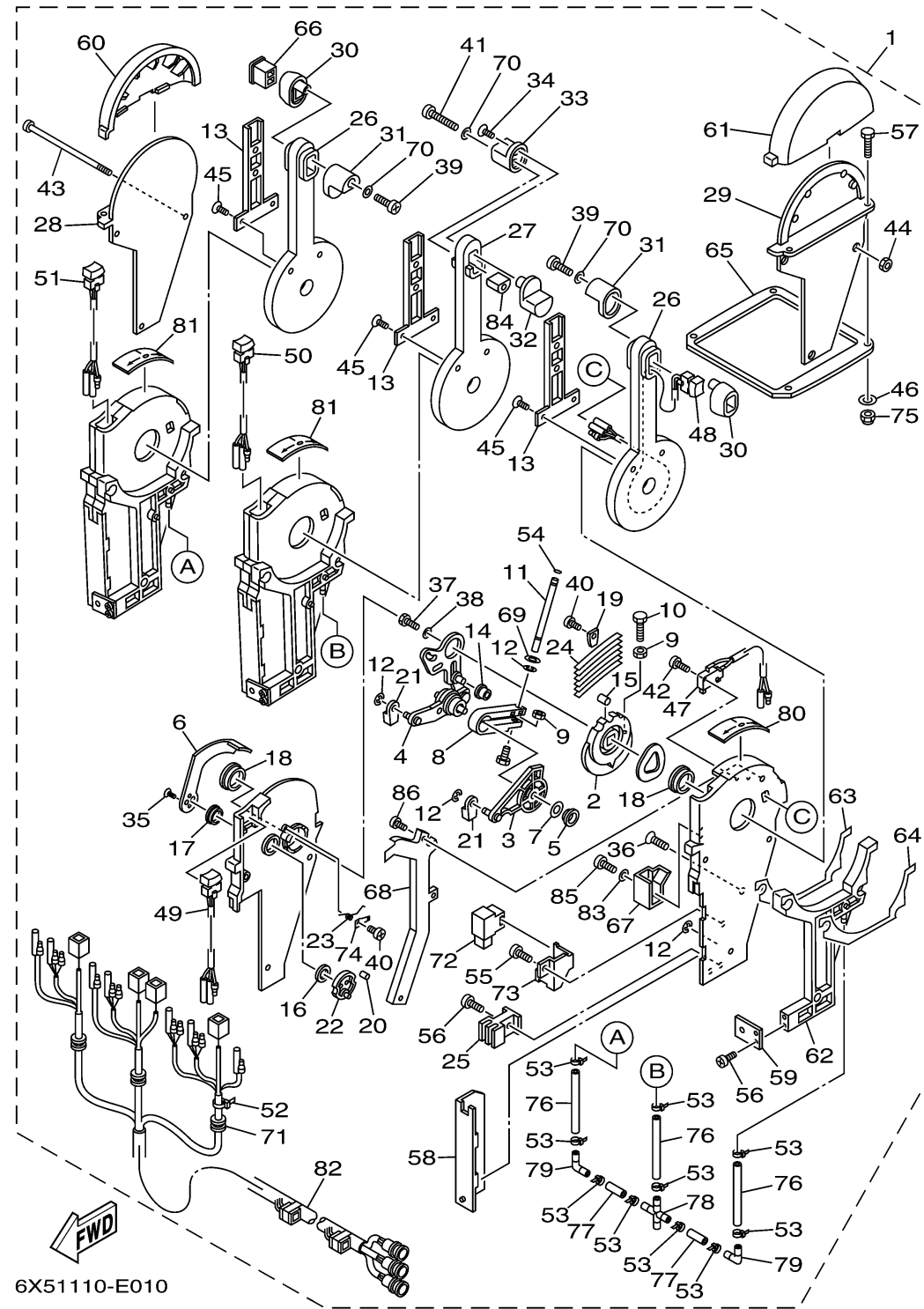
# CONTROL BINNACLE PREMIUM TRIPLE



Ref No.	Part Number	Description	Qty	Remarks
41	6X5-48127-20-00	..SCREW 1	1	
42	98580-03015-00	..SCREW, PAN HEAD	6	
43	6X5-48267-00-00	..BOLT SET	3	
44	95780-06300-00	..NUT, FLANGE	3	
45	98780-04010-00	..SCREW, FLAT HEAD	6	
46	704-48287-00-00	..WASHER	4	
47	6X5-82540-00-00	..NEUTRAL SWITCH ASSY	3	
48	6X5-82563-00-00	..TRIM & TILT SWITCH ASSY	1	
49	6X5-82563-10-00	..TRIM & TILT SWITCH ASSY	1	
50	6X5-82563-20-00	..TRIM & TILT SWITCH ASSY	1	
51	6X5-82563-30-00	..TRIM & TILT SWITCH ASSY	1	
52	6X5-48291-00-00	..ATTACHMENT	1	
53	6X5-48292-00-00	..ATTACHMENT 2	12	
54	6X5-48351-00-00	..SEAL, RUBBER	3	
55	98580-05010-00	..SCREW, PAN HEAD	3	
56	98580-05012-00	..SCREW, PAN HEAD	12	
57	98580-05040-00	..SCREW, PAN HEAD	4	UR
57	97780-05130-00	..SCREW, TAPPING	4	UR
58	6X5-48213-00-00	..BACK PLATE 2	3	
59	6X5-48354-00-00	..SET-PLATE, CABLE	3	

CONTINUED ON NEXT FRAME >

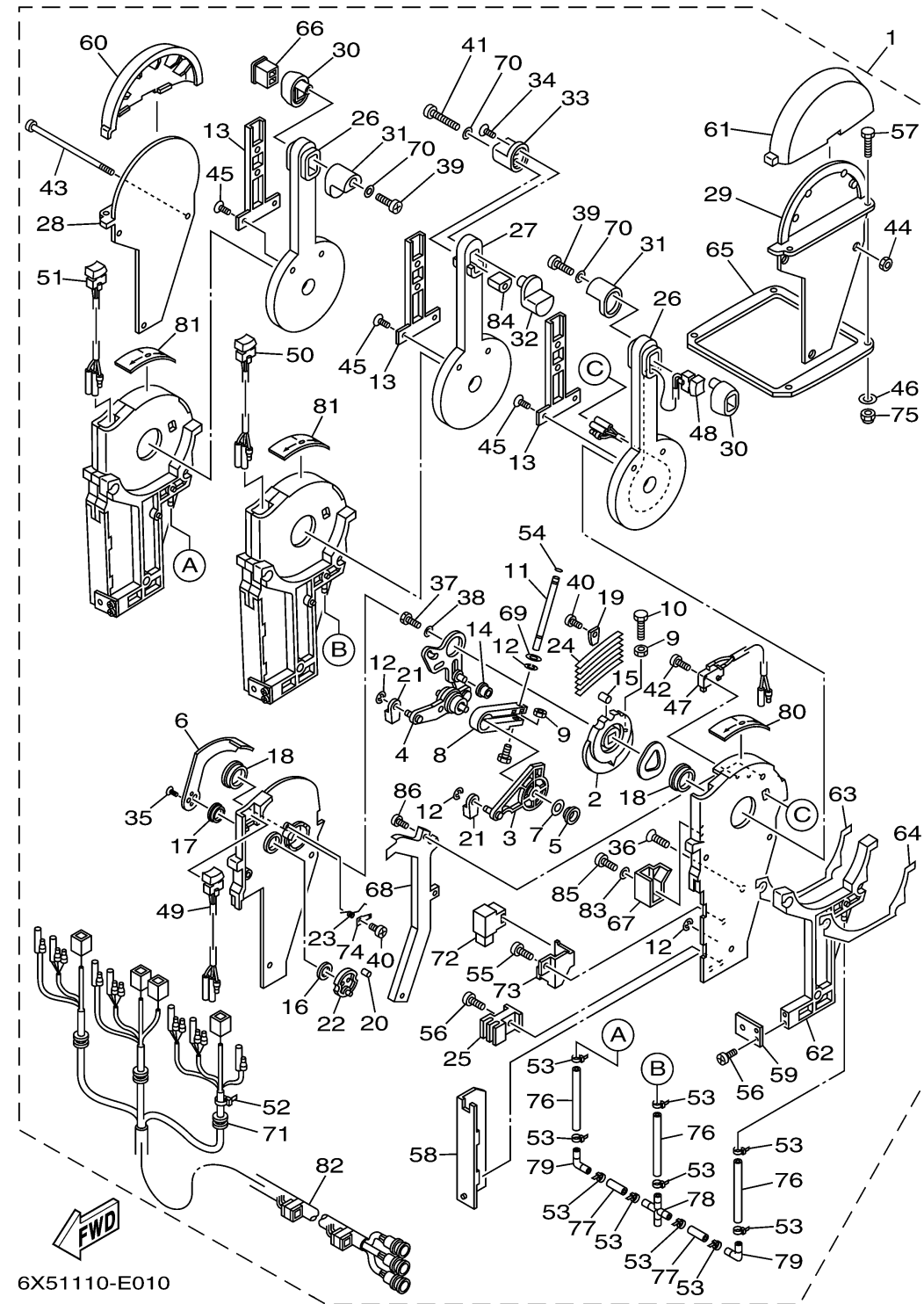
# CONTROL BINNACLE PREMIUM TRIPLE



Ref No.	Part Number	Description	Qty	Remarks
60	6X5-48119-10-00	..COVER	1	
61	6X5-48119-00-00	..COVER	1	
62	6X5-48246-00-00	..SPACER	3	
63	6X5-48214-00-00	..PAD	3	
64	6X5-48214-10-00	..PAD	3	
65	6X5-48176-00-00	..GROMMET	1	
66	6X5-48222-20-00	..GRIP, CONTROL LEVER	1	
67	6X5-48219-00-00	..COVER, LEAD	3	
68	6X5-48225-00-00	..COVER	3	
69	92990-08600-00	..WASHER, PLATE	3	
70	92990-05300-00	..WASHER, INTERNAL TOOTH	3	
71	6X5-48175-00-00	..BOOT	3	
72	704-81950-10-00	..RELAY ASSY	4	
73	6X5-48228-00-00	..HOLDER, SWITCH	3	
74	703-48246-00-00	..SPACER	3	
75	95380-06600-00	..NUT, HEXAGON	4	
76	6X5-48317-00-00	..TUBE	3	
77	7X5-48317-10-00	..TUBE	2	
78	6X5-48338-00-00	..CONNECTOR	1	
79	6X5-48338-10-00	..CONNECTOR	2	

CONTINUED ON NEXT FRAME >

# CONTROL BINNACLE PREMIUM TRIPLE



Ref No.	Part Number	Description	Qty	Remarks
80	6X5-48215-00-00	..GRAPHIC	1	
81	6X5-48215-10-00	..GRAPHIC	2	
82	6X5-82590-00-00	..WIRE HARNESS ASSY	1	
83	6X5-48267-00-00	..BOLT SET	3	
84	92990-05200-00	...WASHER, PLAIN	15	
85	6X5-48222-30-00	..GRIP, CONTROL LEVER	1	
86	98580-05012-00	..SCREW, PAN HEAD	15	