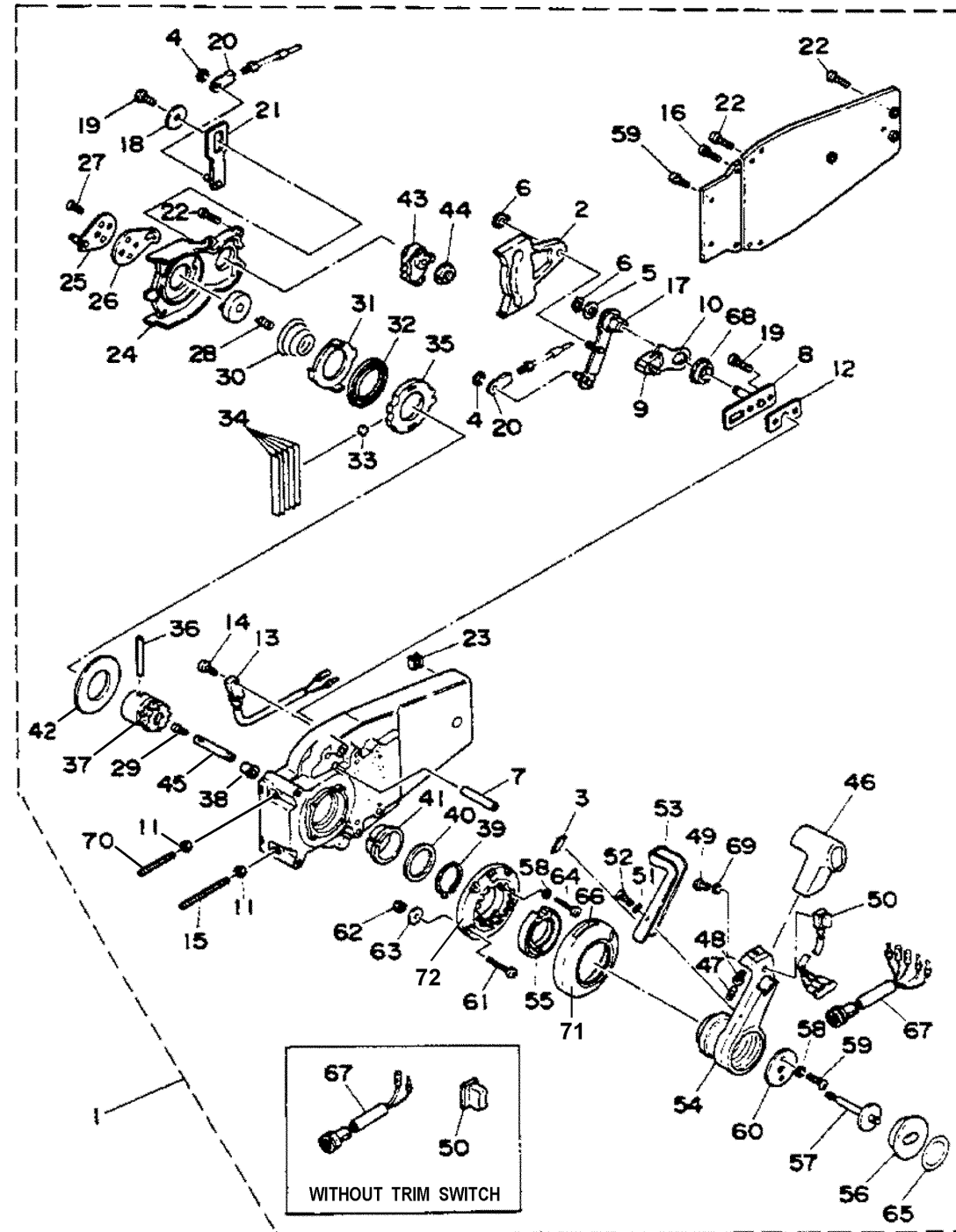


# CONTROL FLUSH STANDARD



Ref No.	Part Number	Description	Qty	Remarks
1	6X0-48206-12-00	705 FLUSH (90) CONTROL ASSY	1	WITH PT/T SW.
2	6X0-48252-00-00	. PLATE, CAM	1	
3	6X0-48138-00-00	. .CAP, LOCK ARM	1	
4	93430-06024-00	.CIRCLIP	3	
5	92990-10600-00	. WASHER, PLATE	1	
6	EL8-48259-00-00	. .CIRCLIP 1	2	
7	6X0-48265-00-00	. .SHAFT, FRICTION	1	
8	6X0-48262-00-00	. .SHAFT, THROTTLE	1	
9	6X0-48264-00-00	. .THROTTLE, FRICTION	1	
10	6X0-48187-00-00	. .PLATE, ADJUST	1	
11	95380-06600-00	. .NUT, HEXAGON	2	
12	704-48266-00-00	. .SPACER	1	
13	704-82540-00-00	. .NEUTRAL SWITCH ASSY	1	
14	98580-03014-00	. SCREW	2	
15	704-48281-00-00	. .SCREW	1	
16	97890-05025-00	. .SCREW, PAN HEAD	2	
17	6X0-48261-00-00	. .ARM, THROTTLE	1	
18	EL8-48191-00-00	. .WASHER 1	1	
19	97080-06018-00	. BOLT	3	
20	703-48345-01-00	. .CABLE END, REMOTE CONTROL 2	2	

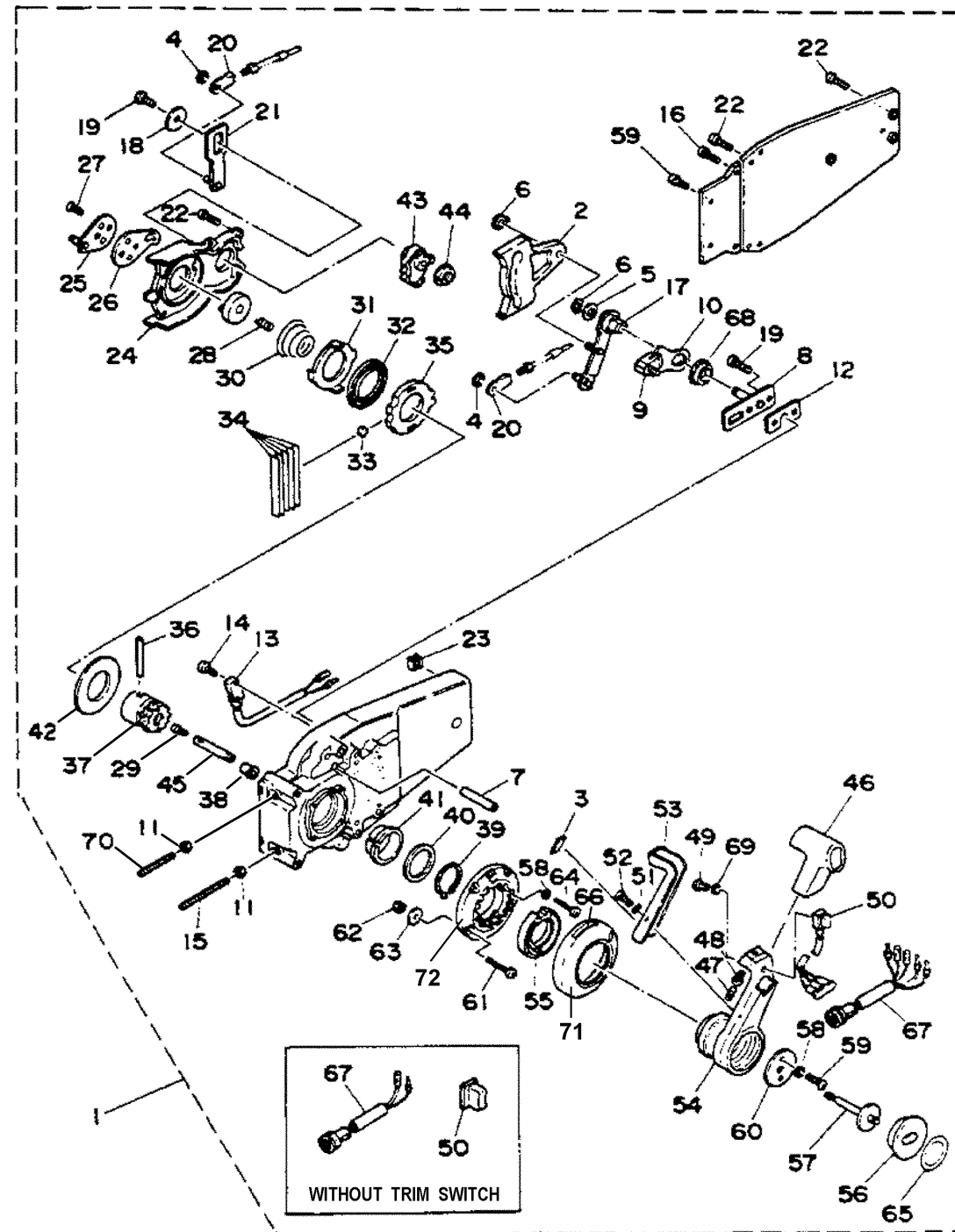
CONTINUED ON NEXT FRAME >

Revised : 04-02-2012

rigging\_parts\_0406

C11

# CONTROL FLUSH STANDARD



Ref No.	Part Number	Description	Qty	Remarks
21	EL8-48271-00-00	..ARM, SHIFT	1	
22	EL8-48127-00-00	..SCREW 1	9	
23	703-48358-00-00	..ANCHOR, CABLE	1	
24	EL8-48231-00-00	..HOUSING, GEAR	1	
25	6X0-48241-00-00	..ARM, DRIVE	1	
26	EL8-48254-00-00	..STOPPER, THROTTLE ADJUSTING	1	
27	92780-06020-00	..SCREW, FLAT HEAD	2	
28	EL8-48158-00-00	..SPRING 1	1	
29	98580-04006-00	..SCREW, PAN HEAD	1	
30	EL8-48244-00-00	..SPRING, FREE ACCEL.	1	
31	EL8-48245-00-00	..PLATE, LOCK	1	
32	704-48178-00-00	..PLATE, SHIFT	1	
33	701-48248-00-00	..ROLLER, FREE ACCEL.	1	
34	704-48238-00-00	..SPRING, DETENT	5	
35	6X0-48121-00-00	..GEAR 1	1	
36	EL8-48164-00-00	..PIN 2	1	
37	EL8-48242-10-00	..SHAFT, DRIVE	1	
38	702-48263-00-00	..BUSHING	1	
39	EL8-48279-00-00	..CIRCLIP 2	1	
40	704-48193-00-00	..WASHER 3	1	

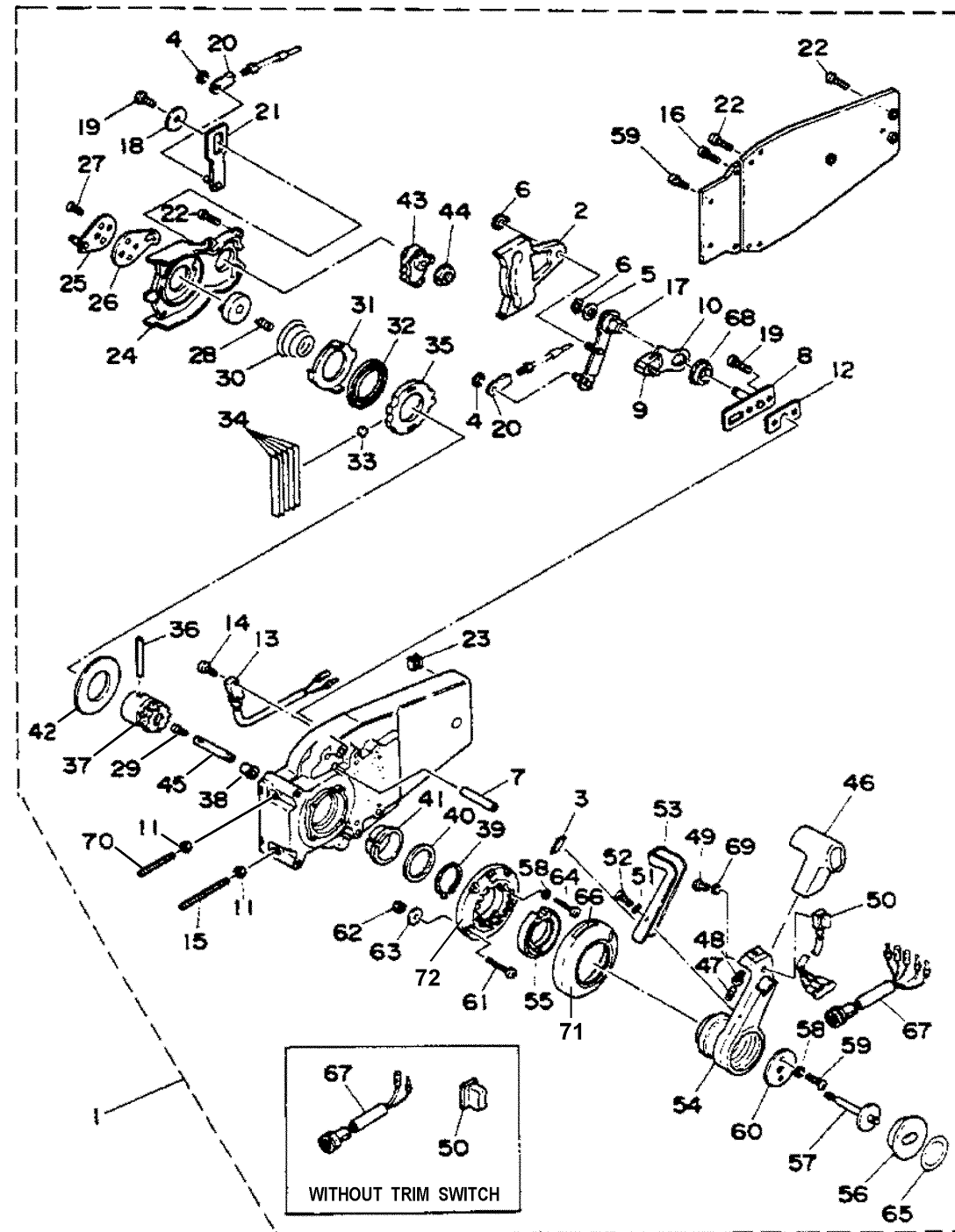
CONTINUED ON NEXT FRAME >

Revised : 04-02-2012

rigging\_parts\_0406

C12

# CONTROL FLUSH STANDARD



Ref No.	Part Number	Description	Qty	Remarks
41	EL8-48234-00-00	. .BUSHING 1	1	
42	703-48192-00-00	. .WASHER 2	1	
43	EL8-48233-00-00	. .GEAR 2	1	
44	702-48235-00-00	. .BUSHING	1	
45	6X0-48153-00-00	. .SHAFT, FREE ACCEL.	1	
46	6X0-48222-00-00	. .GRIP, CONTROL LEVER	1	
47	703-48227-00-00	. .SPRING, NEUTRAL LOCK	1	
48	98580-05008-00	. .SCREW, PAN HEAD	1	
49	98580-04010-00	. .SCREW, PAN HEAD	1	
50	6X0-82563-01-00	. .TRIM SWITCH ASSY	1	
51	6X0-48288-00-00	. .WASHER, PLAIN	1	
52	6X0-48127-00-00	. .SCREW 1	1	
53	6X0-48223-00-00	. .LOCK, NEUTRAL	1	
54	6X0-48221-00-00	. .LEVER, CONTROL	1	
55	6X0-48245-00-00	. .PLATE, LOCK	1	
56	704-48225-00-00	. .COVER	1	
57	6X0-48155-00-00	. .PLUNGER	1	
58	92990-05300-00	. .WASHER, INTERNAL TOOTH	6	
59	6X0-48281-00-00	. .SCREW	6	
60	6X0-48193-00-00	. .WASHER 3	1	

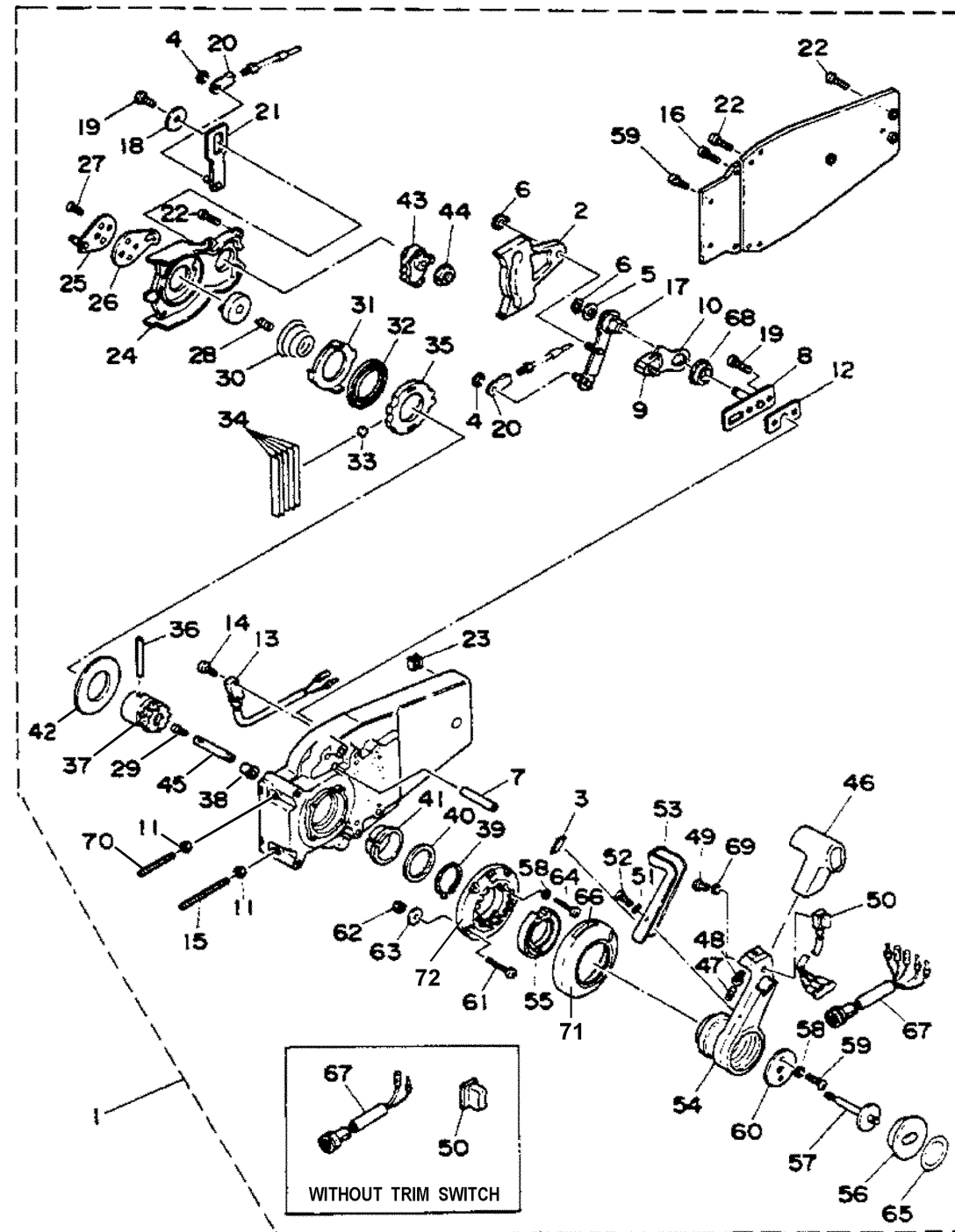
CONTINUED ON NEXT FRAME >

Revised : 04-02-2012

rigging\_parts\_0406

D1

# CONTROL FLUSH STANDARD



Ref No.	Part Number	Description	Qty	Remarks
61	6X0-48128-00-00	. .SCREW(M6X30)	3	
61	97885-06035-00	. .SCREW, PAN HEAD	3	
62	6X0-48156-00-00	. .NUT 1	3	
63	701-48287-00-00	. .WASHER	3	
64	6X0-4812900-00	. .SCREW 3	4	
65	6X0-48215-00-00	. .GRAPHIC	1	
66	6E0-44191-11-00	. .INDICATOR, SHIFT	1	
67	704-82541-10-00	. .WIRE, LEAD	1	
68	6X0-48116-00-00	. .BUSHING	1	
69	92990-04300-00	. .WASHER	1	
70	EL8-48281-00-00	. .SCREW	1	
71	6X0-48225-00-00	. .COVER	1	
72	6X0-48111-00-00	BODY, REMOTE CONTROL 1	1	

Revised : 04-02-2012

rigging\_parts\_0406

D2