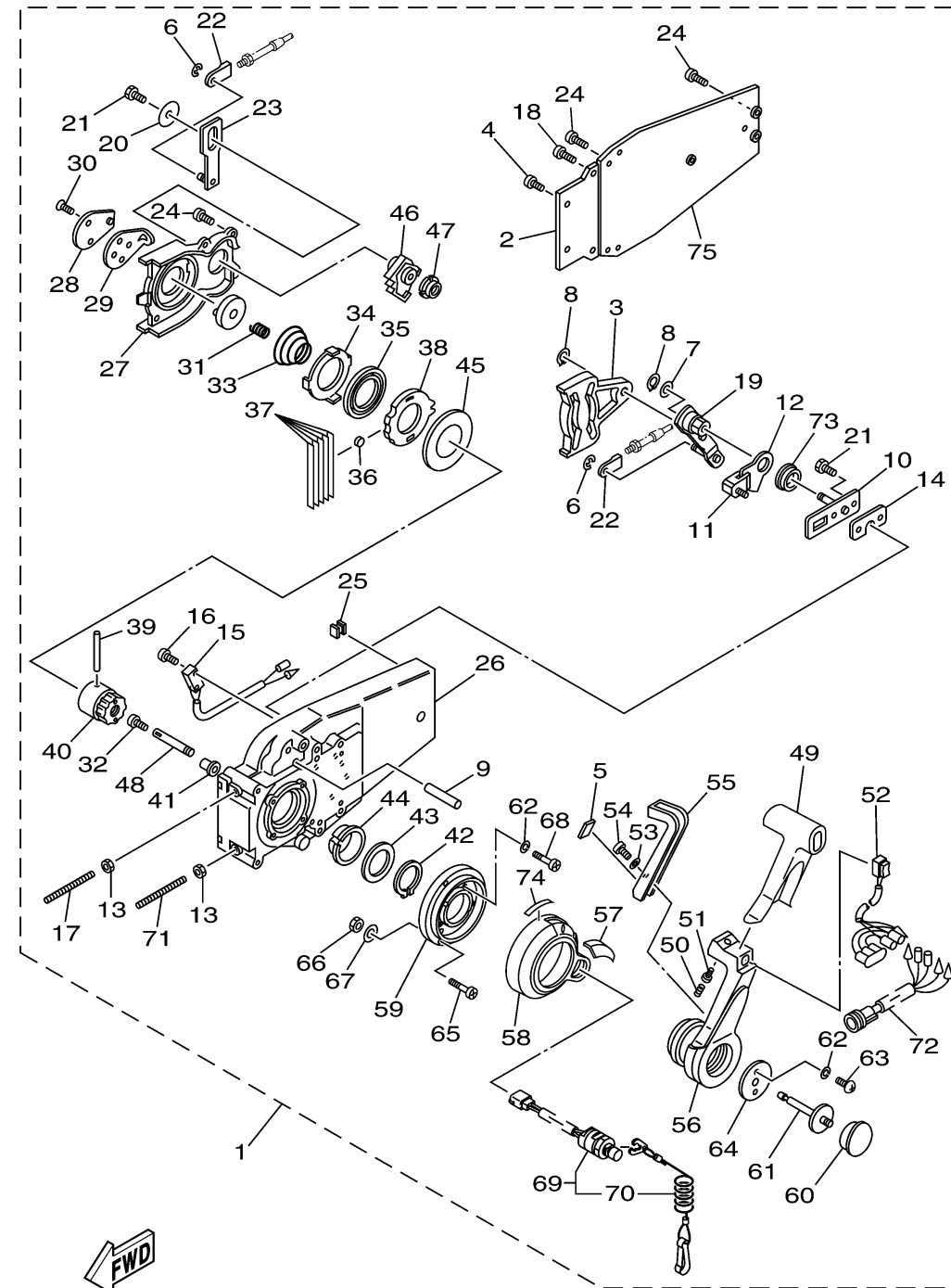


CONTROL SIDE FLUSH PREMIUM

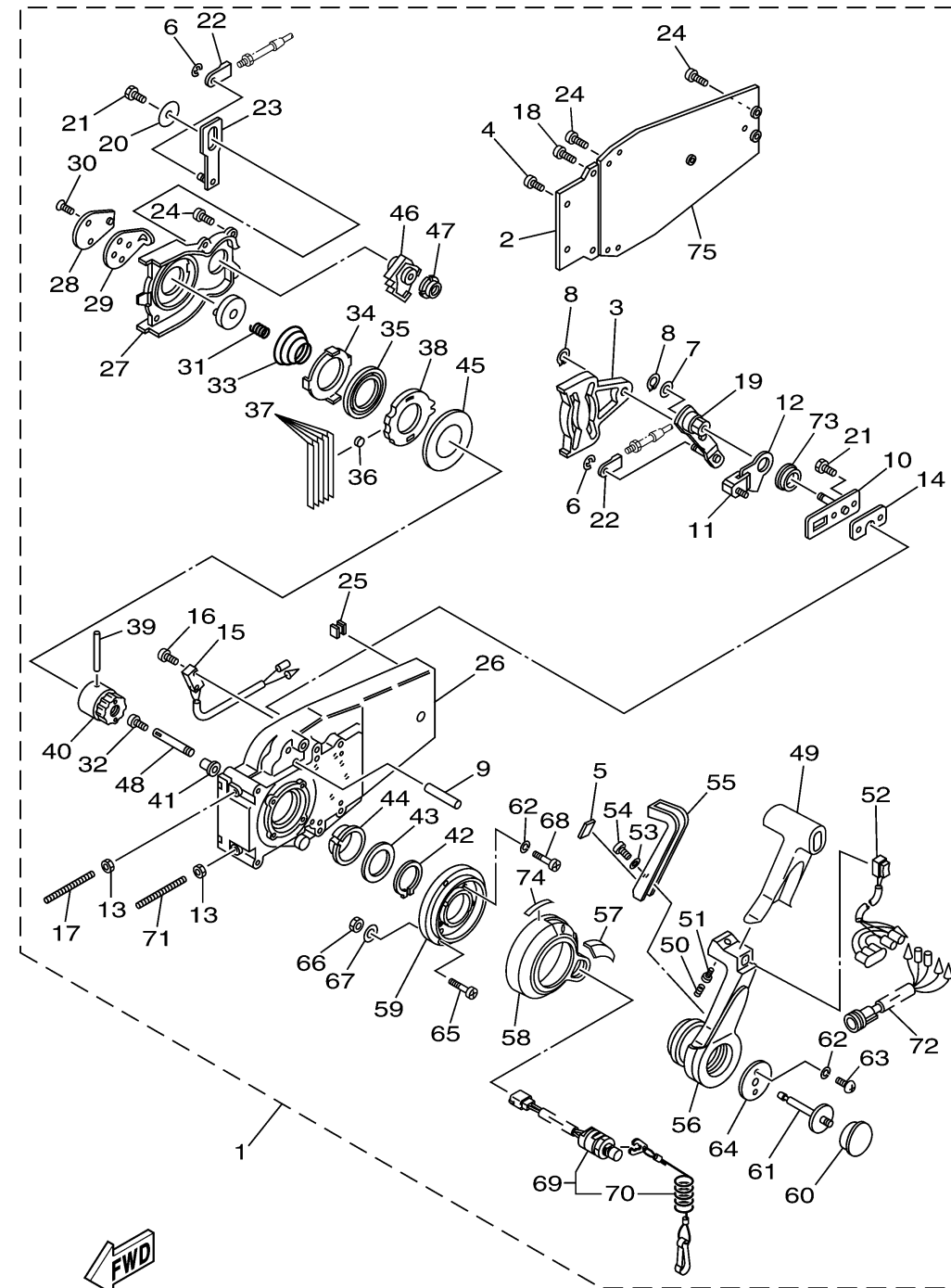


6011100-G121

| Ref No. | Part Number | Description | Qty | Remarks |
|---------|-----------------|-----------------------|-----|------------------|
| 1 | 6X3-48206-01-00 | REMOTE CONTROL ASSY | 1 | WITH PT/T SWITCH |
| 2 | EL8-48212-00-00 | ..BACK PLATE 1 | 1 | |
| 3 | EL8-48251-00-00 | ..PLATE, CAM | 1 | |
| 4 | 97890-05016-00 | ..SCREW, PAN HEAD | 2 | |
| 5 | 6X0-48138-00-00 | ..CAP, LOCK ARM | 1 | |
| 6 | 93440-06024-00 | ..CIRCLIP | 3 | |
| 7 | 92990-10600-00 | ..WASHER, PLATE | 1 | |
| 8 | EL8-48259-00-00 | ..CIRCLIP 1 | 2 | |
| 9 | 6X0-48265-00-00 | ..SHAFT, FRICTION | 1 | |
| 10 | 6X0-48262-00-00 | ..SHAFT, THROTTLE | 1 | |
| 11 | 6X0-48264-00-00 | ..THROTTLE, FRICTION | 1 | |
| 12 | 6X0-48187-00-00 | ..PLATE, ADJUST | 1 | |
| 13 | 95380-06600-00 | ..NUT, HEXAGON | 2 | |
| 14 | 704-48266-00-00 | ..SPACER | 1 | |
| 15 | 704-82540-00-00 | ..NEUTRAL SWITCH ASSY | 1 | |
| 16 | 98580-03015-00 | ..SCREW, PAN HEAD | 2 | |
| 17 | EL8-48281-00-00 | ..SCREW | 1 | |
| 18 | 97890-05025-00 | ..SCREW, PAN HEAD | 2 | |
| 19 | 6X0-48261-00-00 | ..ARM, THROTTLE | 1 | |
| 20 | EL8-48191-00-00 | ..WASHER 1 | 1 | |

CONTINUED ON NEXT FRAME >

CONTROL SIDE FLUSH PREMIUM

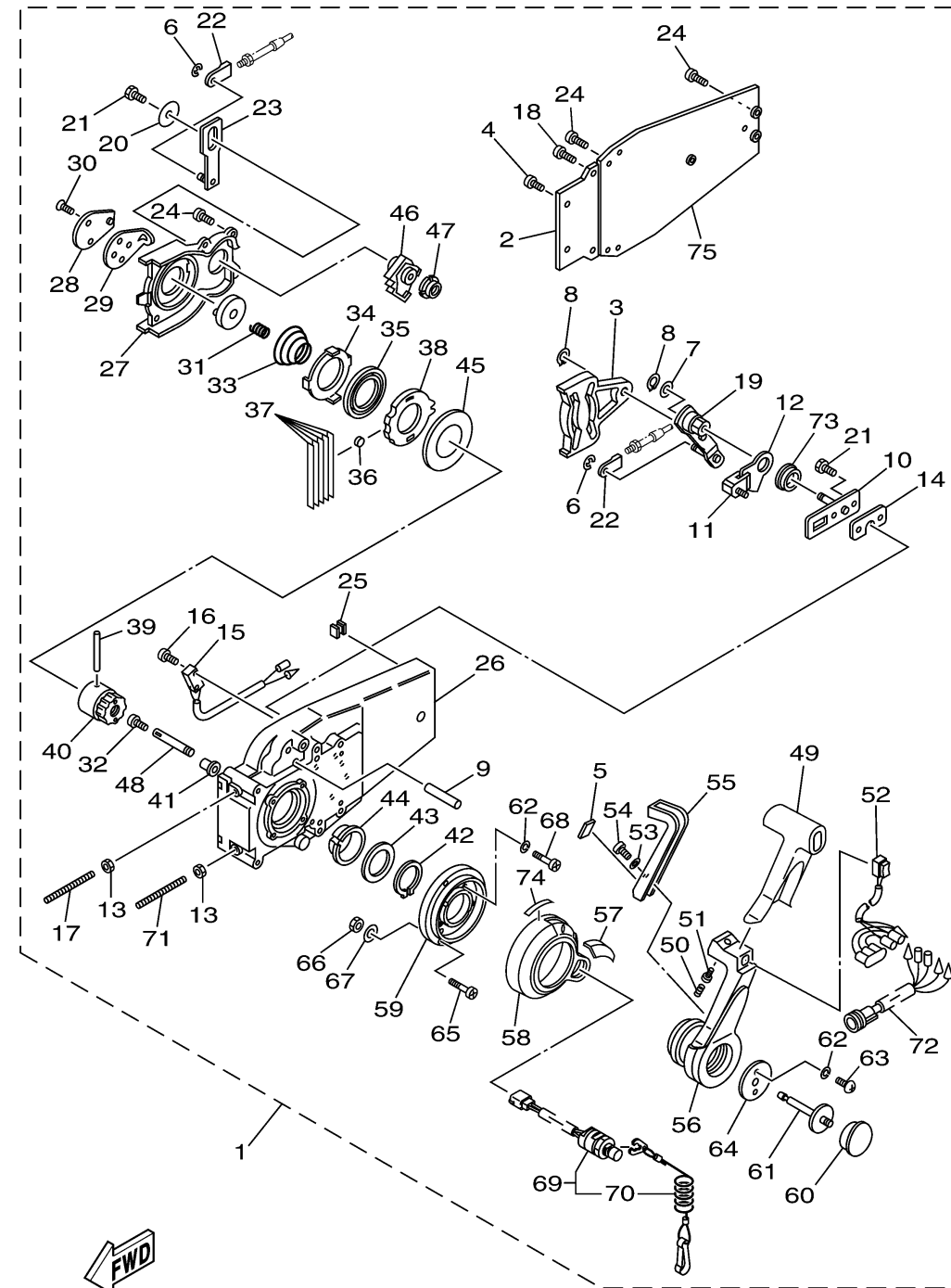


6011100-G121

| Ref No. | Part Number | Description | Qty | Remarks |
|---------|-----------------|-------------------------------|-----|---------|
| 21 | 97380-06018-00 | ..BOLT | 3 | |
| 22 | 703-48345-01-00 | ..CABLE END, REMOTE CONTROL 2 | 2 | |
| 23 | EL8-48271-00-00 | ..ARM, SHIFT | 1 | |
| 24 | EL8-48127-00-00 | ..SCREW 1 | 11 | |
| 25 | 703-48358-00-00 | ..ANCHOR, CABLE | 1 | |
| 26 | 6X0-48211-00-00 | ..HOUSING,1 | 1 | |
| 27 | EL8-48231-00-00 | ..HOUSING, GEAR | 1 | |
| 28 | EL8-48241-00-00 | ..ARM, DRIVE | 1 | |
| 29 | EL8-48254-00-00 | ..STOPPER, THROTTLE ADJUSTING | 1 | |
| 30 | 92780-06020-00 | ..SCREW, FLAT HEAD | 2 | |
| 31 | EL8-48158-00-00 | ..SPRING 1 | 1 | |
| 32 | 98580-04006-00 | ..SCREW, PAN HEAD | 1 | |
| 33 | EL8-48244-00-00 | ..SPRING, FREE ACCEL. | 1 | |
| 34 | EL8-48245-00-00 | ..PLATE, LOCK | 1 | |
| 35 | 704-48178-00-00 | ..PLATE, SHIFT | 1 | |
| 36 | 701-48248-00-00 | ..ROLLER, FREE ACCEL. | 1 | |
| 37 | 704-48238-00-00 | ..SPRING, DETENT | 5 | |
| 38 | 6X0-48121-00-00 | ..GEAR 1 | 1 | |
| 39 | EL8-48164-00-00 | ..PIN 2 | 1 | |
| 40 | EL8-48242-10-00 | ..SHAFT, DRIVE | 1 | |

CONTINUED ON NEXT FRAME >

CONTROL SIDE FLUSH PREMIUM

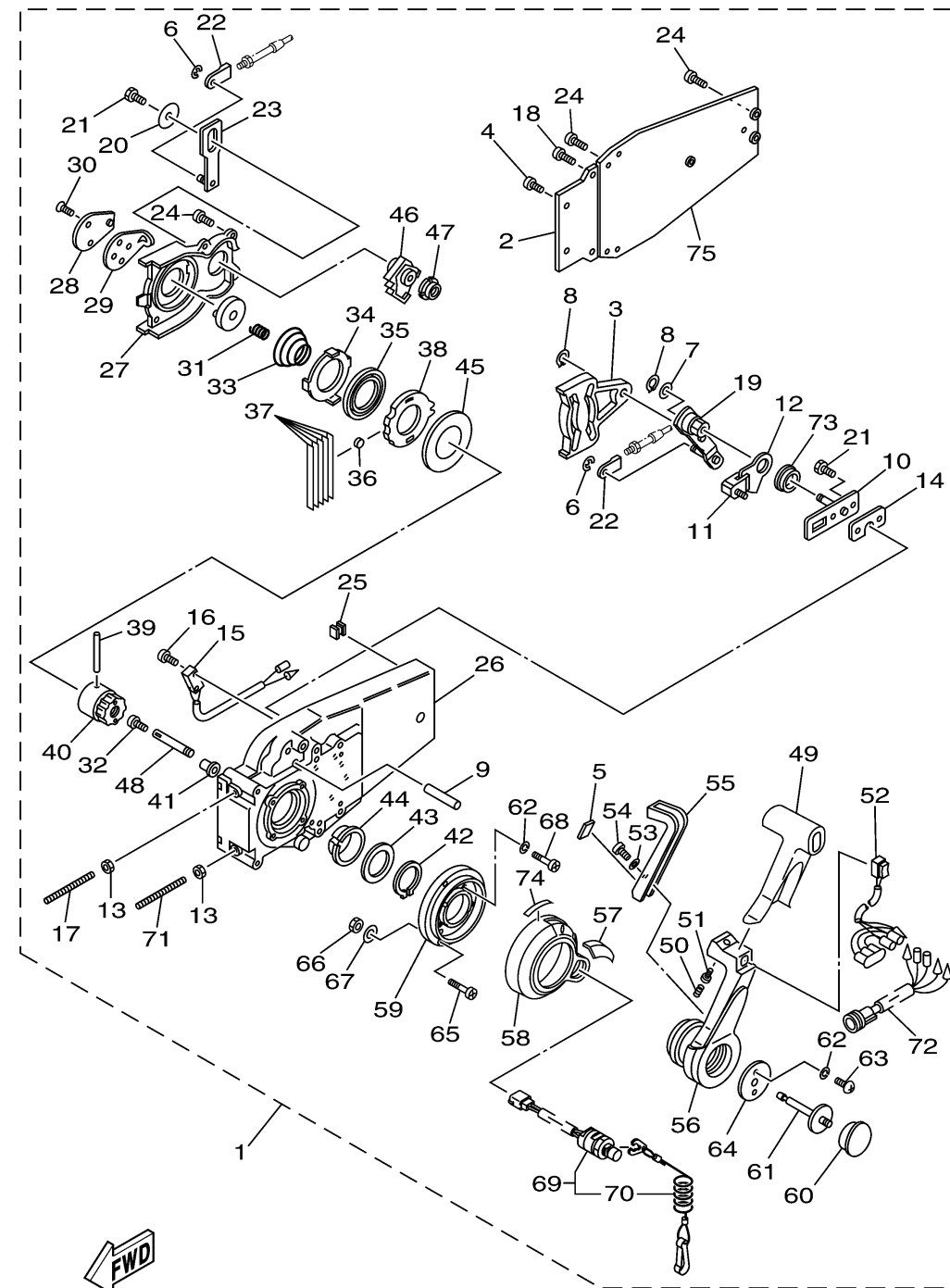


6011100-G121

| Ref No. | Part Number | Description | Qty | Remarks |
|---------|-----------------|---------------------------|-----|---------|
| 41 | 702-48263-00-00 | ..BUSHING | 1 | |
| 42 | EL8-48279-00-00 | ..CIRCLIP 2 | 1 | |
| 43 | 704-48193-00-00 | ..WASHER 3 | 1 | |
| 44 | EL8-48234-00-00 | ..BUSHING 1 | 1 | |
| 45 | 703-48192-00-00 | ..WASHER 2 | 1 | |
| 46 | EL8-48233-00-00 | ..GEAR 2 | 1 | |
| 47 | 702-48235-00-00 | ..BUSHING | 1 | |
| 48 | 6X0-48153-00-00 | ..SHAFT, FREE ACCEL. | 1 | |
| 49 | 6X3-48222-00-00 | ..GRIP, CONTROL LEVER | 1 | |
| 50 | 703-48227-00-00 | ...SPRING, NEUTRAL LOCK | 1 | |
| 51 | 98580-05008-00 | ..SCREW, PAN HEAD | 1 | |
| 52 | 6X3-82563-01-00 | ..TRIM & TILT SWITCH ASSY | 1 | |
| 53 | 6X0-48288-00-00 | ..WASHER, PLAIN | 1 | |
| 54 | 6X0-48127-00-00 | ..SCREW 1 | 1 | |
| 55 | 6X0-48223-00-00 | ..LOCK, NEUTRAL | 1 | |
| 56 | 6X3-48221-00-00 | ..LEVER, CONTROL | 1 | |
| 57 | 6X3-48225-10-00 | ..COVER | 1 | |
| 58 | 6X3-48225-00-00 | ..COVER | 1 | |
| 59 | 6X3-48111-00-00 | ..BODY, REMOTE CONTROL 1 | 1 | |
| 60 | 6X3-48225-20-00 | ..COVER | 1 | |

CONTINUED ON NEXT FRAME >

CONTROL SIDE FLUSH PREMIUM



6011100-G121

| Ref No. | Part Number | Description | Qty | Remarks |
|---------|-----------------|---------------------------|-----|---------|
| 61 | 6X0-48155-00-00 | ..PLUNGER | 1 | |
| 62 | 92990-05300-00 | .. WASHER, INTERNAL TOOTH | 6 | |
| 63 | 6X0-48281-00-00 | ..SCREW | 2 | |
| 64 | 6X0-48193-00-00 | ..WASHER 3 | 1 | |
| 65 | 97890-06035-00 | ..SCREW, PAN HEAD | 3 | UR |
| 65 | 6X0-48128-00-00 | ...SCREW(M6X30) | 3 | UR |
| 66 | 6X0-48156-00-00 | ...NUT 1 | 3 | |
| 67 | 701-48287-00-00 | ..WASHER | 3 | |
| 68 | 6X3-48129-00-00 | ..SCREW 3 | 4 | |
| 69 | 6X3-82575-00-00 | ..ENGINE STOP SWITCH ASSY | 1 | |
| 70 | 682-82556-00-00 | ...LANYARD, STOP SWITCH | 1 | |
| 71 | 704-48281-00-00 | ..SCREW | 1 | |
| 72 | 704-82541-10-00 | ..WIRE, LEAD | 1 | |
| 73 | 6X0-48116-00-00 | ..BUSHING | 1 | |
| 74 | 6X3-44191-00-00 | ..INDICATOR, SHIFT | 1 | |
| 75 | EL8-48213-00-00 | ..BACK PLATE 2 | 2 | |