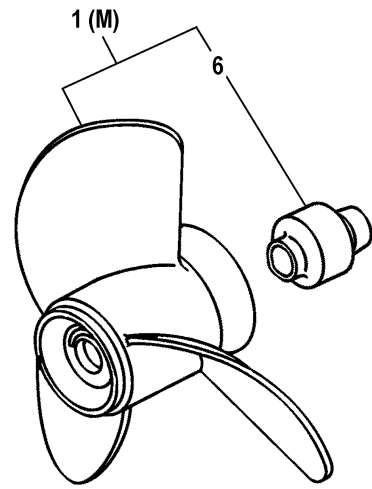
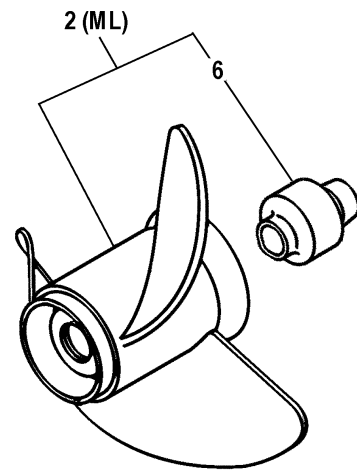


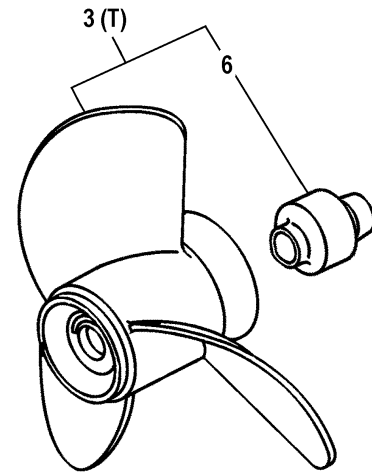
# PROPELLERS 150 THROUGH 300



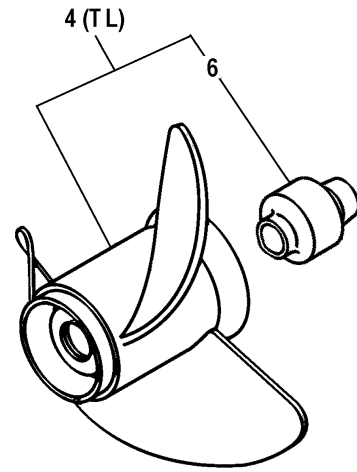
F150 ~ F250 & (V)150 ~ Z300 HP



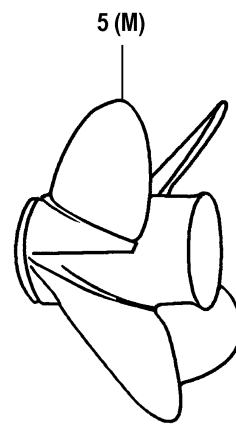
LF150 ~ LF250 & LZ200, LZ300 HP



F200 ~ F250 & VZ200 ~ (V) Z300 HP



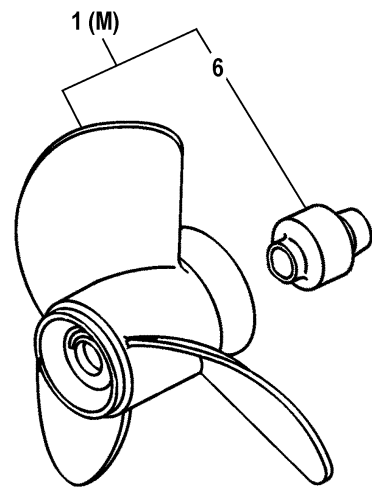
LF200 ~ LF250 & LZ300 HP



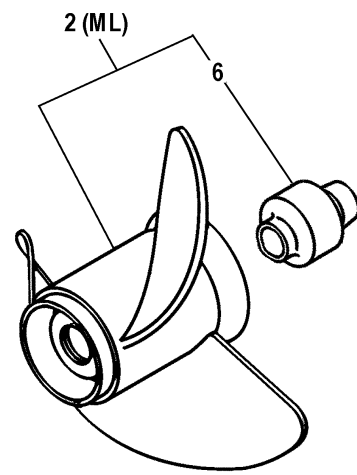
F150 ~ F250 & (V)150 ~ Z300 HP

Ref No.	Part Number	Description	Qty	Remarks
1	6G5-45941-00-98	PROPELLER (3X15-1/4"X15"-M)	1	UR ALUMINUM
1	68F-45976-00-00	PROPELLER (3X13-3/4"X21"-M)	1	UR
1	6G5-45949-00-98	PROPELLER (3X13-1/2"X23"-M)	1	UR ALUMINUM
1	6G5-45972-02-98	PROPELLER (3X13-3/4"X21"-M)	1	UR
1	6G5-45976-01-98	PROPELLER (3X13-3/8"X23"-M)	1	UR
1	6G5-45952-00-98	PROPELLER (3X14-5/8"X16"-M)	1	UR ALUMINUM
1	6G5-45947-01-98	PROPELLER (3X14-1/2"X17"-M)	1	UR ALUMINUM
1	6G5-45970-02-98	PROPELLER (3X15-1/4"X15"-M)	1	UR
1	6G5-45932-00-98	PROPELLER (3X15-3/4"X13"-M)	1	UR
1	6G5-45974-03-98	PROPELLER (3X13-3/4"X19"-M2)	1	UR
1	6G5-45978-03-98	PROPELLER (3X13-3/4"X17"-M2)	1	UR
1	6G5-45943-01-98	PROPELLER (3X13-3/4"X21"-M)	1	UR ALUMINUM
1	6R4-45976-A0-00	PROPELLER (3X14-1/2"X15"-M)	1	UR
1	6R4-45978-A0-00	PROPELLER (3X15-1/4"X17"-M)	1	UR
1	6R4-45970-A0-00	PROPELLER (3 X15-1/4" X19"R-M)	1	UR
1	6R4-45972-A0-00	PROPELLER (3X14-7/8"X21"-M)	1	UR
1	6R4-45974-A0-00	PROPELLER (3X14-1/2"X23"-M)	1	UR
1	66K-45972-B0-00	PROPELLER (3X14-1/2"X25")	1	UR
1	66K-45970-B0-00	PROPELLER (3X14-1/2"X27")	1	UR
1	6J9-45976-10-00	PROPELLER (3X14-1/2"X21"-M1)	1	UR

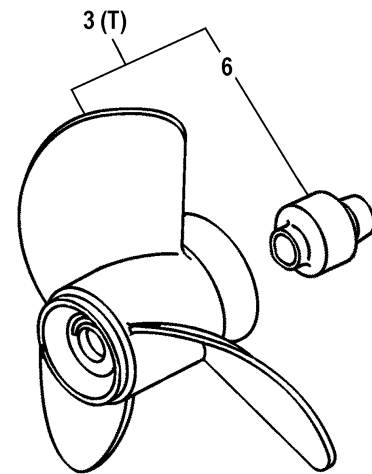
CONTINUED ON NEXT FRAME >



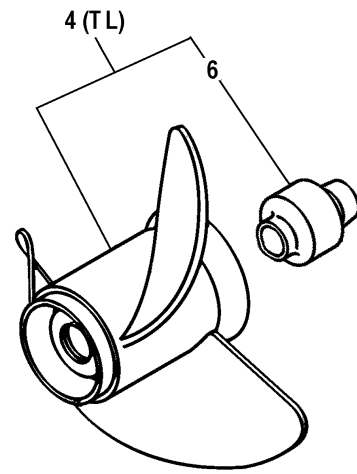
F150 ~ F250 & (V)150 ~ Z300 HP



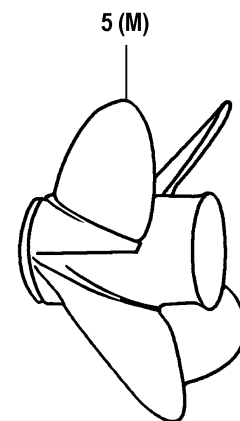
LF150 ~ LF250 & LZ200, LZ300 HP



F200 ~ F250 & VZ200 ~ (V) Z300 HP



LF200 ~ LF250 & LZ300 HP

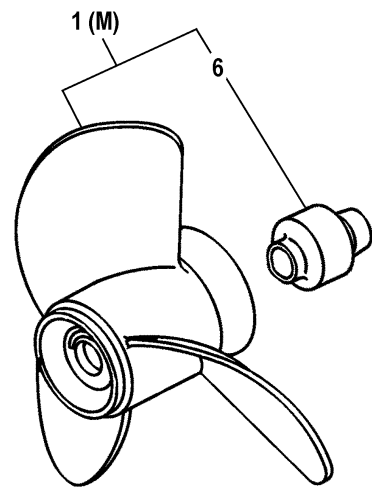


F150 ~ F250 & (V)150 ~ Z300 HP

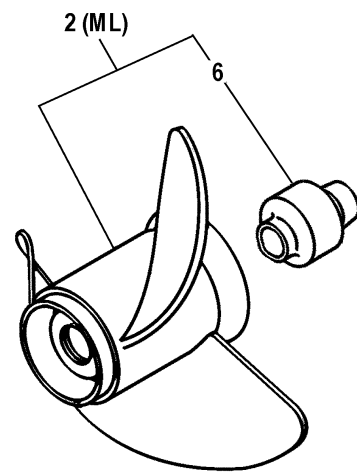
## PROPELLERS 150 THROUGH 300

Ref No.	Part Number	Description	Qty	Remarks
1	66K-45974-B0-00	PROPELLER (3X 14-1/2"X23")	1	UR
1	MAR-GYT3B-V6-16	PROPELLER, 3 BLADE (13-1/4" X 16"-M)	1	NOT RECOMMENDED FOR OVER 200 HP
1	MAR-GYT3B-V6-18	PROPELLER, 3 BLADE (13-1/4" X 18"-M)	1	NOT RECOMMENDED FOR OVER 200 HP
1	MAR-GYT3B-V6-20	PROPELLER, 3 BLADE (13-1/4" X 20"-M)	1	NOT RECOMMENDED FOR OVER 200 HP
1	MAR-GYT3B-V6-22	PROPELLER, 3 BLADE (13-1/4" X 22"-M)	1	NOT RECOMMENDED FOR OVER 200 HP
1	MAR-GYT3B-V6-24	PROPELLER, 3 BLADE (13-1/3" X 24"-M)	1	NOT RECOMMENDED FOR OVER 200 HP
1	MAR-GYT3B-V6-26	PROPELLER, 3 BLADE (13-1/4" X 26"-M)	1	NOT RECOMMENDED FOR OVER 200 HP
1	MAR-GYT3B-V6-14	PROPELLER, 3 BLADE (13-1/4" X 14"-M)	1	NOT RECOMMENDED FOR OVER 200 HP
1	68F-45970-00-00	PROPELLER (3X14-1/2"X15"-M)	1	UR
1	68F-45972-00-00	PROPELLER (3X14-1/4"X17"-M)	1	UR
1	68F-45974-00-00	PROPELLER (3X13-3/4"X19"-M)	1	UR
1	6G5-45945-01-98	PROPELLER (3X14"X19"-M)	1	UR ALUMINUM
2	6K1-45972-01-98	PROPELLER (3X13-3/4"X21"-ML)	1	UR
2	6K1-45970-01-98	PROPELLER (3X15-1/4"X15"-ML)	1	UR
2	6K1-45974-02-98	PROPELLER (3X13-3/4"X19"-ML1)	1	UR
2	6K1-45978-02-98	PROPELLER (3X13-3/4"X17"-ML1)	1	UR
2	6K1-45947-00-98	PROPELLER (3X14-1/2"X17"-ML)	1	UR ALUMINUM
2	6K1-45945-00-98	PROPELLER (3X14"X19"-ML)	1	UR ALUMINUM
2	6R1-45976-A0-00	PROPELLER (3X15-1/4"X15"-ML)	1	UR
2	6R1-45978-A0-00	PROPELLER (3X15-1/4"X17"-ML)	1	UR

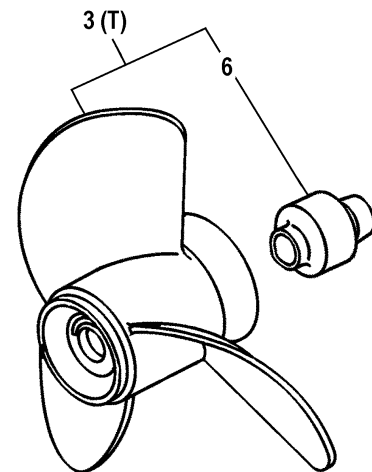
CONTINUED ON NEXT FRAME >



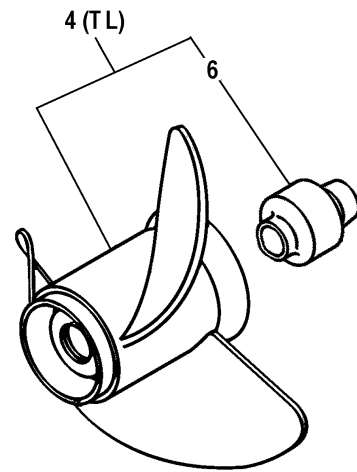
F150 ~ F250 & (V)150 ~ Z300 HP



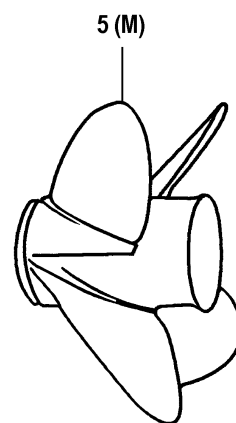
LF150 ~ LF250 & LZ200, LZ300 HP



F200 ~ F250 & VZ200 ~ (V) Z300 HP



LF200 ~ LF250 & LZ300 HP



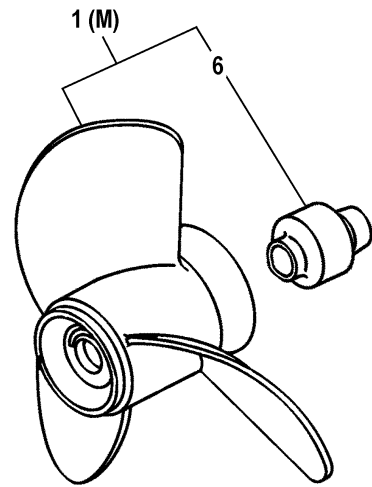
F150 ~ F250 & (V)150 ~ Z300 HP

## PROPELLERS 150 THROUGH 300

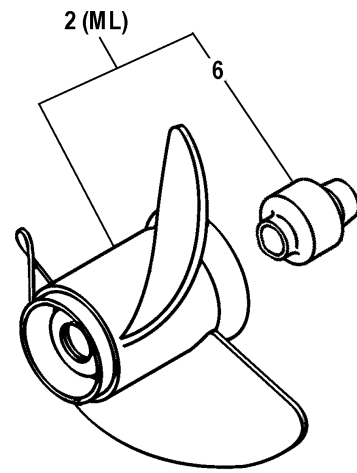
Ref No.	Part Number	Description	Qty	Remarks
2	6R1-45970-A0-00	PROPELLER, SS (3 X 15-1/4" X 19"-ML)	1	UR
2	6R1-45972-A0-00	PROPELLER (3X14-7/8"X21"-ML)	1	UR
2	6R1-45974-A0-00	PROPELLER (3X14-1/2"X23"-ML)	1	UR
2	6K1-45976-00-98	PROPELLER (3X13-3/8"X23"-ML)	1	UR
2	MAR-GYT3B-L6-18	PROPELLER, 3 BLADE L (14-1/4" X 18" V6-ML)	1	NOT RECOMMENDED FOR OVER 200 HP
2	MAR-GYT3B-L6-20	PROPELLER, 3 BLADE L (14-1/4" X 20" V6-ML)	1	NOT RECOMMENDED FOR OVER 200 HP
2	MAR-GYT3B-L6-22	PROPELLER, 3 BLADE L (14-1/4" X 22" V6-ML)	1	NOT RECOMMENDED FOR OVER 200 HP
2	MAR-GYT3B-L6-14	PROPELLER, 3 BLADE L (14-1/4" X 14" V6-ML)	1	NOT RECOMMENDED FOR OVER 200 HP
2	MAR-GYT3B-L6-16	PROPELLER, 3 BLADE L (14-1/4" X 16" V6-ML)	1	NOT RECOMMENDED FOR OVER 200 HP
2	68G-45972-00-00	PROPELLER (3X14-1/4"X17"-ML)	1	UR
2	68G-45974-00-00	PROPELLER (3X13-3/4"X19"-ML)	1	UR
2	68G-45976-00-00	PROPELLER (3X13-3/4"X21"-ML)	1	UR
3	61A-45974-00-98	PROPELLER (3X14-1/2"X19"-T)	1	UR
3	61A-45978-00-98	PROPELLER (3X15"X17"-T)	1	UR
3	61A-45972-00-98	PROPELLER (3X14-1/2"X21"-T)	1	UR
3	69L-45974-10-00	PROPELLER, VX MAX (14-1/2" X 23"-T)	1	UR
3	69L-45976-10-00	PROPELLER, VX MAX (14-3/4" X 29"-T)	1	UR
3	69L-45970-20-00	PROPELLER (3X15-1/8"X27"-T1)	1	UR
3	MAR-GYT3B-XL-23	PROPELLER (14-5/8" X 23-T)	1	UR VX/VZ200~VZ300
3	6D0-45970-00-00	PROPELLER (3X15-1/4"X19"-T)	1	UR

CONTINUED ON NEXT FRAME >

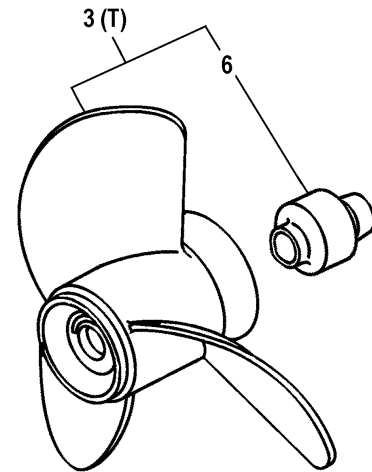
# PROPELLERS 150 THROUGH 300



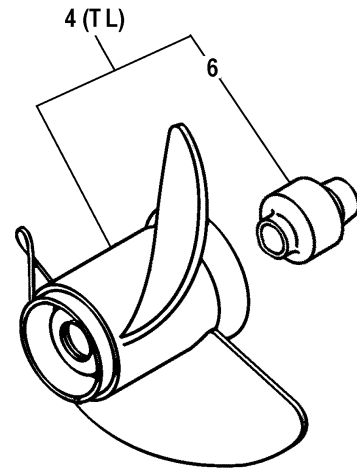
F150 ~ F250 & (V)150 ~ Z300 HP



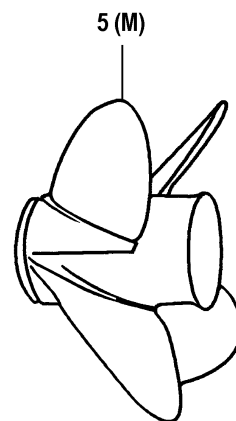
LF150 ~ LF250 & LZ200, LZ300 HP



F200 ~ F250 & VZ200 ~ (V) Z300 HP



LF200 ~ LF250 & LZ300 HP

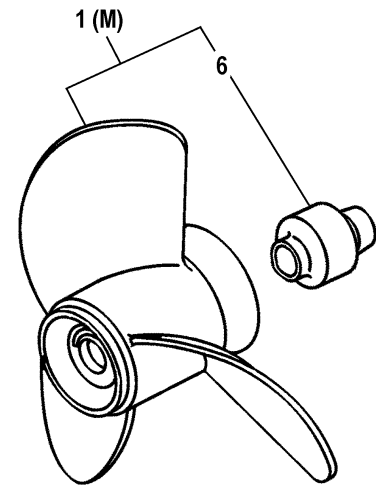


F150 ~ F250 & (V)150 ~ Z300 HP

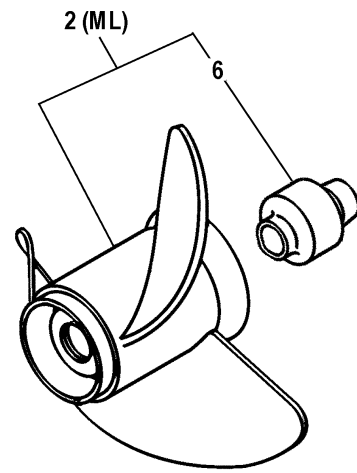
Ref No.	Part Number	Description	Qty	Remarks
3	6D0-45972-00-00	PROPELLER (3X15"X21"-T)	1	UR
3	6D0-45978-00-00	PROPELLER (3X15-1/2"X17"-T)	1	UR
3	MAR-GYT3B-XL-25	PROPELLER (14-5/8" X 25-T)	1	UR VX/VZ200~VZ300
3	MAR-GYT3B-XL-27	PROPELLER (14-5/8" X 27-T)	1	UR VX/VZ200~VZ300
3	6D0-45976-00-00	PROPELLER (3 X 15-34" X 15-T)	1	UR
3	69L-45972-20-00	PROPELLER (3X15-1/8"X25"-T1)	1	UR
4	61B-45974-00-98	PROPELLER (3X14-1/2"X19"-TL)	1	UR
4	61B-45978-00-98	PROPELLER (3X15"X17"-TL)	1	UR
4	6D1-45976-00-00	PROPELLER (3 X 15-34" X 15"-TL)	1	UR
4	6D1-45978-00-00	PROPELLER (3X15-1/2"X17"-TL)	1	UR
4	6D1-45972-00-00	PROPELLER (3X15"X21"-TL)	1	UR
4	6D1-45970-00-00	PROPELLER (3X15-1/4"X19"-TL)	1	UR
4	61B-45972-00-98	PROPELLER (3X14-1/2"X21"-TL)	1	UR
5	MAR-GYT4B-V6-24	PROPELLER, 4 BLADE (13-3/4" X 24 V6-M)	1	UR
5	MAR-GYT4B-V6-25	PROPELLER, 4 BLADE (13-3/4" X 25 V6-M)	1	UR
5	MAR-GYT4B-V6-22	PROPELLER, 4 BLADE (13-3/4" X 22 V6-M)	1	UR
5	MAR-GYT4B-V6-23	PROPELLER, 4 BLADE (13-3/4" X 23 V6-M)	1	UR
5	MAR-GYT4B-V6-18	PROPELLER, 4 BLADE (13-3/4" X 18 V6-M)	1	UR
5	MAR-GYT4B-V6-20	PROPELLER, 4 BLADE (13-3/4" X 20 V6-M)	1	UR
5	MAR-GYT4B-V6-26	PROPELLER, 4 BLADE (13-3/4" X 26 V6-M)	1	UR

CONTINUED ON NEXT FRAME >

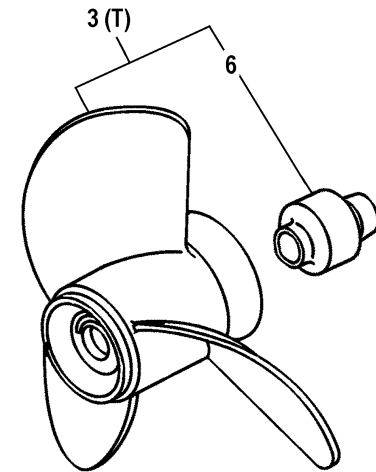
# PROPELLERS 150 THROUGH 300



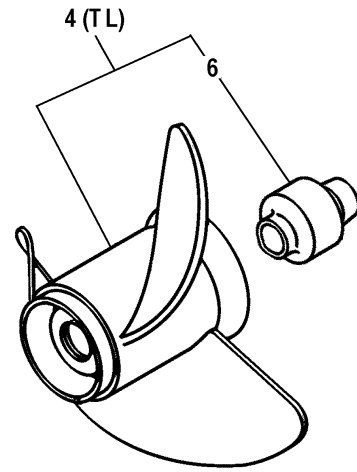
F150 ~ F250 & (V)150 ~ Z300 HP



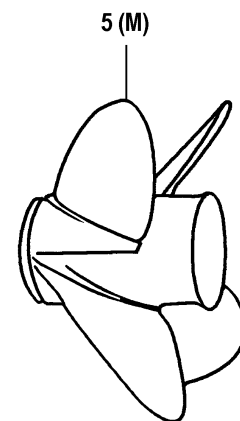
LF150 ~ LF250 & LZ200, LZ300 HP



F200 ~ F250 & VZ200 ~ (V) Z300 HP



LF200 ~ LF250 & LZ300 HP



F150 ~ F250 & (V)150 ~ Z300 HP

Ref No.	Part Number	Description	Qty	Remarks
6	6G5-45981-00-00	. DAMPER RUBBER, PROPELLER	1	UR FOR ALUMINUM 6E5, 688, 6L6, 6G5 & 6K1 PROPS
6	61A-45981-00-00	. DAMPER RUBBER, PROPELLER	1	UR FOR 6D0, 6D1, 68F & 68G
6	61A-45981-00-00	. DAMPER RUBBER, PROPELLER	1	UR FOR 66K, 6R1, 6R4, 61A, 61B, 69L, 6G5 & 6K1