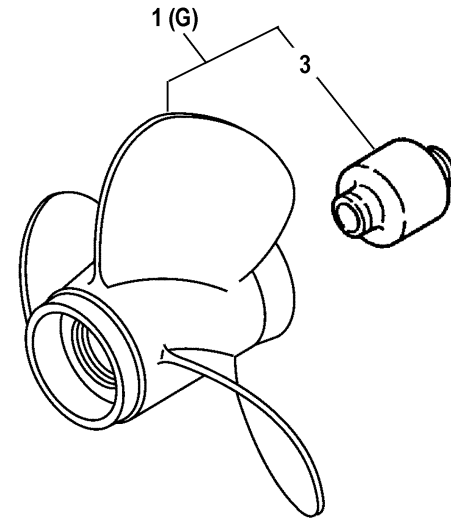
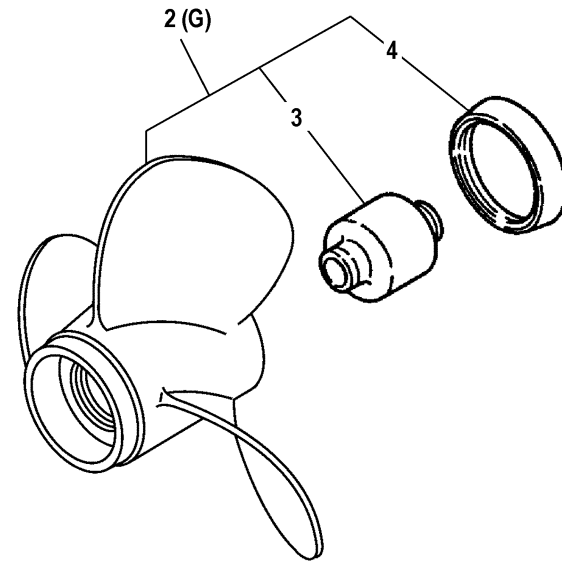


# PROPELLERS T25 THROUGH F60



T25 ~ F60 & 50 HP



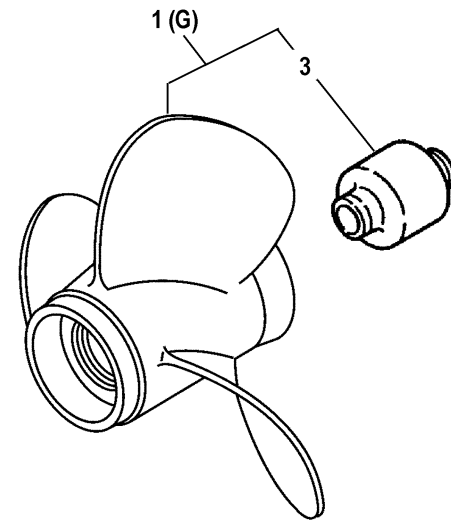
F40 ~ F60 & 50 HP

Ref No.	Part Number	Description	Qty	Remarks
1	663-45941-01-EL	PROPELLER (3X10-3/4"X17"-G)	1	UR ALUMINUM
1	663-45949-01-EL	PROPELLER (3X10-3/4"X16"-G)	1	UR ALUMINUM
1	MAR-GYT3B-03-14	PROPELLER, POLISHED ( 14" X 10"-G)	1	UR
1	MAR-GYT3B-03-12	PROPELLER, POLISHED ( 13" X 10"-G)	1	UR
1	663-45978-60-98	PROPELLER, BLACK SS ( 16" X 10-1/4"-G)	1	UR
1	663-45976-60-98	PROPELLER, BLACK SS ( 15" X 10-1/4"-G)	1	UR
1	663-45930-60-98	PROPELLER, BLACK SS ( 14" X 10-1/4"-G)	1	UR
1	MAR-GYT3B-03-15	PROPELLER, POLISHED ( 15" X 10"-G)	1	UR
1	MAR-GYT3B-03-13	PROPELLER, POLISHED ( 13" X 10"-G)	1	UR
1	68U-45941-00-EL	PROPELLER (3X12-1/4"X9"-G)	1	UR T25 DUAL THRUST ALUMINUM
1	663-45958-01-EL	PROPELLER (3X11-1/4"X14"-G)	1	UR ALUMINUM
1	663-45956-01-EL	PROPELLER (3X12-1/4"X9"-G)	1	UR ALUMINUM
1	663-45970-60-98	PROPELLER (3X11-3/4"X12"-G)	1	UR
1	663-45972-60-98	PROPELLER (3X12"X11"-G)	1	UR
1	663-45974-60-98	PROPELLER (3X11-1/2"X13"-G)	1	UR
2	69W-45943-00-EL	PROPELLER (3X11"X15"-G)	1	UR ALUMINUM
2	6H5-45958-00-EL	PROPELLER (3X10-1/4"X14"-G)	1	UR LIP CUP ALUMINUM
2	6H5-45952-00-EL	PROPELLER (3X10-3/8X13"-G)	1	UR LIP CUP ALUMINUM
2	6H5-45945-00-EL	PROPELLER (3X10-5/8X12"-G)	1	UR LIP CUP ALUMINUM
2	6H5-45943-00-EL	PROPELLER (3X10"X15"-G)	1	UR LIP CUP ALUMINUM

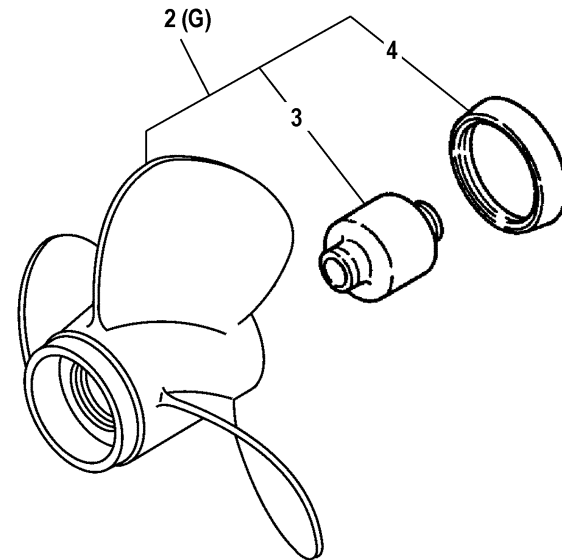
CONTINUED ON NEXT FRAME >

## PROPELLERS T25 THROUGH F60

Ref No.	Part Number	Description	Qty	Remarks
2	69W-45945-00-EL	PROPELLER (3X11-1/8"X13"-G)	1	UR ALUMINUM
2	69W-45952-00-EL	PROPELLER (3X11-3/8"X12"-G)	1	UR ALUMINUM
2	69W-45947-00-EL	PROPELLER (3X11-5/8"X11"-G)	1	UR ALUMINUM
3	663-45981-10-00	. DAMPER, RUBBER PROP	1	
4	663-45986-00-94	. RING, DEFLECTOR	1	UR FOR 69W & 6H5 PROPELLER



T25 ~ F60 & 50 HP



F40 ~ F60 & 50 HP