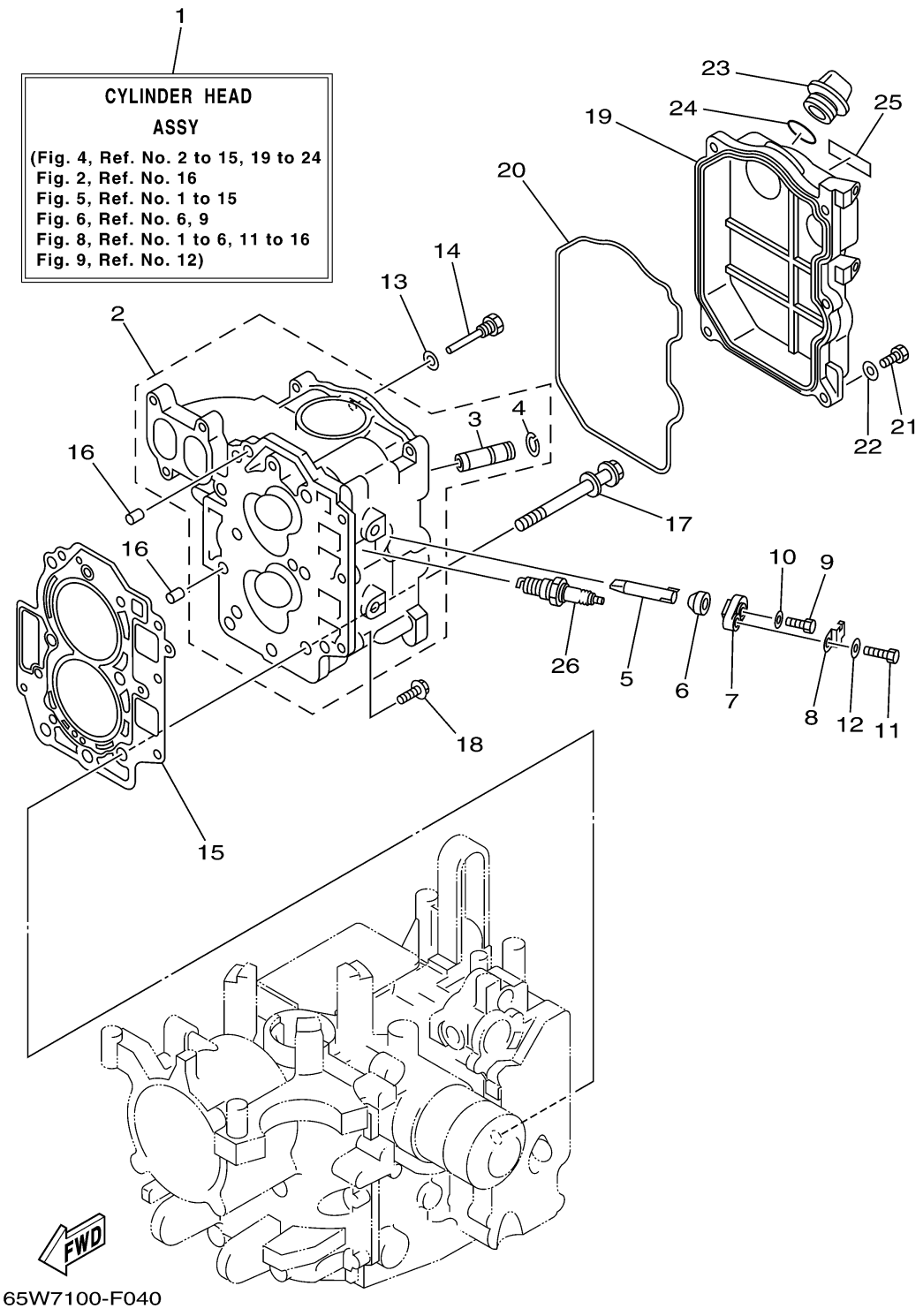


CYLINDER CRANKCASE 2

Ref No.	Part Number	Description	Qty	Remarks
1	65W-W009A-15-1S	CYLINDER HEAD COMPLETE	1	
2	65W-11111-20-1S	HEAD, CYLINDER 1	1	
3	62Y-11133-30-00	. .GUIDE, VALVE 1	4	
4	93450-09M01-00	. .CIRCLIP	4	
5	62Y-11325-00-00	ANODE	2	
6	66M-11328-00-00	GROMMET, ANODE	2	
7	66M-11327-00-94	COVER, ANODE	2	
8	66M-12535-00-00	PLATE	2	
9	97095-05012-00	BOLT	2	
10	92995-05600-00	WASHER	2	
11	97095-06020-00	BOLT	2	
12	92995-06600-00	WASHER	2	
13	90430-06014-00	.GASKET	1	
14	90109-06M65-00	BOLT	1	
15	65W-11181-30-00	.GASKET, CYLINDER HEAD 1	1	
16	99530-08012-00	PIN, DOWEL	2	
17	90119-09M00-00	BOLT, WITH WASHER	6	
18	90119-06MA3-00	BOLT, WITH WASHER	3	
19	65W-11191-00-1S	COVER, CYLINDER HEAD 1	1	
20	65W-11356-00-00	.SEAL, CYLINDER 2	1	

CONTINUED ON NEXT FRAME >



CYLINDER CRANKCASE 2

Ref No.	Part Number	Description	Qty	Remarks
21	97095-06020-00	BOLT	5	
22	92995-06600-00	WASHER	5	
23	6G8-15363-00-00	PLUG, OIL	1	
24	93210-24M79-00	.O-RING	1	
25	62Y-12138-40-00	MARK, CAUTION	1	
26	NGK-DPR6E-A9-00	PLUG, SPARK (NGK DPR6EA-9)	2	