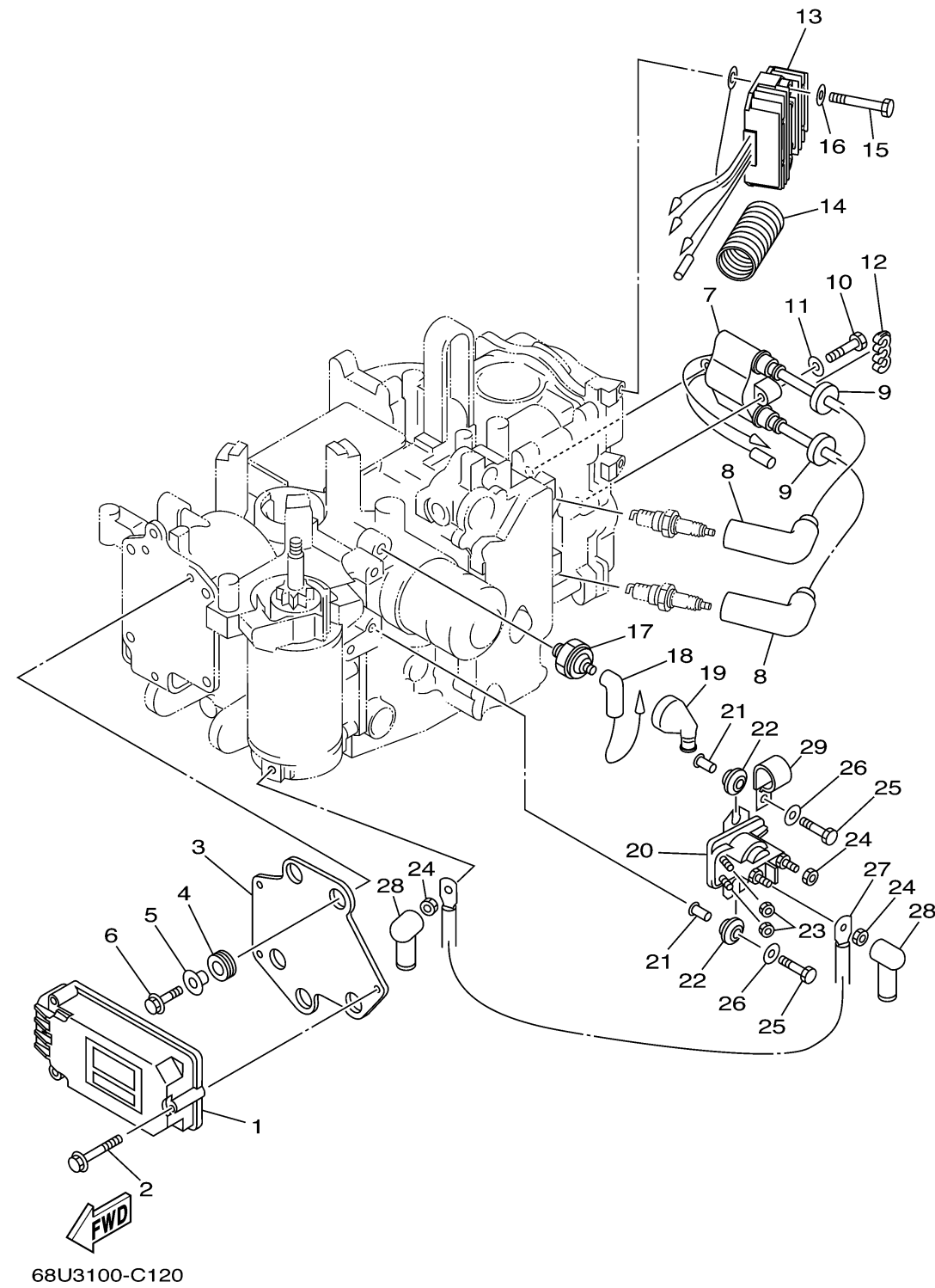


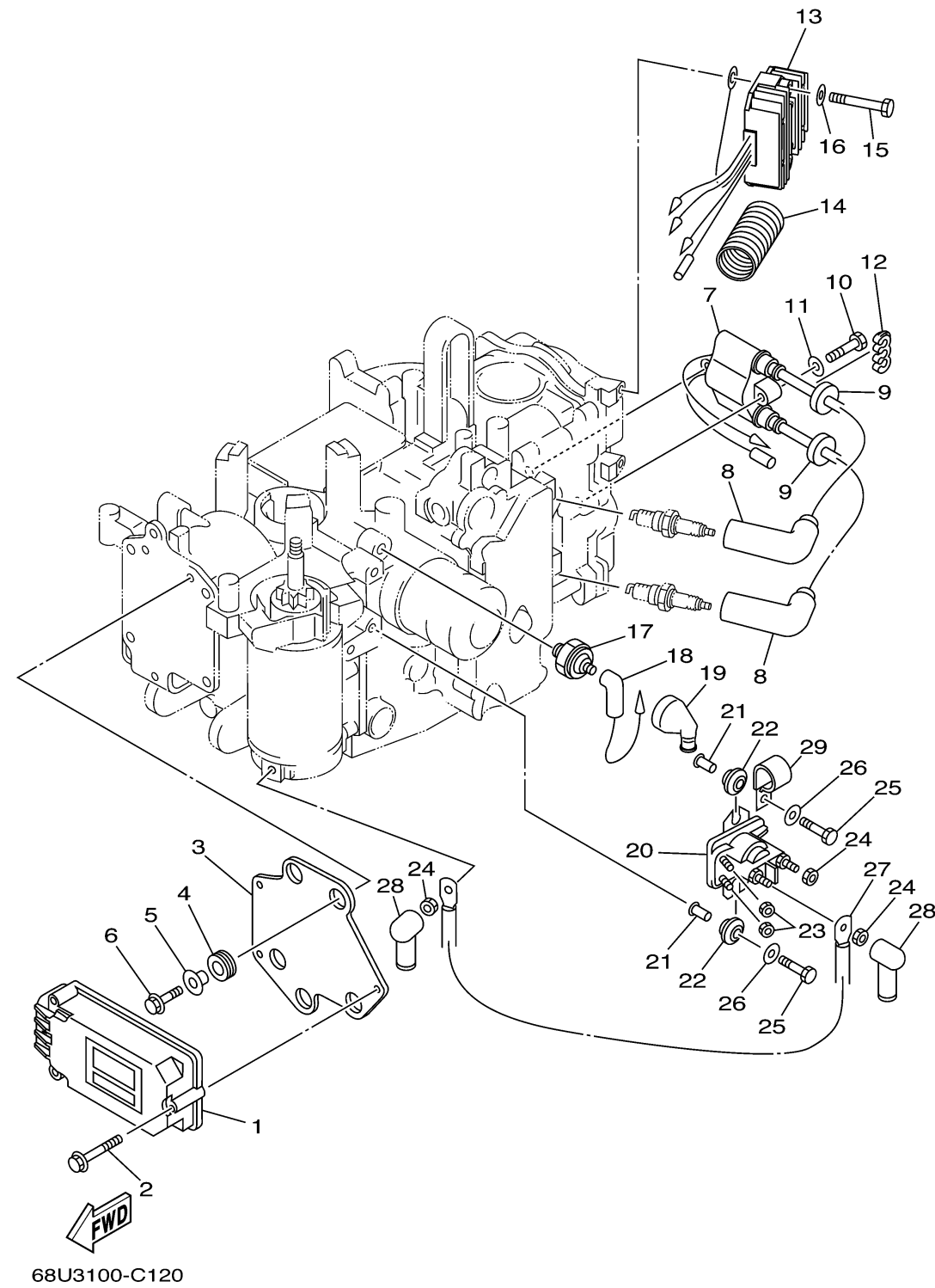
ELECTRICAL 1



Ref No.	Part Number	Description	Qty	Remarks
1	65W-85540-20-00	C.D.I. UNIT ASSY	1	
2	65W-8252V-00-00	SCREW, SPECIAL	3	
3	65W-85542-00-00	BRACKET	1	
4	65W-85547-00-00	DAMPER	3	
5	65W-86129-20-00	COLLAR	3	
6	65W-8252V-10-00	SCREW, SPECIAL	3	
7	65W-85570-01-00	IGNITION COIL ASSY	1	
8	6G8-82370-30-00	PLUG CAP ASSY	2	
9	90480-25161-00	GROMMET	2	
10	97095-06030-00	BOLT	2	
11	92995-06600-00	WASHER	2	
12	90464-07M05-00	CLAMP	1	
13	65W-81960-10-00	RECTIFIER & REGULATOR ASSY	1	
14	6K3-83557-00-00	TUBE	1	
15	97095-06040-00	.BOLT	2	
16	92995-06600-00	WASHER	2	
17	65W-82504-00-00	OIL PRESSURE SWITCH ASSY	1	
18	65W-82127-00-00	WIRE, LEAD 2	1	
19	65W-82532-00-00	CAP	1	
20	65W-81941-01-00	STARTER RELAY ASSY	1	

CONTINUED ON NEXT FRAME >

ELECTRICAL 1



Ref No.	Part Number	Description	Qty	Remarks
21	65W-8191C-00-00	COLLAR	2	
22	65W-81922-00-00	GROMMET	2	
23	65W-8182A-00-00	NUT	2	
24	65W-8182B-00-00	NUT, SPECIAL	3	
25	97095-06025-00	BOLT	2	
26	92995-06600-00	WASHER	2	
27	65W-82117-00-00	WIRE, LEAD	1	
28	6G5-82119-10-00	COVER, LEAD WIRE	2	
29	65W-8339X-00-00	CLAMP, CORD	1	