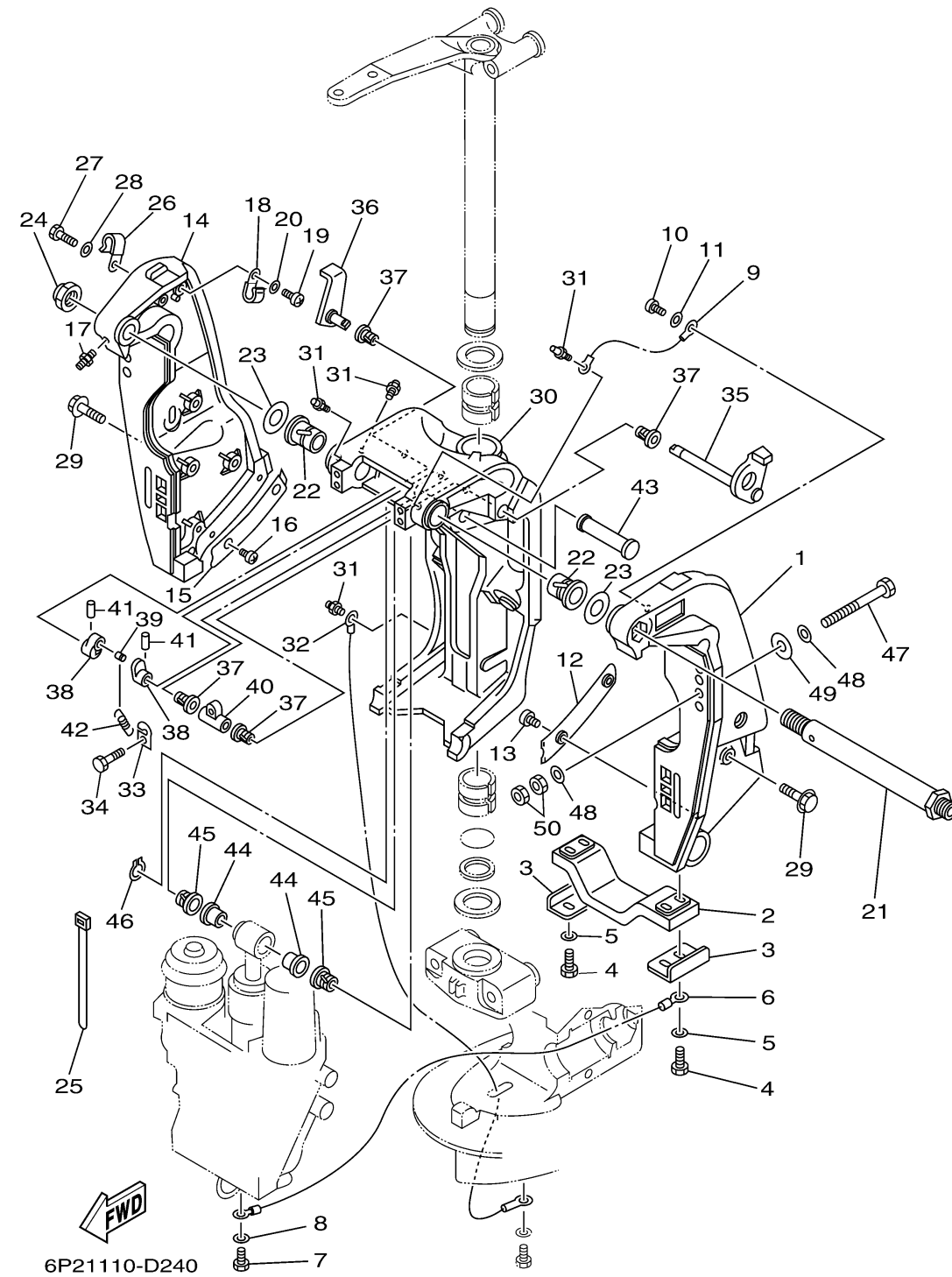
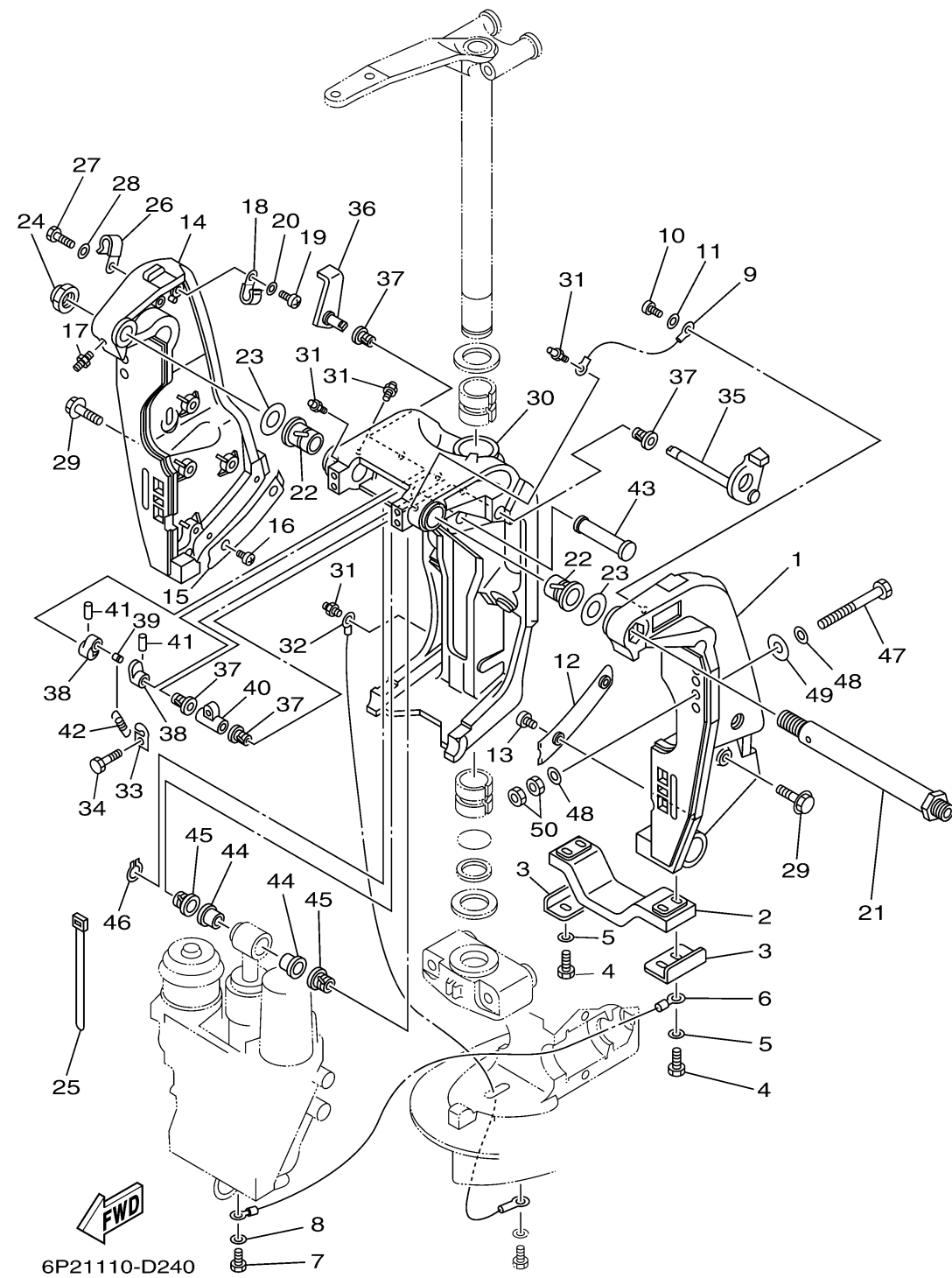


BRACKET 1



Ref No.	Part Number	Description	Qty	Remarks
1	69J-43111-01-8D	BRACKET, CLAMP 1	1	
2	6G5-45251-02-00	ANODE	1	
3	6G5-44526-00-00	PLATE	2	
4	97095-06025-00	BOLT	4	
5	92995-06600-00	WASHER	4	
6	6H1-82148-00-00	WIRE, LEAD 4	1	
7	97095-06010-00	BOLT	1	
8	92995-06600-00	WASHER	1	
9	6E5-82148-00-00	WIRE, LEAD 4	1	
10	97885-06012-00	SCREW, PAN HEAD	1	
11	92995-06600-00	WASHER	1	
12	61A-43132-00-00	WASHER, FRICTION	1	
13	97885-06010-00	SCREW, PAN HEAD	2	
14	69J-43112-01-8D	BRACKET, CLAMP 2	1	
15	61A-43133-00-00	WASHER, FRICTION	1	
16	97885-06010-00	SCREW, PAN HEAD	2	
17	93700-06M03-00	NIPPLE, GREASE	1	
18	90465-08M83-00	CLAMP	1	
19	97885-06012-00	SCREW, PAN HEAD	1	
20	92995-06600-00	WASHER	1	

CONTINUED ON NEXT FRAME >

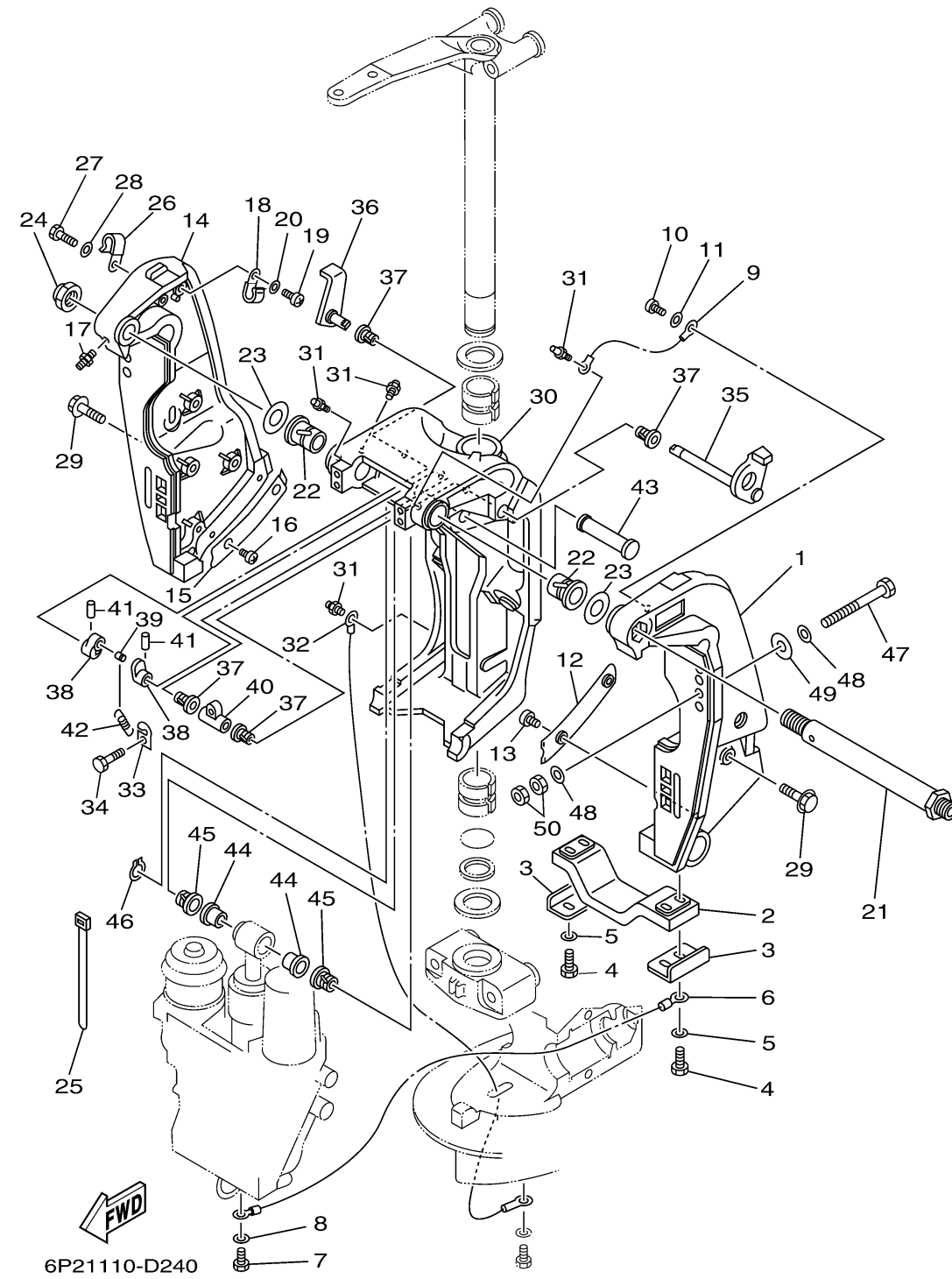


BRACKET 1

Ref No.	Part Number	Description	Qty	Remarks
21	6R3-43131-00-00	BOLT, CLAMP BRACKET	1	
22	90386-25M31-00	BUSH	2	
23	90201-26M59-00	WASHER, PLATE	2	
24	90185-22M11-00	NUT, SELF-LOCKING	1	
25	90465-11M10-00	CLAMP	4	
26	90465-08M83-00	CLAMP	1	
27	97095-06014-00	BOLT	1	
28	92995-06600-00	WASHER	1	
29	90119-10024-00	BOLT, WITH WASHER	8	
30	61A-43311-31-8D	BRACKET, SWIVEL 1	1	U (30.2")
30	61A-43311-21-8D	BRACKET, SWIVEL 1	1	X (25.2")
31	93700-06M03-00	NIPPLE, GREASE	5	
32	61A-82147-20-00	WIRE, LEAD 4	1	X (25.2")
32	61A-82147-30-00	WIRE, LEAD 4	1	U (30.2")
33	6G5-43144-00-00	HOOK, SPRING	1	
34	97095-06010-00	BOLT	1	
35	61A-43181-01-00	LEVER, TILT STOP 1	1	
36	6G5-43185-02-00	LEVER, TILT STOP 2	1	
37	90386-10M16-00	BUSH	4	
38	6G5-43148-00-00	COLLAR, DISTANCE	2	

CONTINUED ON NEXT FRAME >

BRACKET 1



Ref No.	Part Number	Description	Qty	Remarks
39	90249-06M19-00	PIN	1	
40	90387-10M02-00	COLLAR	1	
41	91690-30020-00	PIN, SPRING	2	
42	90506-16003-00	SPRING, TENSION	1	
43	6E5-43126-02-00	PIN, UPPER SHOCK MOUNT	1	
44	90386-18M63-00	BUSH	2	
45	90386-18M14-00	BUSH	2	
46	93410-18M02-00	CIRCLIP	1	
47	90101-12M05-00	BOLT (L:130MM)	4	UR
47	90101-12M77-00	BOLT (L:150MM)	2	UR
48	90201-13M01-00	WASHER, PLATE	8	
49	90201-12M05-00	WASHER, PLATE	4	
50	95380-12600-00	NUT	8	