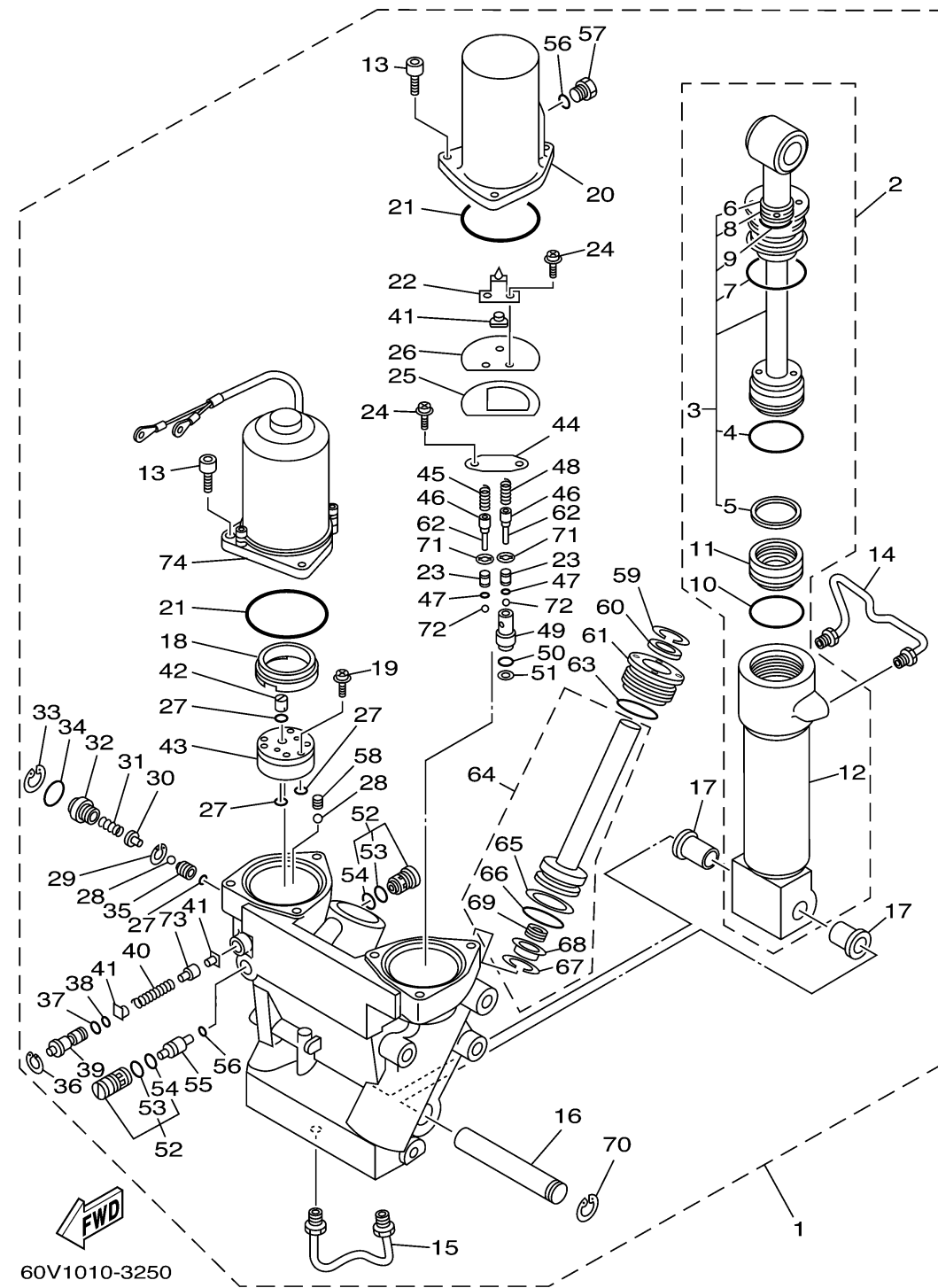


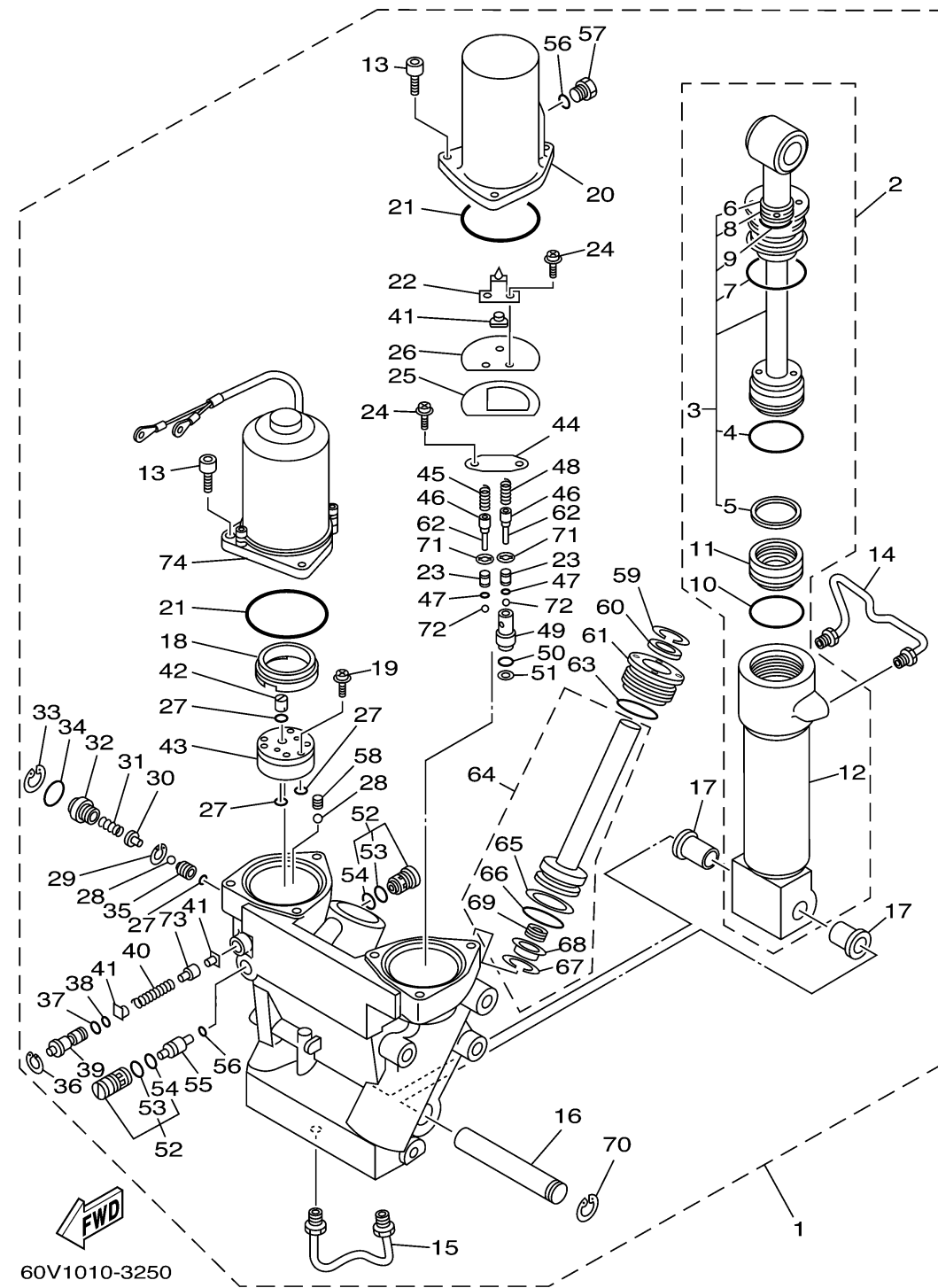
POWER TRIM TILT ASSY 1



Ref No.	Part Number	Description	Qty	Remarks
1	60V-43800-00-4D	POWER TRIM & TILT ASSY	1	
2	61A-43840-01-00	..POWER TILT ASSY	1	
3	61A-43810-00-00	...TILT PISTON SUB ASSY	1	
4	61A-43861-00-00	... O-RING	1	
5	61A-43871-00-00RING, BACK UP	1	
6	93106-19N50-00OIL SEAL	1	
7	6H1-43861-00-00O-RING	1	
8	6H1-43872-00-00RING, BACK UP	1	
9	61A-4389H-00-00O-RING	1	
10	61A-43861-00-00	.. O-RING	1	
11	6H1-43814-00-00	...PISTON, FREE	1	
12	61A-43813-01-00	...CYLINDER, TILT	1	
13	69J-43888-00-00	. BOLT, SOCKET	6	
14	61A-43835-01-00	. PIPE	1	
15	61A-43833-01-00	..PIPE	1	
16	61A-43818-00-00	. PIN, LOWER SHOCK MOUNT	1	
17	90386-18M14-00	. BUSH	2	
18	6H1-43817-00-00	..FILTER 2	1	
19	97602-04230-00	..SCREW, PAN HEAD WITH WASHER	3	
20	69J-43828-00-00	. BODY, RESERVOIR	1	

CONTINUED ON NEXT FRAME >

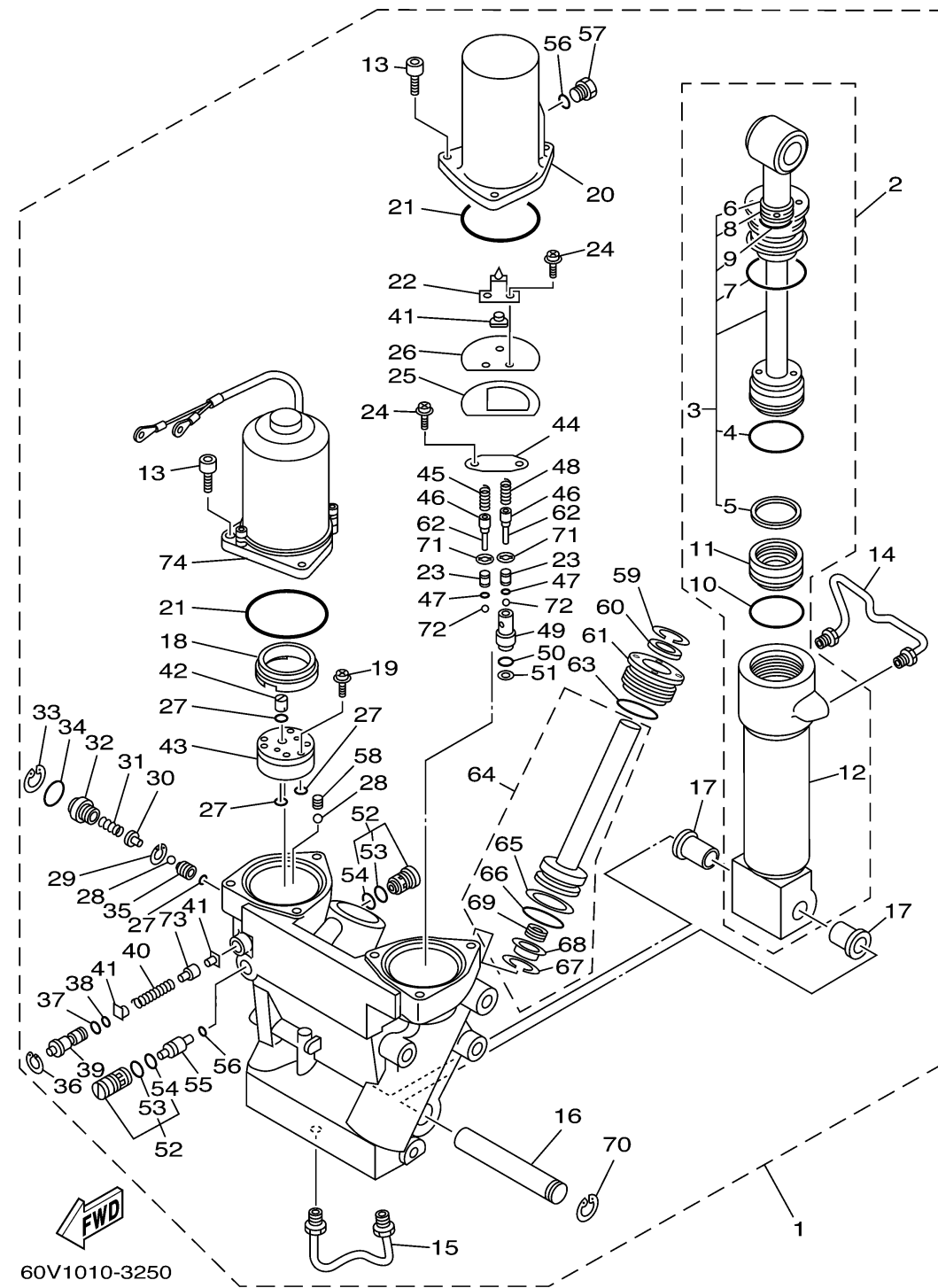
POWER TRIM TILT ASSY 1



Ref No.	Part Number	Description	Qty	Remarks
21	6H1-43869-00-00	. O-RING	2	
22	61A-4384L-00-00	. .SPRING, TRIM DOWN	1	
23	6T4-43851-00-00	. .SEAT, RELIEF VALVE	2	
24	97602-05210-00	. .SCREW, PAN HEAD WITH WASHER	4	
25	61A-4384K-00-00	. .PLATE, TRIM DOWN	1	
26	61A-4384J-00-00	. .SEAL, TRIM DOWN	1	
27	93210-064A5-00	. .O-RING	4	
28	93505-32038-00	. .BALL	2	
29	61A-43875-00-00	. .RING, SNAP	1	
30	61A-43848-00-00	. .ROD, MANUAL RELEASE	1	
31	61A-43854-00-00	. .SPRING, MANUAL RELEASE	1	
32	61A-43845-00-00	. .SCREW, MANUAL RELEASE	1	
33	6H1-43875-00-00	. .RING, SNAP	1	
34	93210-18397-00	. O-RING	1	
35	61A-43847-00-00	. .SEAT, MANUAL VALVE	1	
36	6T4-43876-00-00	. .RING, SNAP	1	
37	93210-07003-00	. O-RING	1	
38	93210-06001-00	. .O-RING	1	
39	6T4-43849-00-00	. .PIN, VALVE SUPPORT	1	
40	61A-4385H-00-00	. .SPRING, SEAL	1	

CONTINUED ON NEXT FRAME >

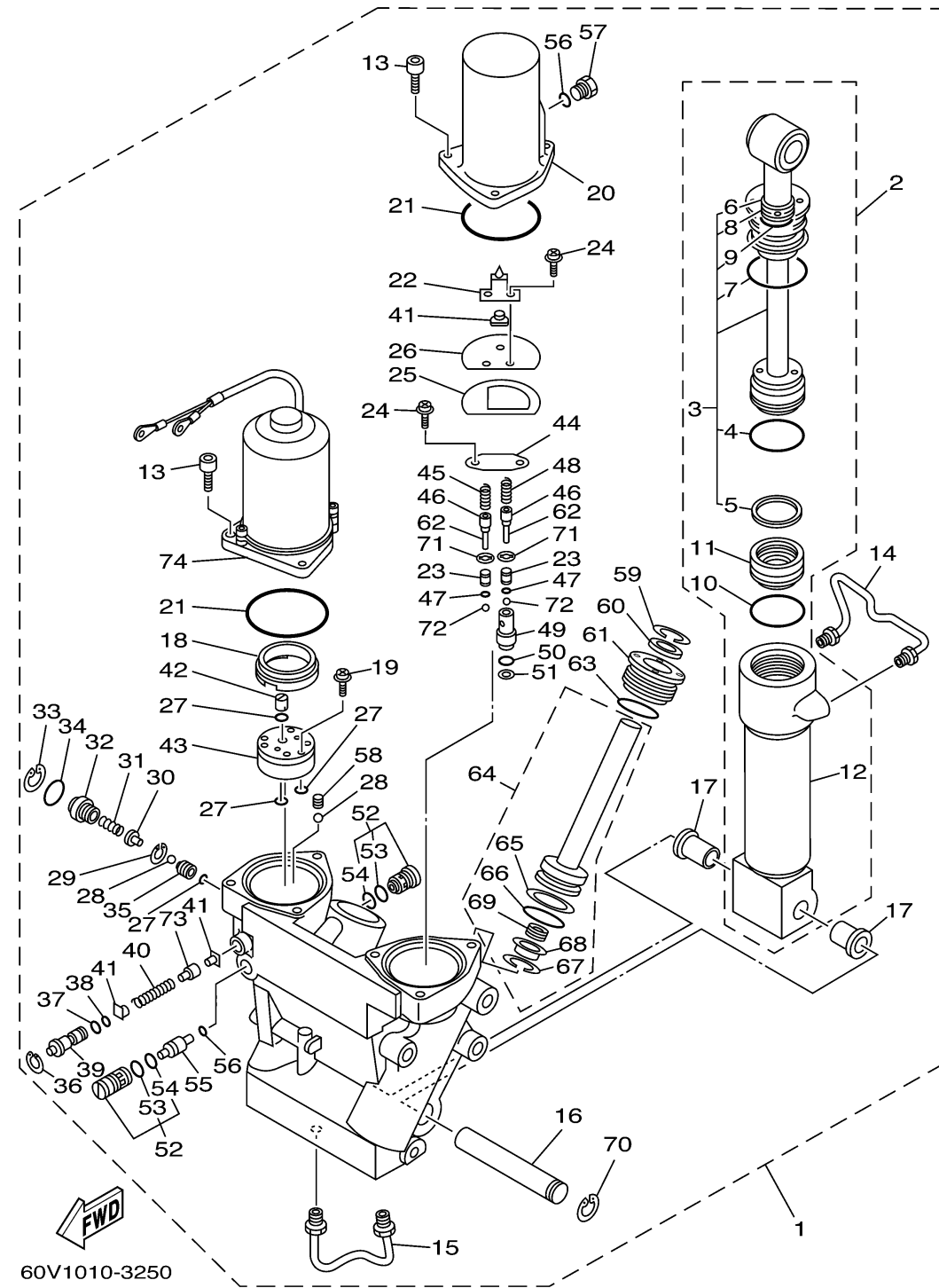
POWER TRIM TILT ASSY 1



Ref No.	Part Number	Description	Qty	Remarks
41	61A-4384F-00-00	. .SEAL, MAIN VALVE	3	
42	6H1-43831-00-00	. .CONNECTOR, SHAFT	1	
43	6T4-43830-00-00	. .GEAR PUMP ASSY	1	
44	61A-4382K-00-00	. .CAP, RELIEF VALVE	1	
45	6H1-43856-10-00	. .SPRING, DOWN RELIEF	1	
46	6T4-43844-00-00	. .PIN, VALVE SUPPORT	2	
47	6T4-4384G-00-00	. .SEAL, RELIEF VALVE	2	
48	6T4-43855-00-00	. .SPRING, UP RELIEF	1	
49	6T4-43895-00-00	. .SEAT, RELIEF VALVE	1	
50	93210-10M74-00	. O-RING	1	
51	6H1-43816-00-00	. FILTER 1	1	
52	6T4-43802-03-00	. .VALVE SUB ASSY	2	
53	6H1-43866-00-00O-RING	1	
54	6H1-43867-00-00O-RING	1	
55	6T4-43841-00-00	. .PISTON, SHUTTLE	1	
56	93210-09165-00	. O-RING	2	
57	6H1-43829-00-00	. .PLUG, RESERVOIR	1	
58	61A-43878-00-00	. .BOLT, SOCKET	1	
59	6T4-43875-01-00	. .RING, SNAP	2	
60	61A-43822-00-00	. .SEAL, TRIM DUST	2	

CONTINUED ON NEXT FRAME >

POWER TRIM TILT ASSY 1



Ref No.	Part Number	Description	Qty	Remarks
61	61A-43821-00-00	. SCREW, TRIM CYLINDER END	2	
62	91609-10014-00	..PIN, SPRING	2	
63	61A-43861-00-00	. O-RING	2	
64	61A-43820-10-00	..TRIM PISTON SUB ASSY	2	
65	61A-43874-00-00	...RING, BACK UP	1	
66	61A-43864-00-00	...O-RING	1	
67	61A-43875-10-00	...RING, SNAP	1	
68	61A-4383H-11-00	...HOSE, OIL 5	1	
69	61A-4384H-10-00	...SPRING	1	
70	61A-43876-00-00	. RING, SNAP	1	
71	6T4-43893-00-00	..WASHER	2	
72	93501-08001-00	..BALL	2	
73	61A-4382A-00-00	..ADAPTOR 1	1	
74	69J-43880-00-00	. MOTOR ASSY	1	REFER TO POWER TRIM & TILT ASSY 2