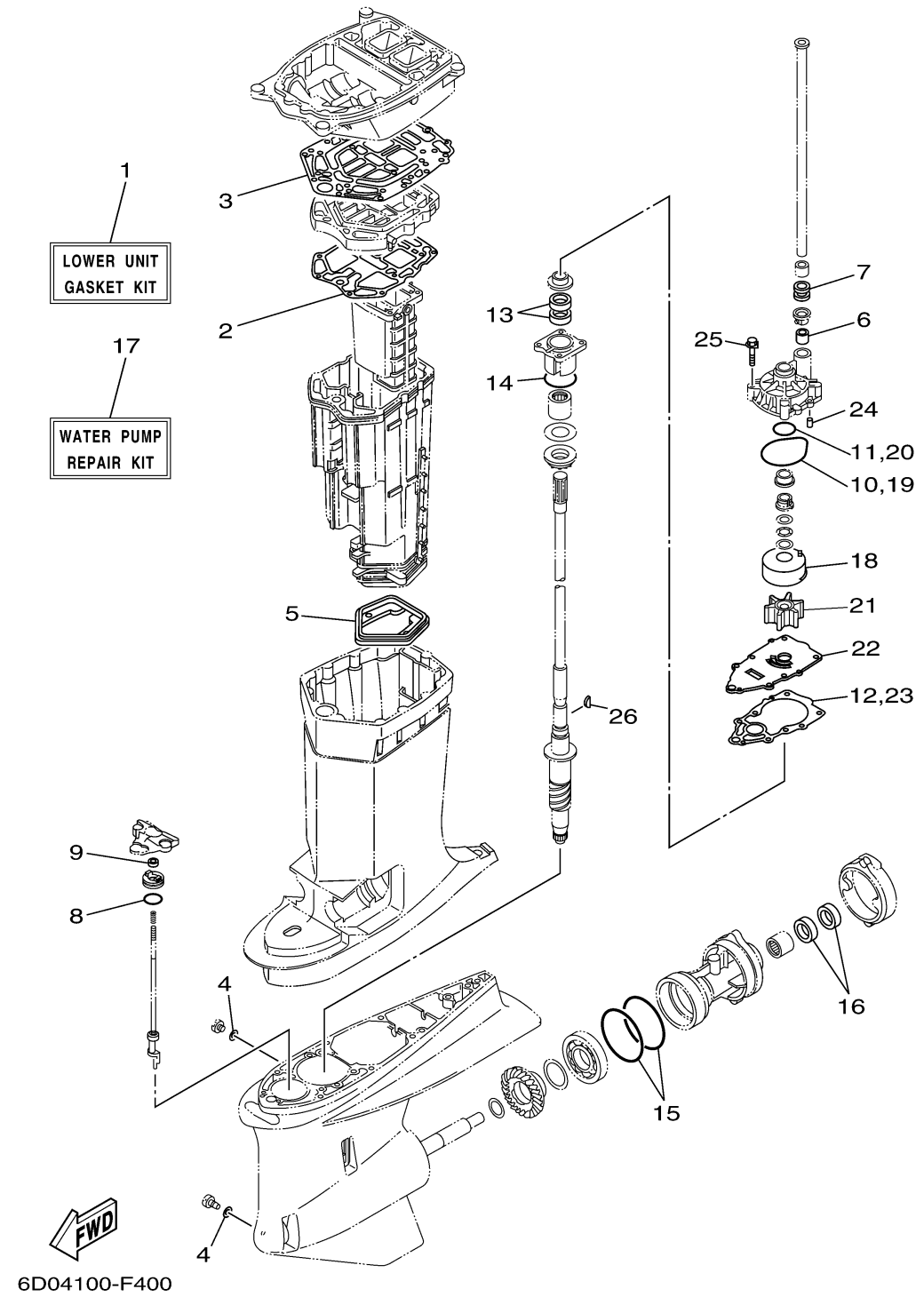


REPAIR KIT 2

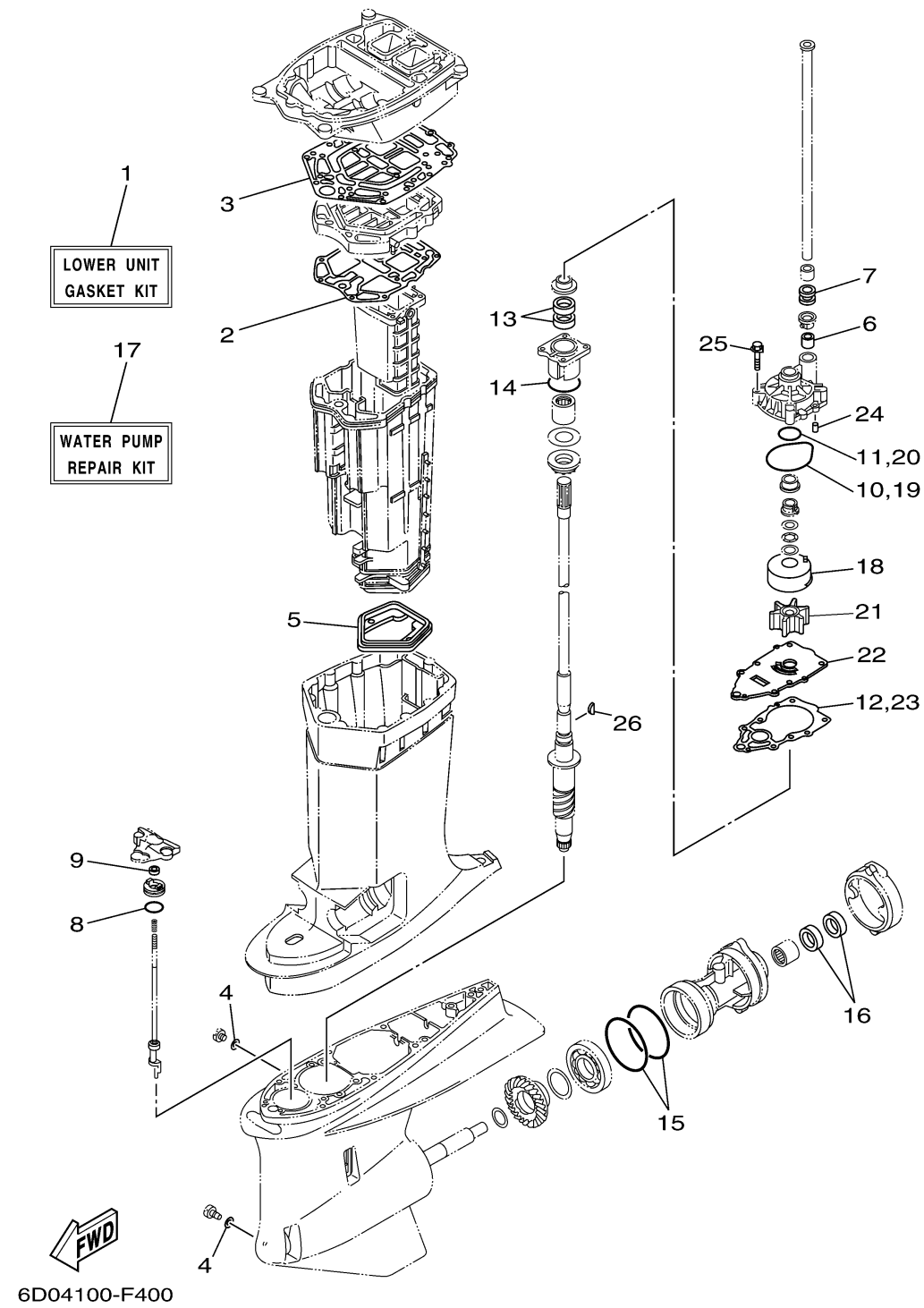


Ref No.	Part Number	Description	Qty	Remarks
1	6D0-W0001-21-00	LOWER UNIT GASKET KIT	1	
2	6D0-41134-00-00	..GASKET, EXHAUST MANIFOLD	1	
3	60V-45114-00-00	..GASKET, UPPER CASING	1	
4	90430-08020-00	..GASKET	2	
5	6D0-45123-00-00	..GASKET, MUFFLER	1	
6	6E5-44365-00-00	..DAMPER, WATER SEAL 1	1	
7	6E5-44366-00-00	..DAMPER, WATER SEAL 2	1	
8	93210-33M49-00	..O-RING	1	
9	93106-09014-00	..OIL SEAL	1	
10	93210-86M38-00	..O-RING	1	
11	93210-37160-00	..O-RING	1	
12	60X-44315-A0-00	..GASKET, WATER PUMP	1	
13	93101-28M16-00	..OIL SEAL	2	
14	93210-55M14-00	..O-RING	1	
15	93211-04384-00	..O-RING	2	
16	93101-30002-00	..OIL SEAL	2	
17	6P2-W0078-00-00	WATER PUMP REPAIR KIT	1	
18	61A-44322-02-00	..INSERT, CARTRIDGE	1	
19	93210-86M38-00	..O-RING	1	
20	93210-37160-00	..O-RING	1	

CONTINUED ON NEXT FRAME >

REPAIR KIT 2

Ref No.	Part Number	Description	Qty	Remarks
21	6E5-44352-01-00	..IMPELLER	1	
22	6P2-44323-00-00	..OUTER PLATE, CARTRIDGE	1	
23	60X-44315-A0-00	..GASKET, WATER PUMP	1	
24	93606-12019-00	..PIN, DOWEL	2	
25	90119-08M14-00	..BOLT, WITH WASHER	4	
26	90280-04M05-00	..KEY, WOODRUFF	1	



Z300TXR 6D0-1003785~1003809

(6D04)

LZ300TXR 6D1-1001809~1001814

(6D14)

ALL THESE MODELS USE THIS SAME PARTS CATALOG.
BE SURE TO ORDER ONLY THOSE PARTS APPLICABLE
TO THE DESIRED MODEL.

MODELS IN THIS CATALOG

Ref No.	Part Number	Description	Qty	Remarks
---------	-------------	-------------	-----	---------