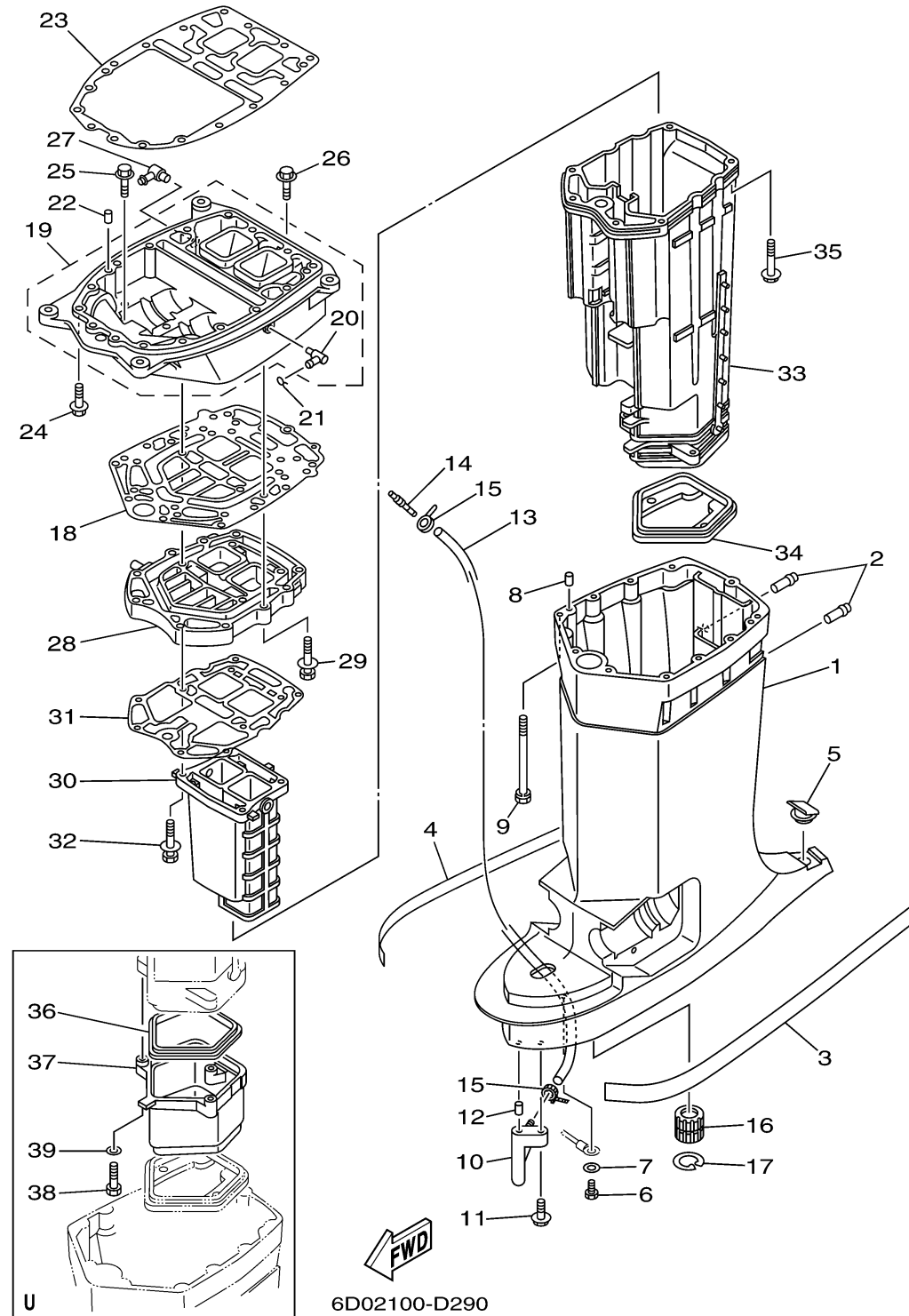


# UPPER CASING

Ref No.	Part Number	Description	Qty	Remarks
1	6D0-45111-20-8D	CASING, UPPER	1	X (25.2")
1	6D0-45111-30-8D	CASING, UPPER	1	U (30.2")
2	6E5-24377-00-00	PIPE, JOINT 2	2	
3	61A-42791-S0-00	MARK 1	1	
4	61A-42792-S0-00	MARK	1	
5	61A-45155-00-00	CAP	1	
6	97095-06010-00	BOLT	1	
7	92995-06600-00	WASHER	1	
8	93608-12M05-00	PIN, DOWEL	2	
9	90119-08052-00	BOLT, WITH WASHER	8	
10	61A-45378-00-00	NIPPLE, HOSE	1	
11	90119-06M17-00	BOLT, WITH WASHER	1	
12	93606-12019-00	.PIN, DOWEL	1	
13	90445-07MF0-00	HOSE (L1030)	1	X (25.2")
13	90445-07M21-00	HOSE (L1160)	1	U (30.2")
14	6E5-83558-00-00	END, NIPPLE	1	
15	90465-11M10-00	CLAMP	2	
16	6E5-45318-00-00	BUSHING, DRIVE SHAFT	1	
17	93420-36M01-00	CIRCLIP	1	
18	60V-45114-00-00	.GASKET, UPPER CASING	1	

CONTINUED ON NEXT FRAME >

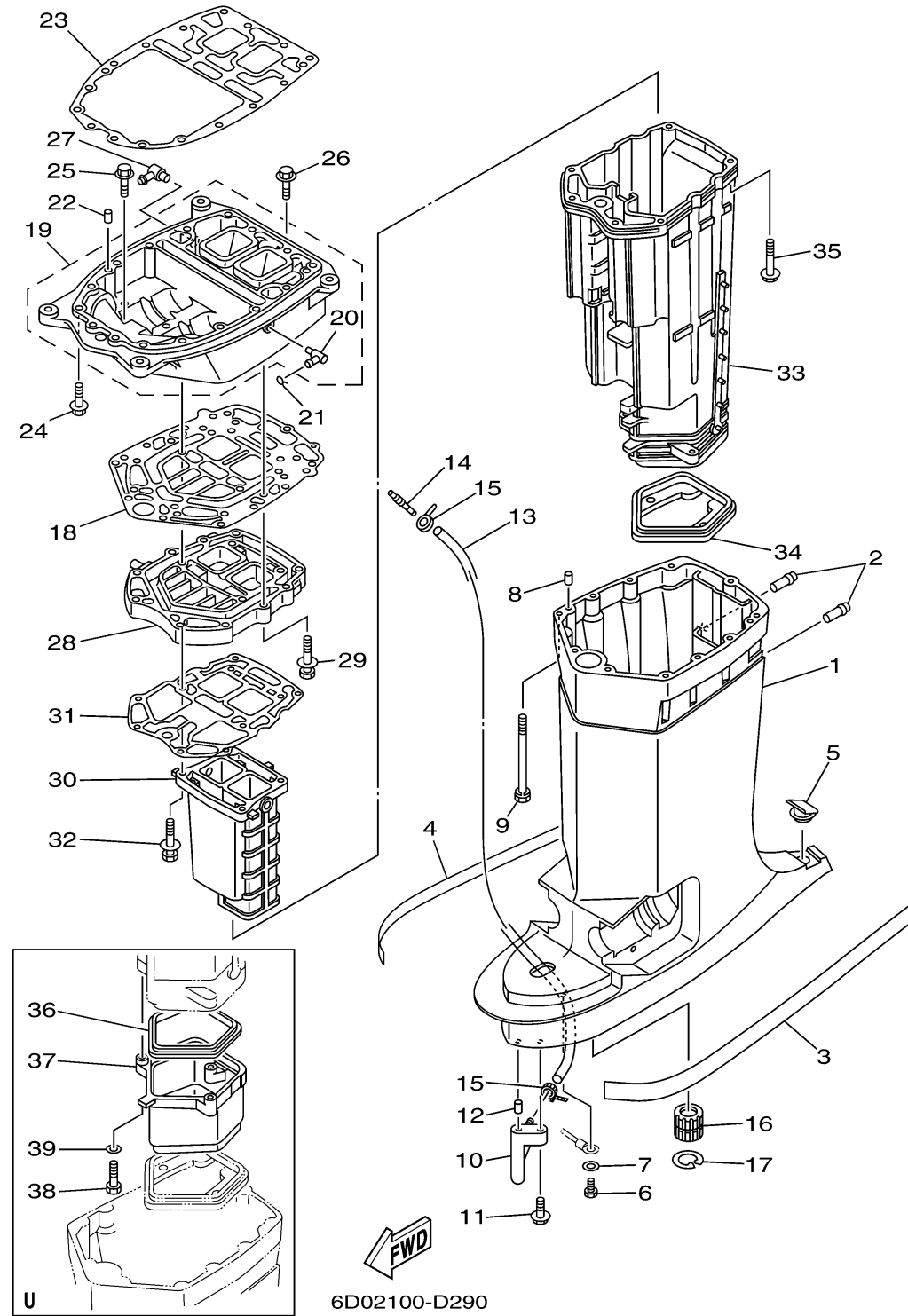
# UPPER CASING



Ref No.	Part Number	Description	Qty	Remarks
19	6D0-41137-01-94	GUIDE, EXHAUST	1	
20	676-11372-00-00	.NIPPLE, HOSE	1	
21	90467-08M18-00	CLIP	1	
22	93608-12M05-00	PIN, DOWEL	2	
23	60V-45113-01-00	.GASKET, UPPER CASING	1	
24	90119-08079-00	BOLT, WITH WASHER	4	
25	90119-08072-00	BOLT, WITH WASHER	4	
26	90119-08060-00	BOLT, WITH WASHER	1	
27	6H1-11372-00-00	.NIPPLE, HOSE	1	
28	6D0-41131-03-5B	MANIFOLD, EXT. 1	1	
29	90119-08056-00	BOLT, WITH WASHER	4	
30	6D0-41132-00-5B	MANIFOLD, EXHAUST	1	
31	6D0-41134-00-00	.GASKET, EXHAUST MANIFOLD	1	
32	90119-08059-00	BOLT, WITH WASHER	4	
33	6D0-14711-20-5B	MUFFLER 1	1	X (25.2")
33	60V-14711-20-5B	MUFFLER 1	1	U (30.2")
34	6D0-45123-00-00	.GASKET, MUFFLER	1	
35	90119-08059-00	BOLT, WITH WASHER	6	
36	61A-45123-01-00	GASKET, MUFFLER	1	U (30.2")
37	6D0-14721-30-5B	MUFFLER 2	1	U (30.2")

CONTINUED ON NEXT FRAME >

# UPPER CASING



Ref No.	Part Number	Description	Qty	Remarks
38	97095-06035-00	BOLT	3	U (30.2")
39	92995-06600-00	WASHER	3	U (30.2")