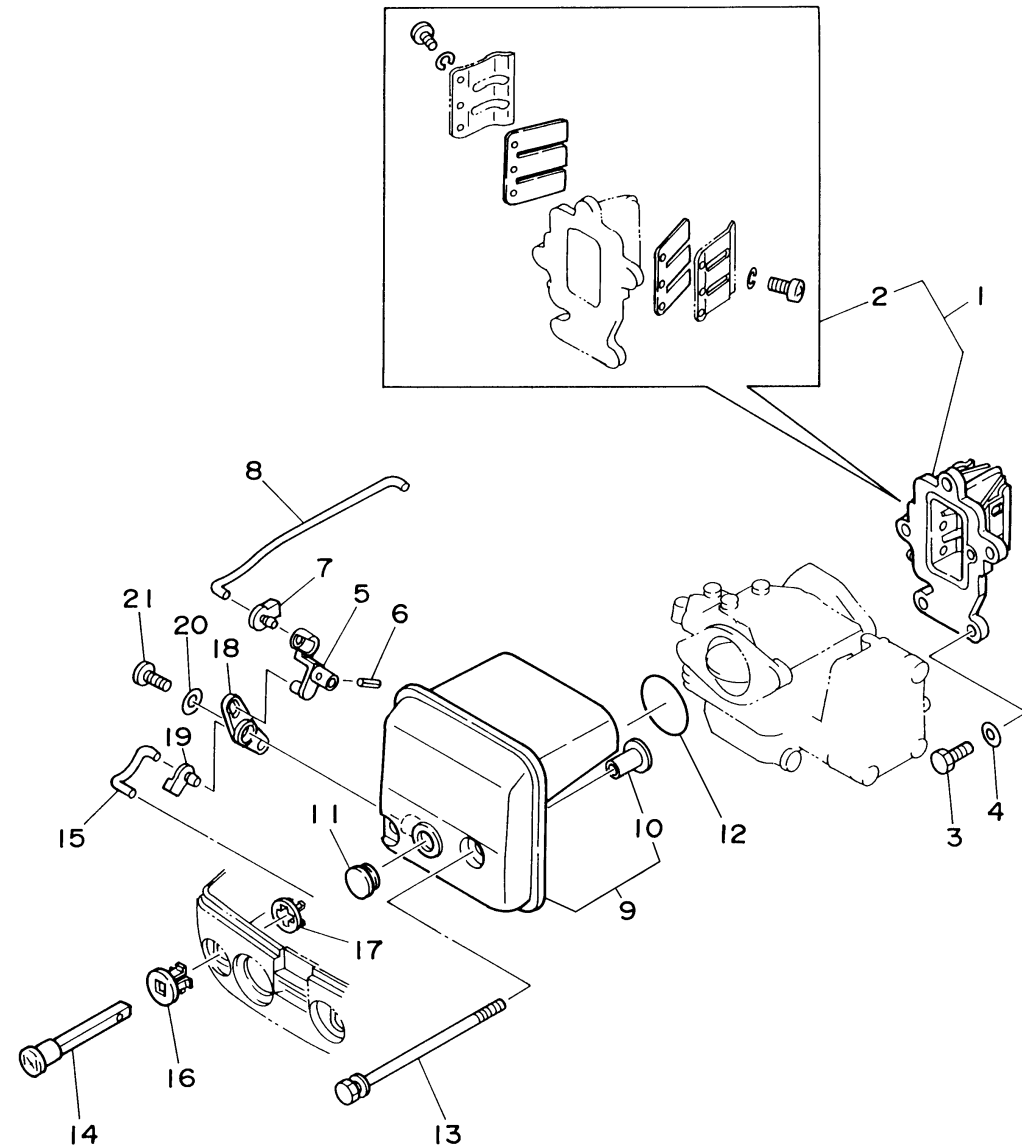


INTAKE



| Ref No. | Part Number | Description | Qty | Remarks |
|---------|-----------------|-----------------------|-----|---------|
| 1 | 63V-13610-00-00 | REED VALVE ASSY | 1 | UR 9.9 |
| 1 | 63W-13610-00-00 | REED VALVE ASSY | 1 | UR 15 |
| 2 | 682-W0004-00-00 | . .REED SET | 1 | |
| 3 | 97095-06020-00 | BOLT | 3 | |
| 4 | 92995-06600-00 | WASHER | 3 | |
| 5 | 63V-41253-00-00 | LEVER, CHOKE | 1 | |
| 6 | 91690-20010-00 | PIN, SPRING | 1 | |
| 7 | 63V-41262-00-00 | JOINT, CHOKE LEVER | 1 | |
| 8 | 63V-41257-00-00 | ROD, CHOKE 2 | 1 | |
| 9 | 63V-14440-00-00 | SILENCER ASSY, INTAKE | 1 | |
| 10 | 90387-06M15-00 | . COLLAR | 2 | |
| 11 | 90480-12M25-00 | GROMMET | 1 | |
| 12 | 93210-35M86-00 | .O-RING | 1 | |
| 13 | 90119-06M94-00 | BOLT, WITH WASHER | 2 | |
| 14 | 6H4-41271-01-00 | KNOB, CHOKE | 1 | |
| 15 | 63V-41256-00-00 | ROD, CHOKE 1 | 1 | |
| 16 | 689-41273-00-00 | GROMMET | 1 | |
| 17 | 6J8-41274-00-00 | GROMMET 2 | 1 | |
| 18 | 63V-41252-00-00 | LEVER, CHOKE 1 | 1 | |
| 19 | 661-41262-02-00 | JOINT, CHOKE LEVER | 1 | |

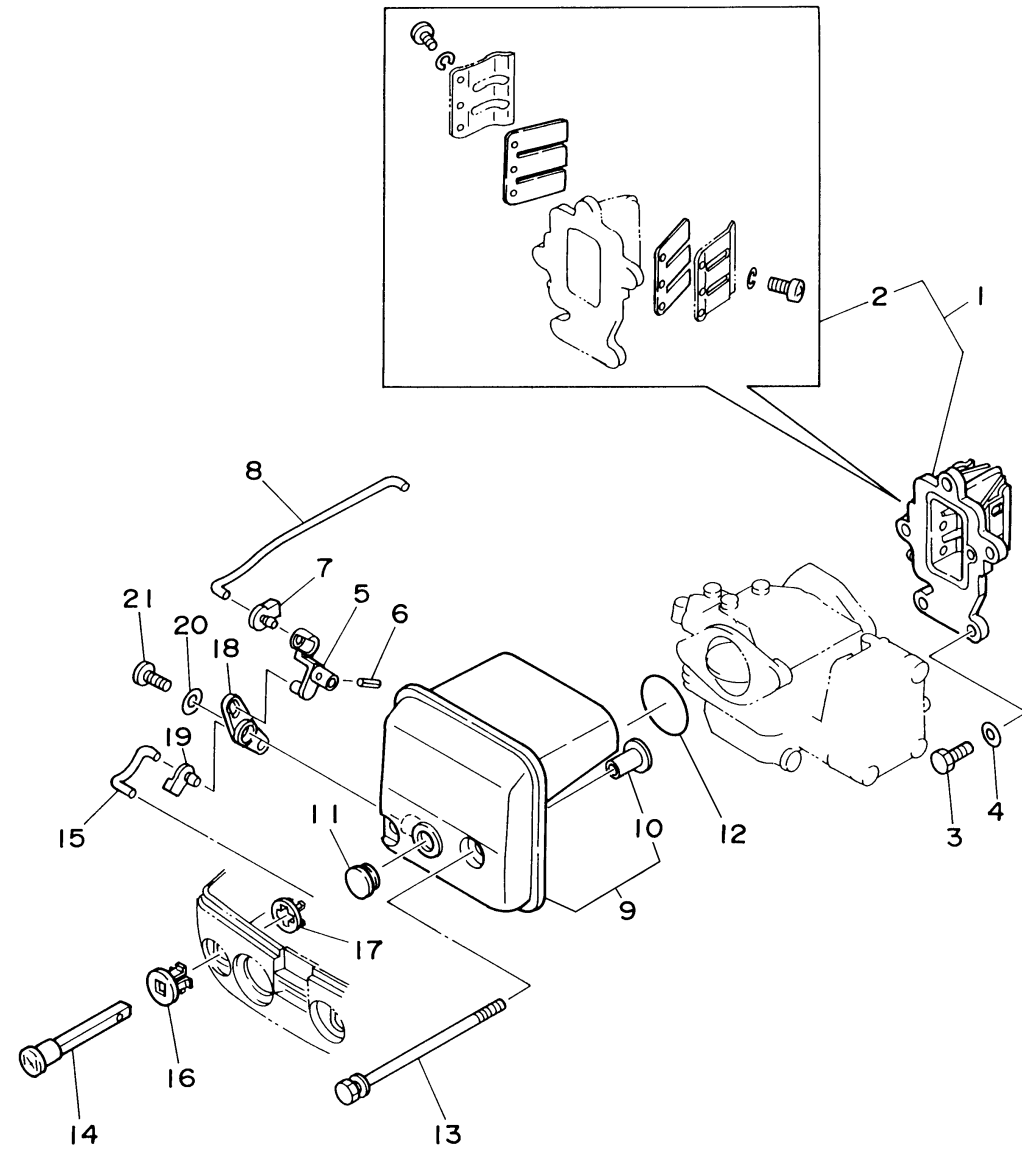
CONTINUED ON NEXT FRAME >



63V0010-5041

INTAKE

| Ref No. | Part Number | Description | Qty | Remarks |
|---------|----------------|----------------|-----|---------|
| 20 | 90201-05M09-00 | WASHER, PLATE | 1 | |
| 21 | 90164-05M03-00 | SCREW, TAPPING | 1 | |



63V0010-5041